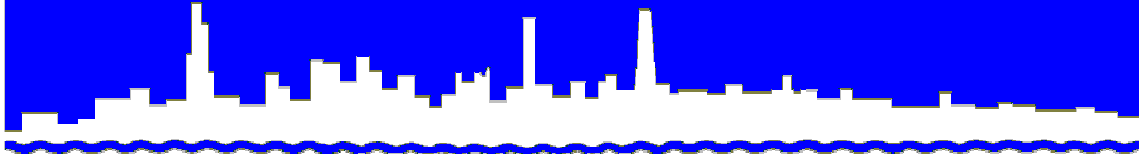


Protecting Our Water Environment



Metropolitan Water Reclamation District of Greater Chicago

***MONITORING AND RESEARCH
DEPARTMENT***

REPORT NO. 09-51

MONTHLY CONTROLLED SOLIDS

DISTRIBUTION REPORT

MAY 2009

AUGUST 2009

Metropolitan Water Reclamation District of Greater Chicago

100 EAST ERIE STREET CHICAGO, ILLINOIS 60611-3154 312.751.5190

Louis Kollias, P.E., BCEE
Director of Monitoring and Research
louis.kollias@mwr.org

August 17, 2009

Mr. S. Alan Keller, P.E.
Manager, Permit Section
Illinois Environmental
Protection Agency
1021 North Grand Avenue East
P.O. Box 19276
Springfield, IL 62794-9276

Dear Mr. Keller:

Subject: Metropolitan Water Reclamation District of Greater Chicago – Revised Controlled Solids Distribution Program IEPA Permit No. 2005-SC-3793, May 2009

This letter transmits information and data for the Metropolitan Water Reclamation District of Greater Chicago - Controlled Solids Distribution Program for May 2009, as required by Illinois Environmental Protection Agency Permit No. 2005-SC-3793

Sludge flow schematic diagrams for solids processed during May 2009 are shown in Figure 1 - John E. Egan Water Reclamation Plant (WRP), Figure 2 - Calumet WRP, and Figure 3 - Stickney WRP.

Biosolids were distributed to one site in May. The user information report for that site is presented in Table 1, and the analyses of composited biosolids delivered to this site is presented in Table 2.

Very truly yours,

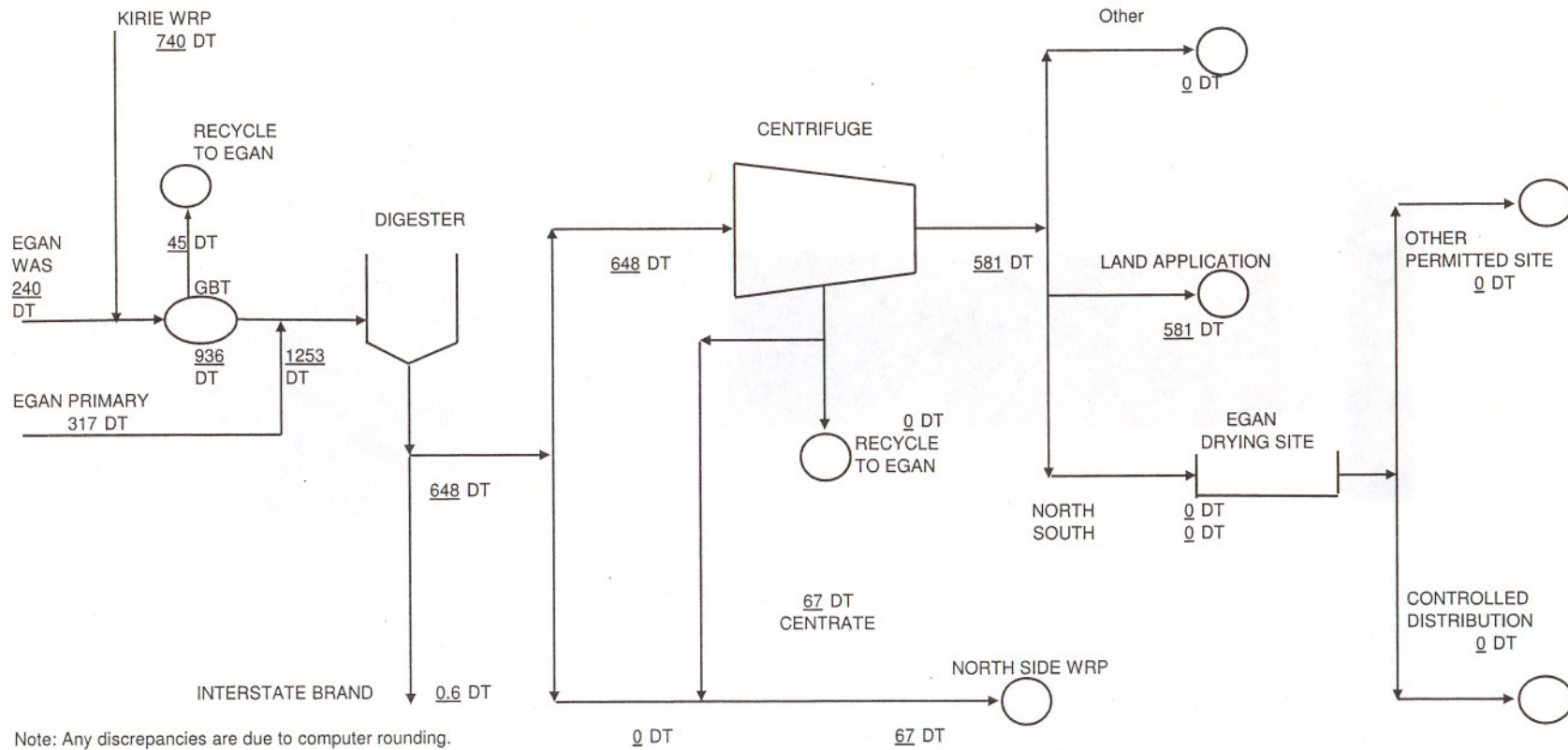
Louis Kollias
Director
Monitoring and Research

LK:KK:kq
Attachments
cc: Aistars (USEPA)
Sulski (IEPA)
Sobanski

J.E. EGAN WRP SOLIDS DISTRIBUTION-

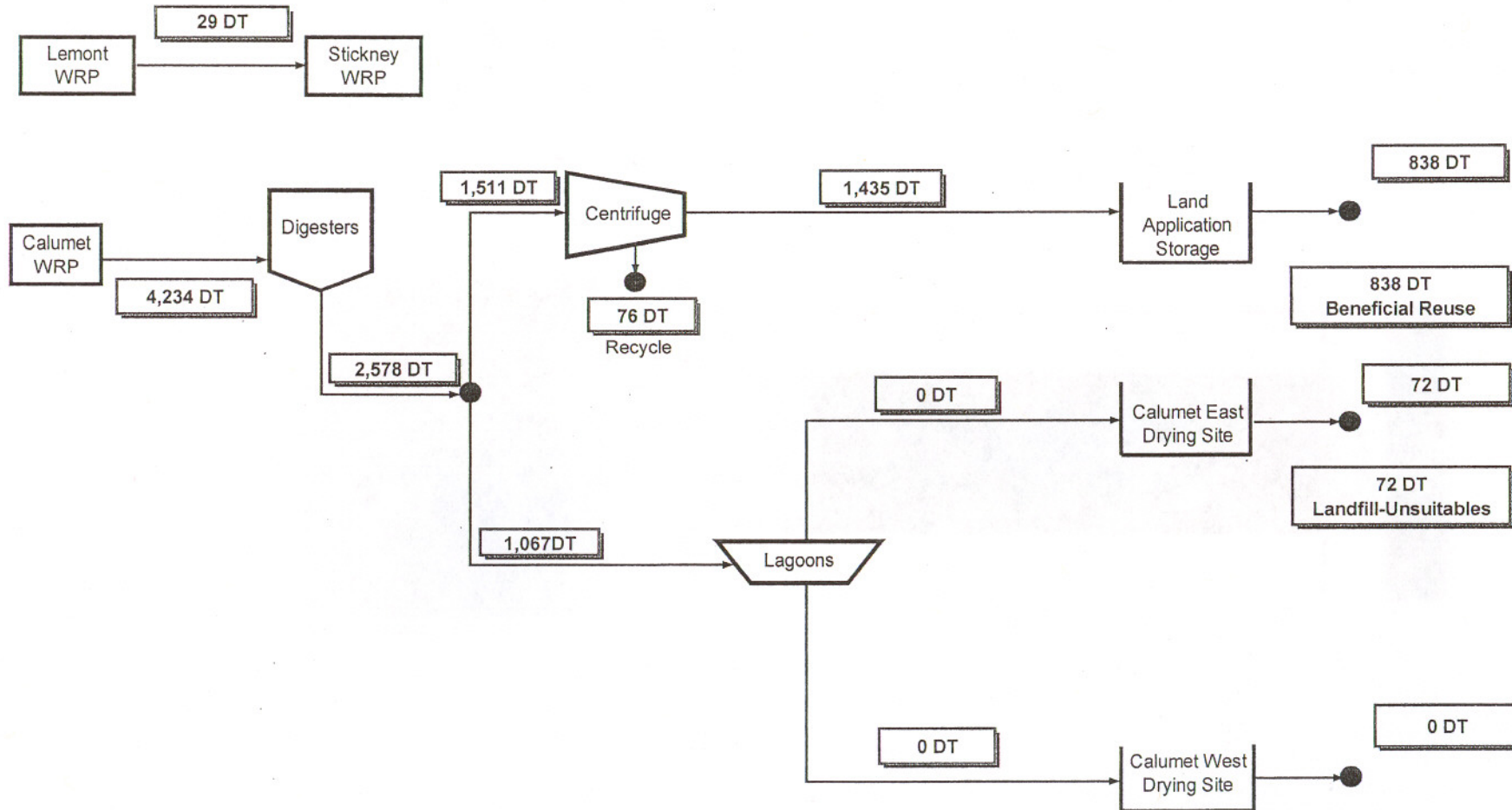
May-09

FIGURE 1



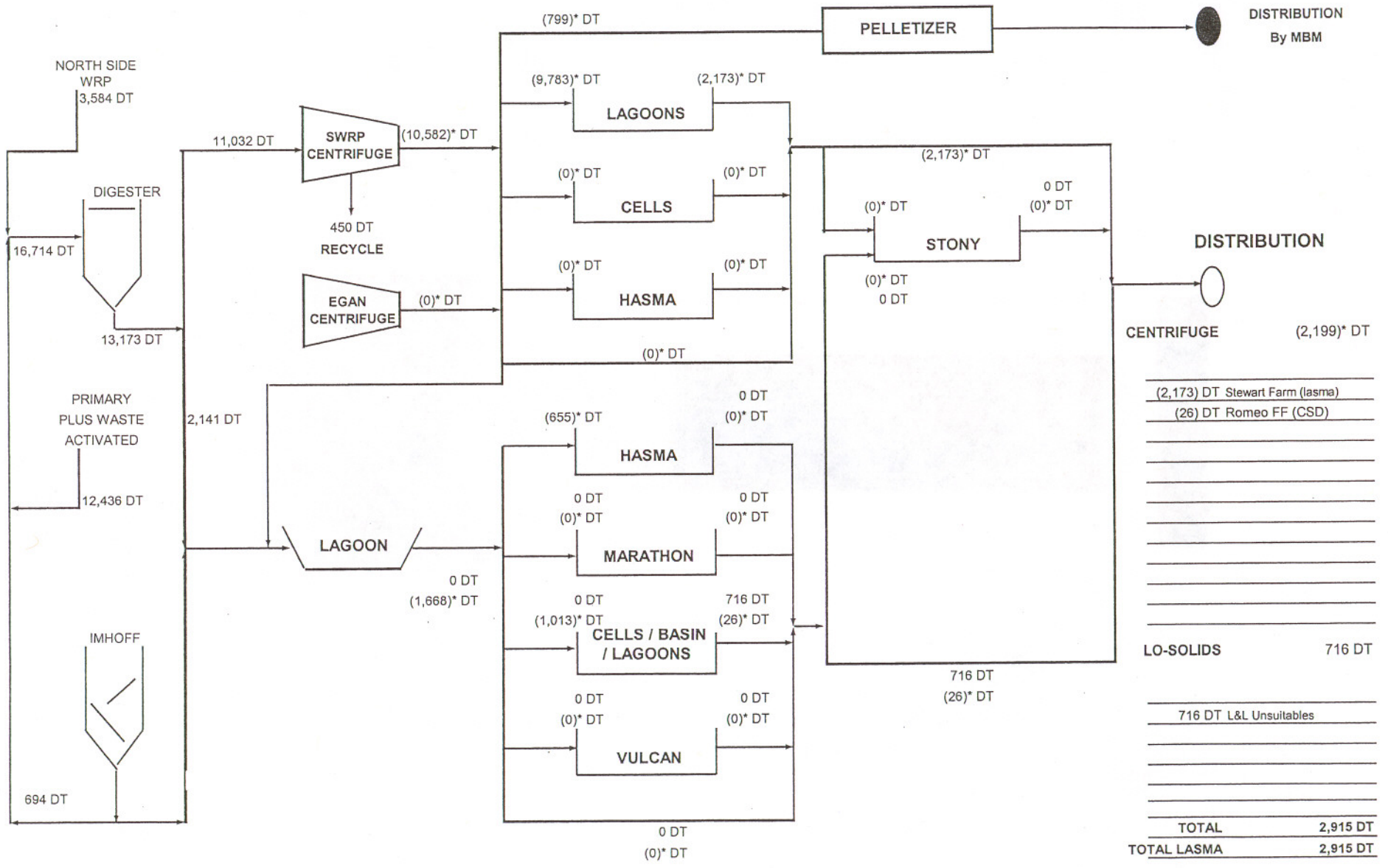
CALUMET WRP SOLIDS DISTRIBUTION - May 2009

Figure 2



STICKNEY WATER RECLAMATION PLANT SOLIDS DISTRIBUTION FOR MAY 2009

Figure 3



(CENTRIFUGE CAKE)*

jg 7/28/09

TABLE 1: CONTROLLED SOLIDS DISTRIBUTION PROGRAM USER INFORMATION REPORT
FOR AGITATION-DRIED ANAEROBICALLY DIGESTED SOLIDS

No.	Name and Address of User	Source	Dates	Quantity (dry tons)		Biosolids Use	Application		Analysis
				May 2009	Cumulative 2009		Area (acres)	Rate (tons/acre)	
1.	Romeoville Park District Football 900 West Romeo Road Romeoville, IL 60446	Stickney WRP- LASMA drying area	28	26.0	26.0	Fertilizer topdressing for football fields	2	13.0	Table 2

TABLE 2: ANALYSIS¹ OF DIGESTED BIOSOLIDS APPLIED TO LAND LOCATED AT 900 WEST ROMEO ROAD, ROMEOVILLE, IL., FROM THE STICKNEY WATER RECLAMATION PLANT LASMA DRYING AREA DURING MAY 2009

Constituent	Units	Concentration
pH		6.2
Total Solids	%	58.5
Total Volatile Solids	"	38.8
Volatile Acids as Acetic Acid	mg/dry kg	159
Total Kjeldahl-N	"	22,890
NH ₃ -N	"	1,478
Total P	"	21,327
K	"	2,423
Cd	"	4.7
Cr	"	181
Cu	"	460
Pb	"	164
Hg	"	1.36
Mo	"	11.8
As	"	<10.0
Mn	"	540
Ni	"	48.3
Se	"	<8.0
Zn	"	1,092

¹Results based on one sample.