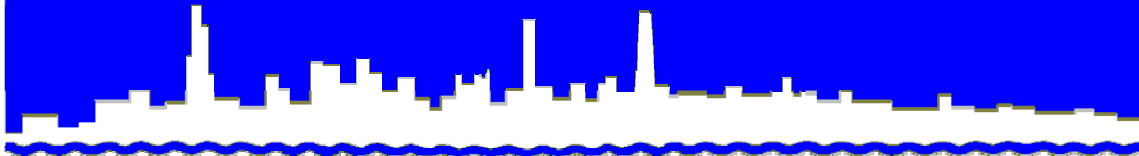


Protecting Our Water Environment



Metropolitan Water Reclamation District of Greater Chicago

***RESEARCH AND DEVELOPMENT
DEPARTMENT***

REPORT NO. 08-35

MONTHLY CONTROLLED SOLIDS

DISTRIBUTION REPORT

FEBRUARY 2008

June 2008

Metropolitan Water Reclamation District of Greater Chicago

100 EAST ERIE STREET CHICAGO, ILLINOIS 60611-3154 312-751-5600

Louis Kollias, P.E., BCEE
Director of Research and Development

312-751-5190

June 25, 2008

Mr. S. Alan Keller, P.E.
Manager, Permit Section
Illinois Environmental
Protection Agency
1021 North Grand Avenue East
P.O. Box 19276
Springfield, IL 62794-9276

Dear Mr. Keller:

Subject: Metropolitan Water Reclamation District of Greater Chicago – Controlled Solids
Distribution Program IEPA Permit No. 2005-SC-3793, February 2008

This letter transmits information and data for the Metropolitan Water Reclamation District of Greater Chicago - Controlled Solids Distribution Program for February 2008, as required by Illinois Environmental Protection Agency Permit No. 2005-SC-3793.

Flow schematic diagrams for solids processed during February 2008 are shown in Figure 1 - John E. Egan Water Reclamation Plant (WRP), Figure 2 - Calumet WRP, and Figure 3 - Stickney WRP.

No biosolids were distributed to any site in February 2008.

Very truly yours,

Louis Kollias
Director
Research and Development

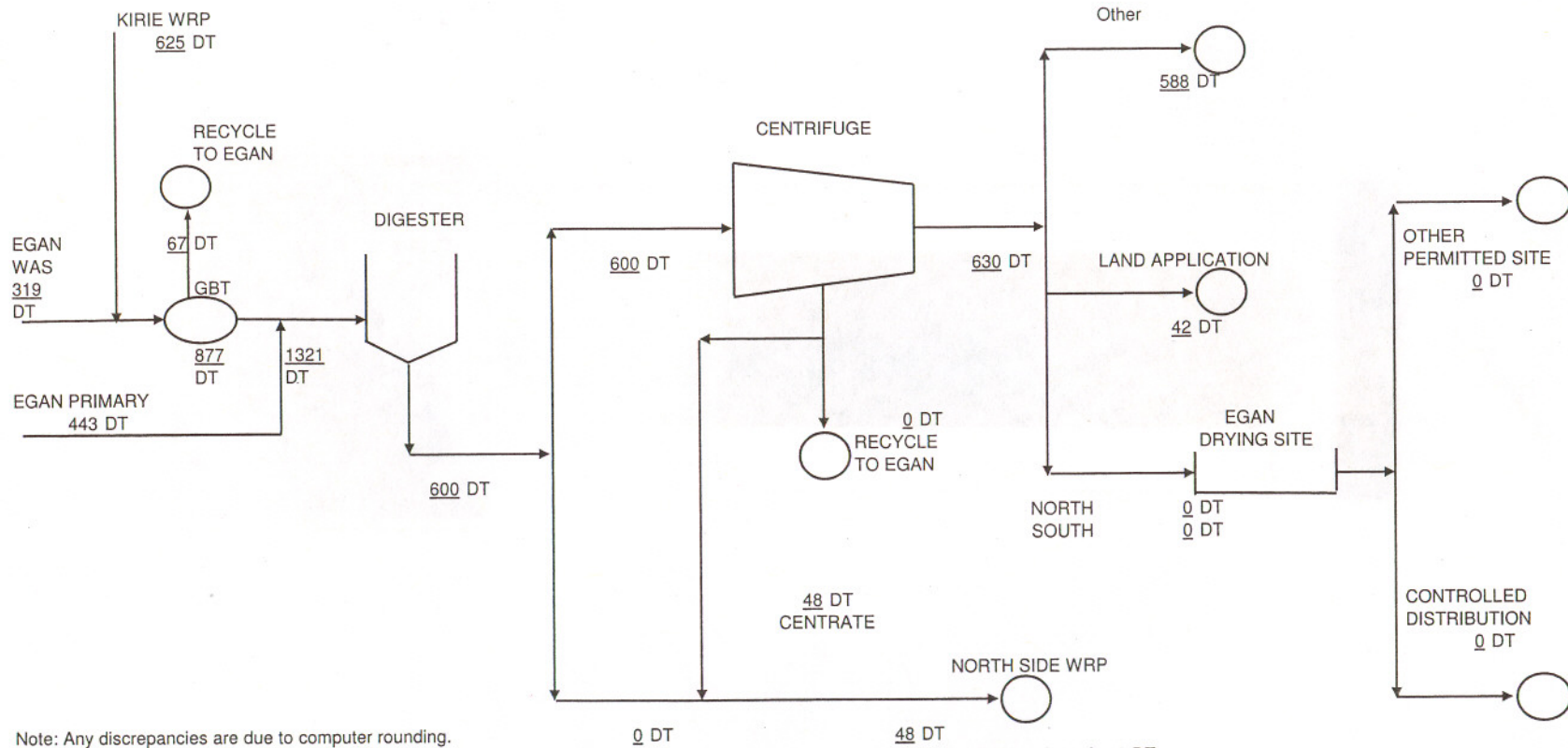
LK:KK:kq

Attachments

cc w/att.: Aistars (USEPA)
Sulski (IEPA)
Sobanski
Granato/O'Connor/Cox
cc wo/att: Garelli/Conway
Sharma /Patel, Sanjay
Collins

J.E. EGAN WRP SOLIDS DISTRIBUTION- FIGURE 1

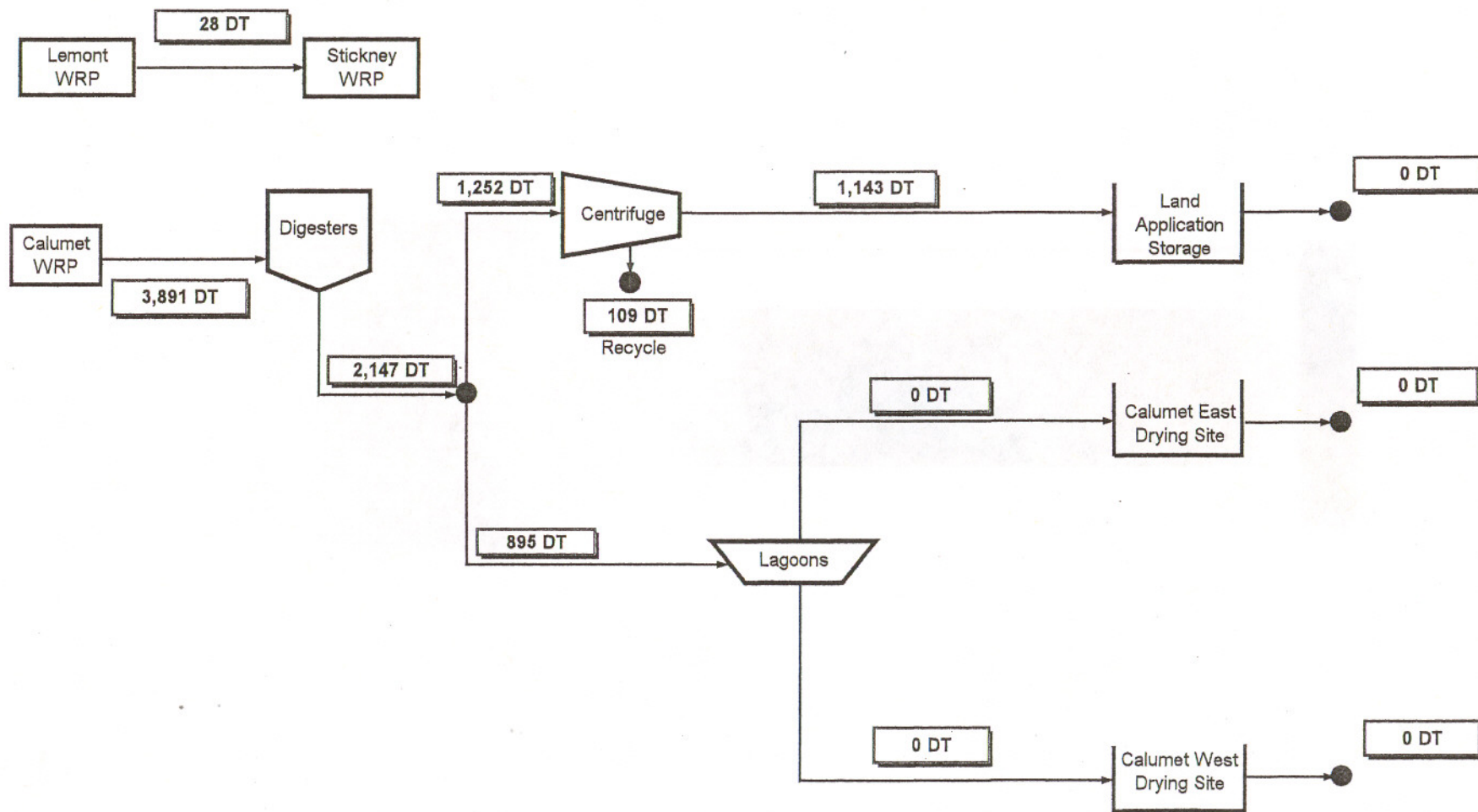
February-08



Note: Any discrepancies are due to computer rounding.
Centrifuge draw DT exceeds Centrifuge feed DT by 30 DT because of sample anomalies. Centrate DT are estimated to be approximately 48 DT.

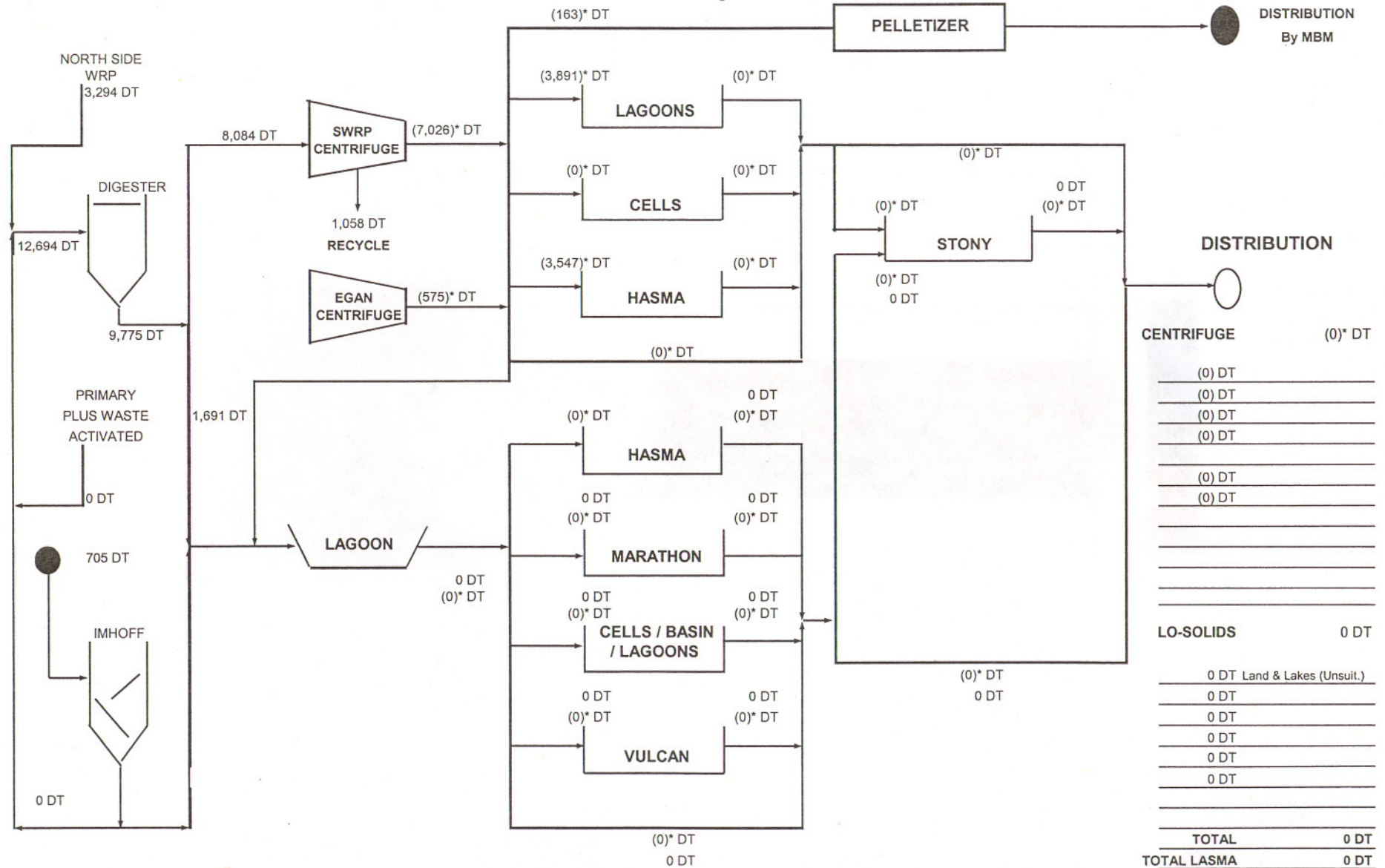
CALUMET WRP SOLIDS DISTRIBUTION - February 2008

Figure 2



STICKNEY WATER RECLAMATION PLANT SOLIDS DISTRIBUTION FOR FEBRUARY 2008

Figure 3



(CENTRIFUGE CAKE)*

jg 6/16/08