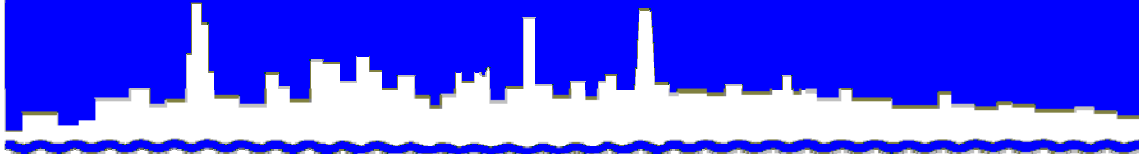


Protecting Our Water Environment



Metropolitan Water Reclamation District of Greater Chicago

***RESEARCH AND DEVELOPMENT
DEPARTMENT***

REPORT NO. 07-68

MONTHLY CONTROLLED SOLIDS

DISTRIBUTION REPORT

AUGUST 2007

NOVEMBER 2007

Metropolitan Water Reclamation District of Greater Chicago

100 EAST ERIE STREET CHICAGO, ILLINOIS 60611-3154 312-751-5600

Louis Kollias, P.E., BCEE
Director of Research and Development
312-751-5190

November 9, 2007

Mr. S. Alan Keller, P.E.
Manager, Permit Section
Illinois Environmental
Protection Agency
1021 North Grand Avenue East
P.O. Box 19276
Springfield, IL 62794-9276

Dear Mr. Keller:

Subject: Metropolitan Water Reclamation District of Greater Chicago – Controlled Solids Distribution Program IEPA Permit No. 2005-SC-3793, August 2007

This letter transmits information and data for the Metropolitan Water Reclamation District of Greater Chicago (District) - Controlled Solids Distribution Program for August 2007, as required by Illinois Environmental Protection Agency Permit No. 2005-SC-3793.

Sludge flow schematic diagrams for solids processed during August 2007 are shown in Figure 1 - John E. Egan Water Reclamation Plant (WRP), Figure 2 - Calumet WRP, and Figure 3 - Stickney WRP.

Biosolids were distributed to three sites in August. The user information report for Moody Bible Institute, 820 N. LaSalle Blvd., Chicago is presented in Table 1, and the analysis of composited biosolids delivered in August to that site is presented in Table 2.

The user information report for Campton Hills Park, Intersection of Campton Hills Drive and Peck Road, St. Charles Park District, St. Charles is presented in Table 3, and the analysis of composited biosolids delivered in August to that site is presented in Table 4.

Mr. S. Alan Keller

2

November 9, 2007

Subject: Metropolitan Water Reclamation District of Greater Chicago – Controlled Solids Distribution Program IEPA Permit No. 2005-SC-3793, August 2007

The user information report for White Pines Golf Club, 500 W. Jefferson Street, Bensenville is presented in Table 5, and the analysis of composited biosolids delivered in August to that site is presented in Table 6.

Very truly yours,

Louis Kollias
Director
Research and Development

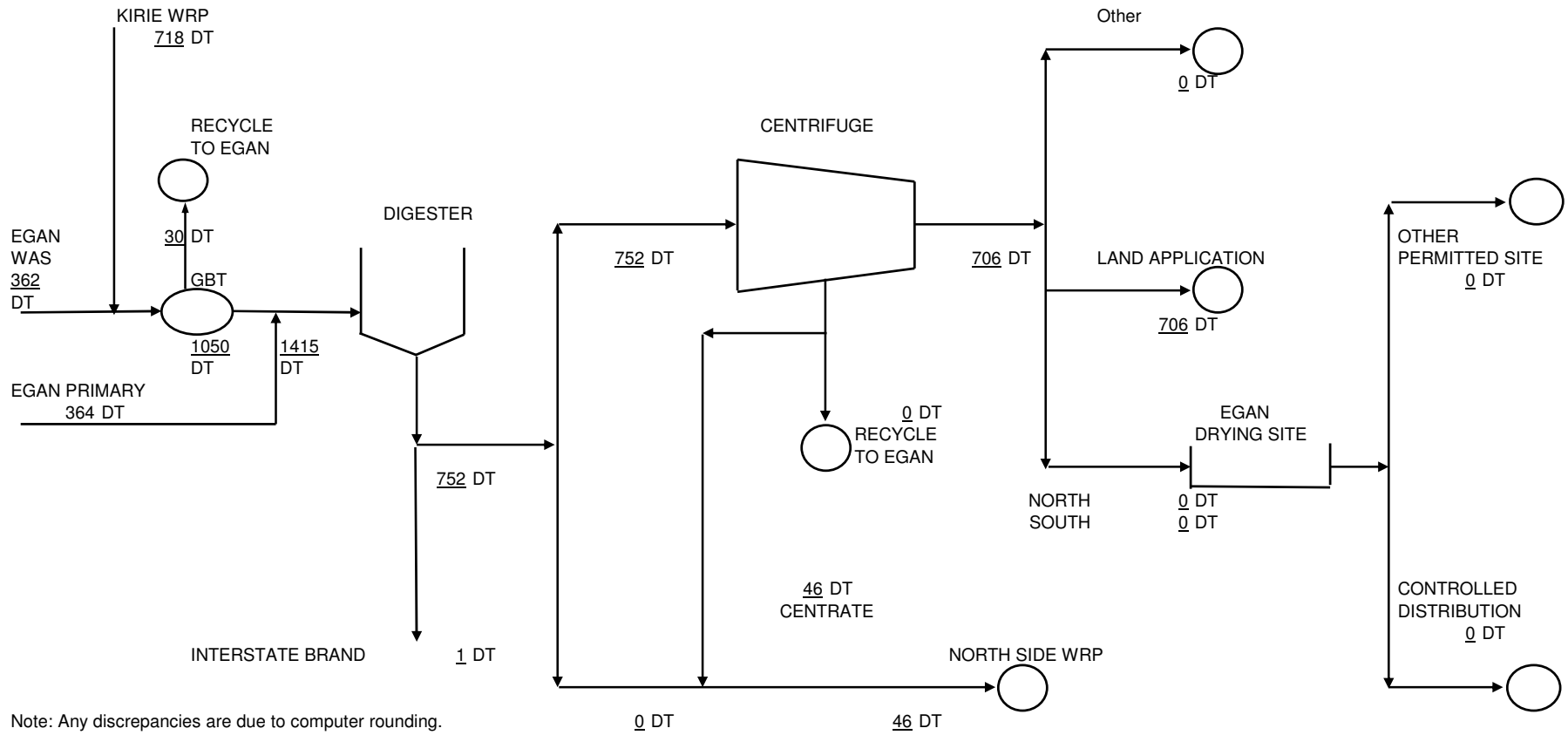
LK:KK:spy

Attachments

cc w/att.: Aistars (USEPA)
Sulski (IEPA)
Sobanski
Granato/O'Connor/Cox
cc wo/att: Garelli/Conway
Sharma /Ford
Frost/Collins

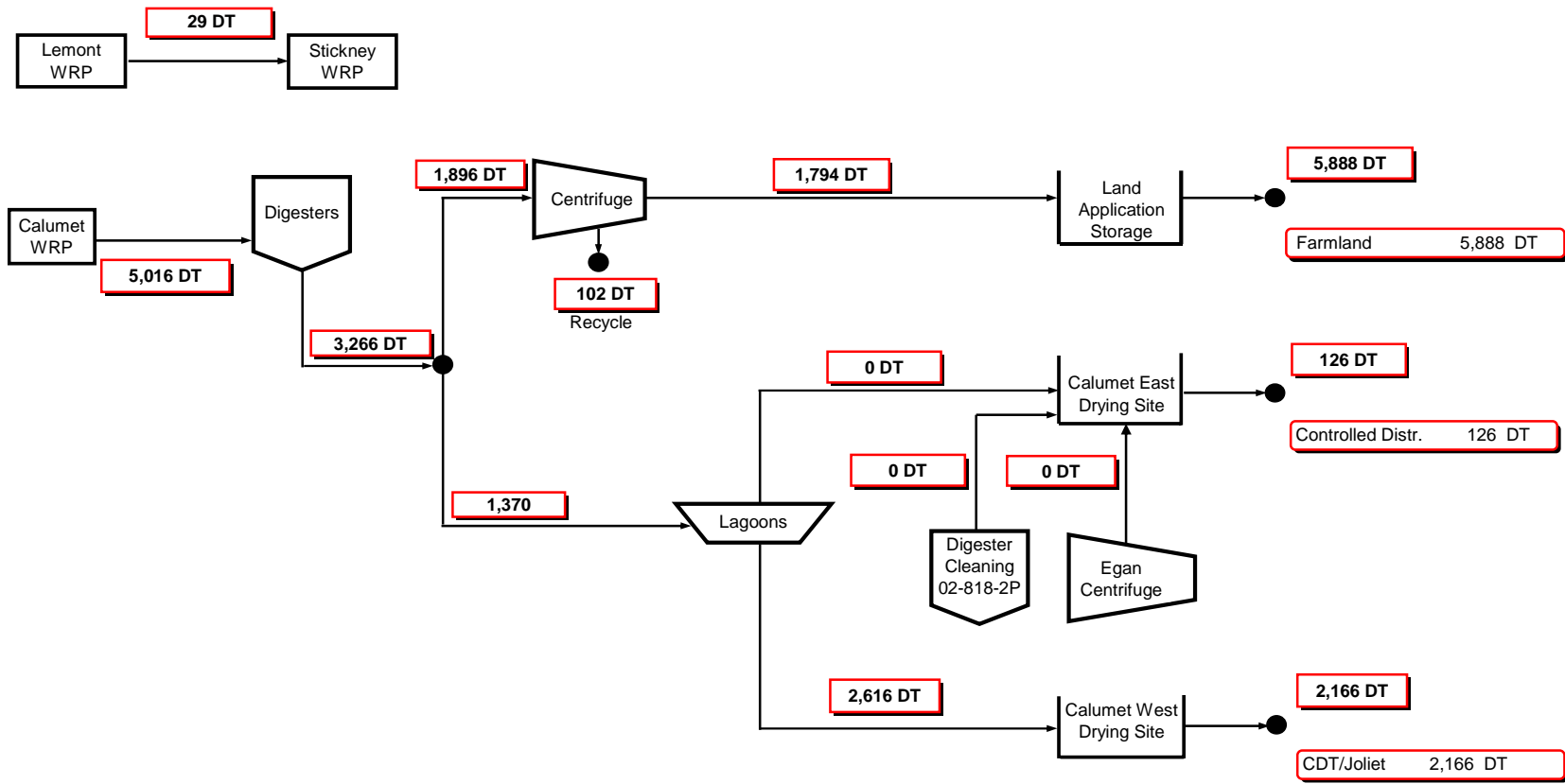
J.E. EGAN WRP SOLIDS DISTRIBUTION- FIGURE 1

August-07



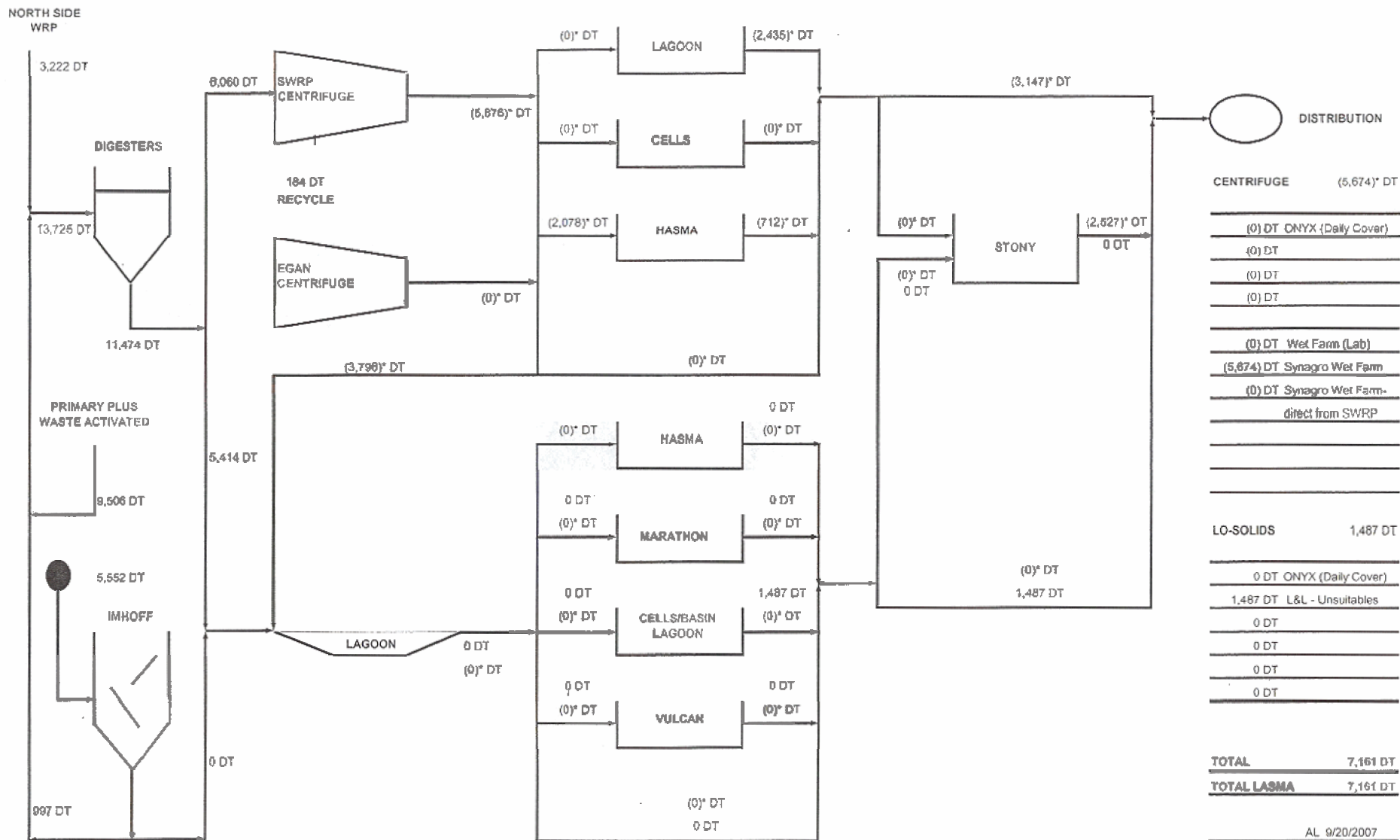
CALUMET WRP SOLIDS DISTRIBUTION – August 2007

Figure 2



STICKNEY WATER RECLAMATION PLANT SOLIDS DISTRIBUTION FOR AUGUST 2007

Figure 3



(CENTRIFUGE CAKE)*

TABLE 1: CONTROLLED SOLIDS DISTRIBUTION PROGRAM
USER INFORMATION REPORT

1.	Name of User:	Moody Bible Institute
2.	Address of User:	820 N. LaSalle Blvd. Chicago, IL 60610
3.	Type of Solids and Source:	Agitation dried lagooned anaerobically digested biosolids from the Calumet WRP. Drying was done at the Calumet East solids drying areas.
4.	Quantity Received (August 2007):	14.48 dry tons
	Cumulative Quantity Received in 2007:	14.48 dry tons
5.	Date Biosolids Received:	August 8, 2007
6.	Use of Biosolids at Site:	Used as top dressing in golf course turf areas.
7.	Size of Application Area:	3 acres
8.	Application Rate:	4.83 tons/acre

TABLE 2: ANALYSIS* OF DIGESTED BIOSOLIDS APPLIED TO LAND AT THE
MOODY BIBLE INSTITUTE SOCCER & BASEBALL FIELDS, 820 N. LASALLE
CHICAGO, IL FROM THE CALUMET EAST DRYING AREA
DURING AUGUST 2007

Constituent	Units	Concentration
pH		6.4
Total Solids	%	66.1
Total Volatile Solids	"	33.2
Volatile Acids as Acetic Acid	mg/dry kg	27
Total Kjeldahl-N	"	13,539
NH ₃ -N	"	39
Total P	"	21,829
K	"	6,568
Cd	"	8.7
Cr	"	153
Cu	"	341
Pb	"	115
Hg	"	0.8
Mo	"	11.8
As	"	10.9
Mn	"	896
Ni	"	35.7
Se	"	7.0
Zn	"	1,048

*Results based on one sample.

TABLE 3: CONTROLLED SOLIDS DISTRIBUTION PROGRAM
USER INFORMATION REPORT

1.	Name of User:	St. Charles Park District
2.	Address of User:	Campton Hills Drive & Peck Road Campton Hills Park, St. Charles, IL
3.	Type of Solids and Source:	Agitation dried lagooned anaerobically digested biosolids from the Calumet WRP. Drying was done at the Calumet East solids drying areas.
4.	Quantity Received (August 2007):	83.71 dry tons
	Cumulative Quantity Received in 2007:	83.71 dry tons
5.	Date Biosolids Received:	August 30, 2007
6.	Use of Biosolids at Site:	Used as top dressing of turf on soccer fields.
7.	Size of Application Area:	6 acres
8.	Application Rate:	13.95 dry tons/acre

TABLE 4: ANALYSIS* OF DIGESTED BIOSOLIDS APPLIED TO LAND AT
 CAMPTON HILLS PARK SOCCER FIELDS, ST. CHARLES, IL
 FROM THE CALUMET EAST DRYING AREA
 DURING AUGUST 2007

Constituent	Units	Concentration
pH		6.6
Total Solids	%	67.3
Total Volatile Solids	"	37.8
Volatile Acids as Acetic Acid	mg/dry kg	74
Total Kjeldahl-N	"	16,699
NH ₃ -N	"	124
Total P	"	28,976
K	"	3,758
Cd	"	8.8
Cr	"	141
Cu	"	447
Pb	"	133
Hg	"	0.72
Mo	"	13.0
As	"	10.2
Mn	"	849
Ni	"	35.9
Se	"	9.4
Zn	"	1,198

*Results based on one sample.

TABLE 5: CONTROLLED SOLIDS DISTRIBUTION PROGRAM
USER INFORMATION REPORT

1.	Name of User:	White Pines Golf Club
2.	Address of User:	500 W. Jefferson St. Bensenville, IL 60106
3.	Type of Solids and Source:	Agitation dried lagooned anaerobically digested biosolids from the Calumet WRP. Drying was done at the Calumet East solids drying areas.
4.	Quantity Received (August 2007):	28.22 dry tons
	Cumulative Quantity Received in 2007:	58.90
5.	Date Biosolids Received:	August 30, 2007
6.	Use of Biosolids at Site:	Used as top dressing in golf course turf areas.
7.	Size of Application Area:	1 acre
8.	Application Rate:	28.22 tons/acre

TABLE 6: ANALYSIS* OF DIGESTED BIOSOLIDS APPLIED TO LAND AT THE
 WHITE PINES GOLF CLUB, 500 W. JEFFERSON ST., BENSENVILLE, IL
 DURING AUGUST 2007

Constituent	Units	Concentration
pH		6.6
Total Solids	%	68.2
Total Volatile Solids	"	37.1
Volatile Acids as Acetic Acid	mg/dry kg	60
Total Kjeldahl-N	"	15,472
NH ₃ -N	"	148
Total P	"	25,701
K	"	4,123
Cd	"	8.8
Cr	"	147
Cu	"	465
Pb	"	138
Hg	"	0.78
Mo	"	12.7
As	"	10.5
Mn	"	836
Ni	"	37.9
Se	"	9.4
Zn	"	1,192

*Results based on one sample.