

Protecting Our Water Environment



Metropolitan Water Reclamation District of Greater Chicago

***MONITORING AND RESEARCH
DEPARTMENT***

REPORT NO. 12-4

MONTHLY CONTROLLED SOLIDS

DISTRIBUTION REPORT

DECEMBER 2011

FEBRUARY 2012

Protecting Our Water Environment



Metropolitan Water Reclamation District of Greater Chicago

100 East Erie Street

Chicago, Illinois 60611-3154

312.751.5190

Board of Commissioners

Terrence J. O'Brien
President

Kathleen Therese Meany
Vice President

Gloria Alitto Majewski
Chairman of Finance

Frank Avila

Patricia Horton

Barbara J. McGowan

Cynthia M. Santos

Debra Shore

Mariyana T. Spyropoulos

Thomas C. Granato, Ph.D.

Director of Monitoring and Research Department

thomas.granato@mwrld.org

February 2, 2012

Mr. S. Alan Keller, P.E.
Manager, Permit Section
Illinois Environmental
Protection Agency
1021 North Grand Avenue East
P.O. Box 19276
Springfield, IL 62794-9276

Dear Mr. Keller:

Subject: Metropolitan Water Reclamation District of Greater Chicago – Controlled Solids Distribution Program Illinois Environmental Protection Agency Permit No. 2010-SC-0200, December 2011

This letter transmits information and data for the Metropolitan Water Reclamation District of Greater Chicago - Controlled Solids Distribution Program for December 2011, as required by Illinois Environmental Protection Agency Permit No. 2010-SC-0200.

Sludge flow schematic diagrams for solids processed during December 2011 are shown in Figure 1 - John E. Egan Water Reclamation Plant (WRP), Figure 2 - Calumet WRP, and Figure 3 - Stickney WRP.

Biosolids were not distributed under the Controlled Solids Distribution Program to any site in December.

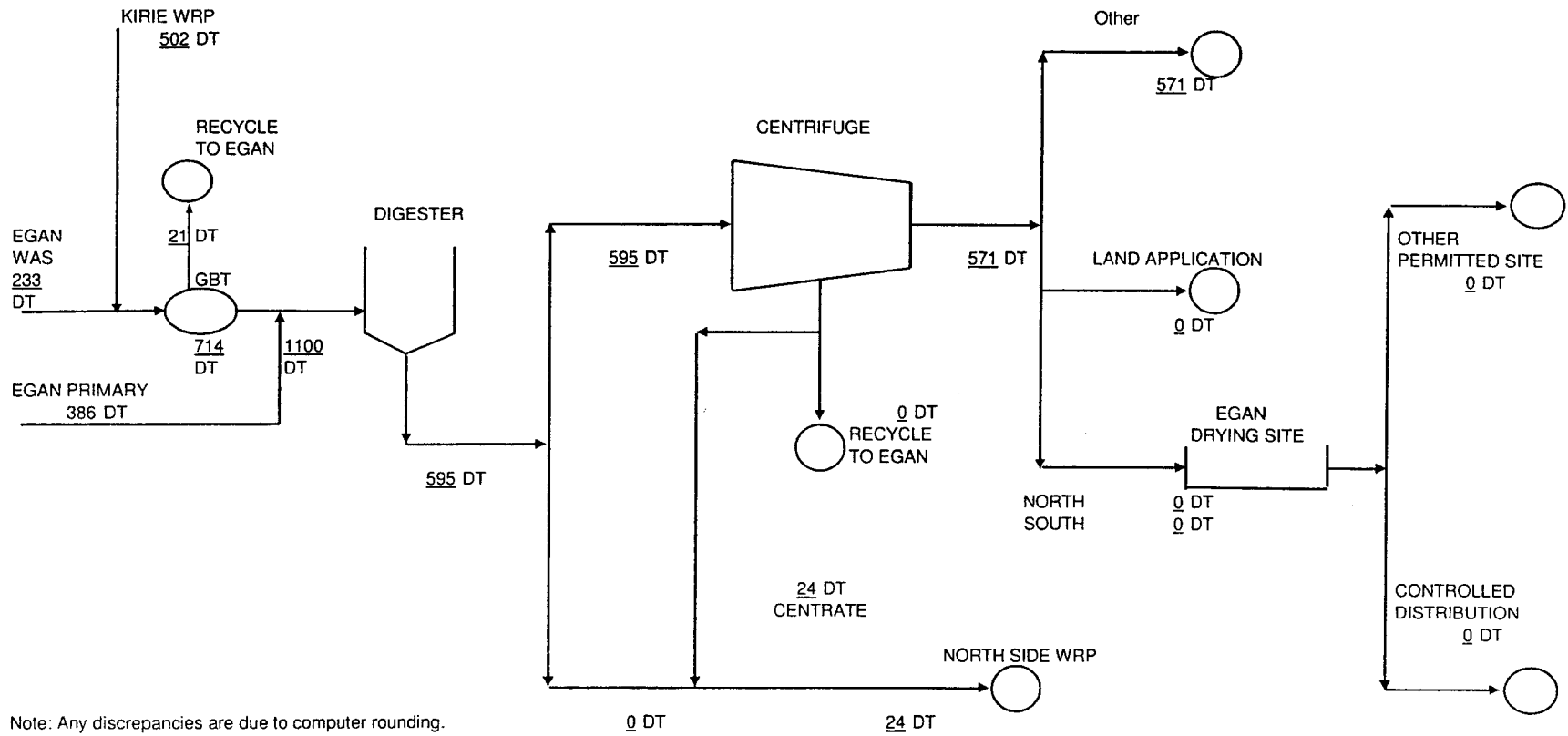
Very truly yours,

Thomas C. Granato, Ph.D.
Director
Monitoring and Research

TCG:AC:cm
Attachments
cc: V. Aistars (USEPA)
R. Sulski (IEPA)
K. Kits
C. O'Connor

J.E. EGAN WRP SOLIDS DISTRIBUTION- FIGURE 1

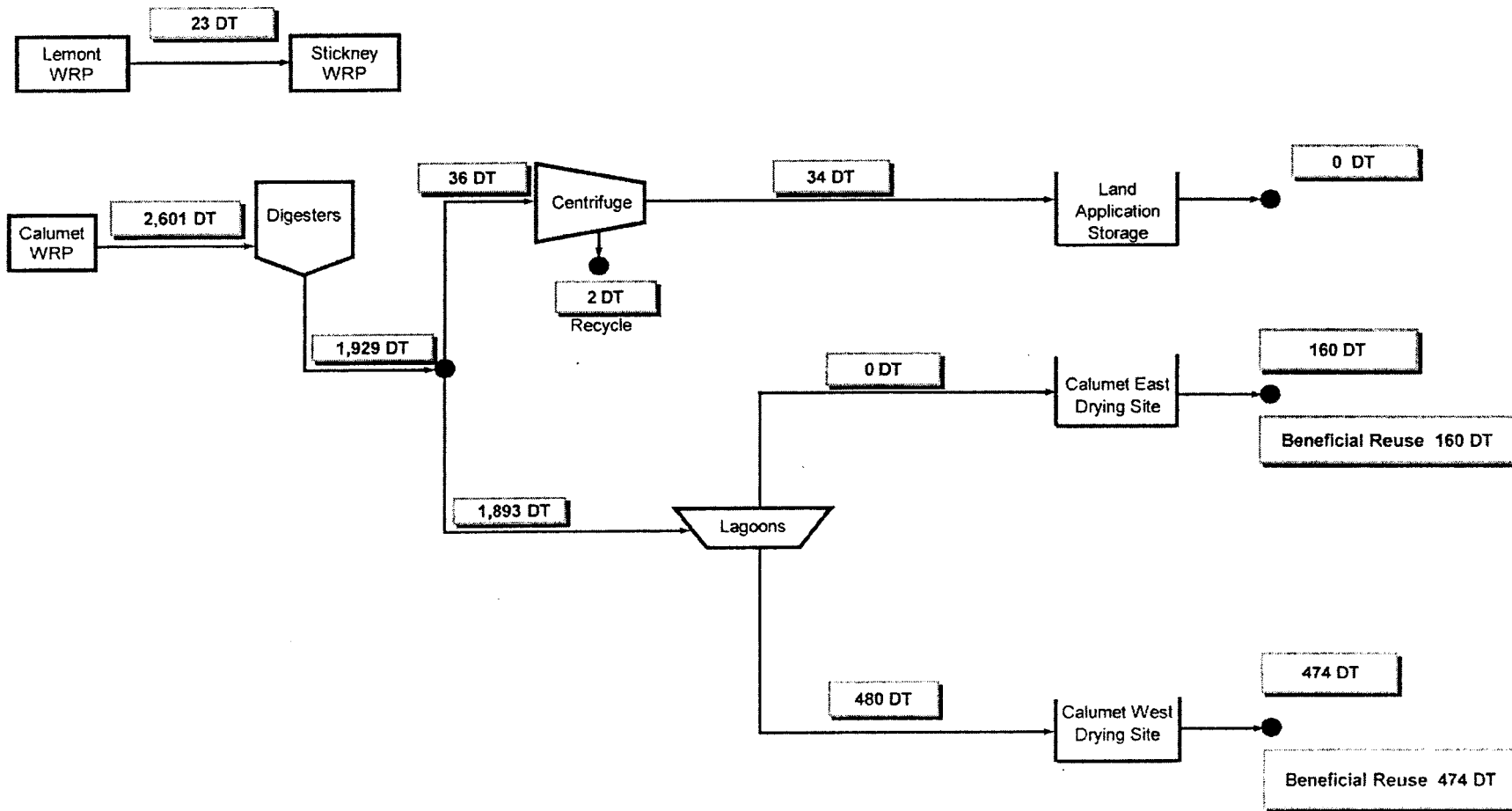
December-11



Note: Any discrepancies are due to computer rounding.

CALUMET WRP SOLIDS DISTRIBUTION - December 2011

Figure 2



STICKNEY WATER RECLAMATION PLANT SOLIDS DISTRIBUTION FOR DECEMBER 2011

FIGURE 3

