

Protecting Our Water Environment



Metropolitan Water Reclamation District of Greater Chicago

***MONITORING AND RESEARCH
DEPARTMENT***

REPORT NO. 12-2

MONTHLY CONTROLLED SOLIDS

DISTRIBUTION REPORT

OCTOBER 2011

JANUARY 2012

Protecting Our Water Environment

Board of Commissioners

Terrence J. O'Brien
President
Kathleen Therese Meany
Vice President
Gloria Alitto Majewski
Chairman of Finance
Frank Avila
Patricia Horton
Barbara J. McGowan
Cynthia M. Santos
Debra Shore
Mariyana T. Spyropoulos

Metropolitan Water Reclamation District of Greater Chicago

100 East Erie Street

Chicago, Illinois 60611-3154

312.751.5190

Thomas C. Granato, Ph.D.

Director of Monitoring and Research Department

thomas.granato@mwrd.org

January 10, 2012

Mr. S. Alan Keller, P.E.
Manager, Permit Section
Illinois Environmental
Protection Agency
1021 North Grand Avenue East
P.O. Box 19276
Springfield, IL 62794-9276

Dear Mr. Keller:

Subject: Metropolitan Water Reclamation District of Greater Chicago – Controlled Solids Distribution Program Illinois Environmental Protection Agency Permit No. 2010-SC-0200, October 2011

This letter transmits information and data for the Metropolitan Water Reclamation District of Greater Chicago - Controlled Solids Distribution Program for October 2011, as required by Illinois Environmental Protection Agency Permit No. 2010-SC-0200.

Sludge flow schematic diagrams for solids processed during October 2011 are shown in Figure 1 - John E. Egan Water Reclamation Plant (WRP), Figure 2 - Calumet WRP, and Figure 3 - Stickney WRP.

Biosolids were distributed to three sites in October. The user information report for those sites is presented in Table 1, and the analysis of the composited biosolids delivered to those sites is presented in Table 2.

Very truly yours,

Thomas C. Granato, Ph.D.
Director
Monitoring and Research

TCG:AC:cm

Attachments

cc: V. Aistars (USEPA)

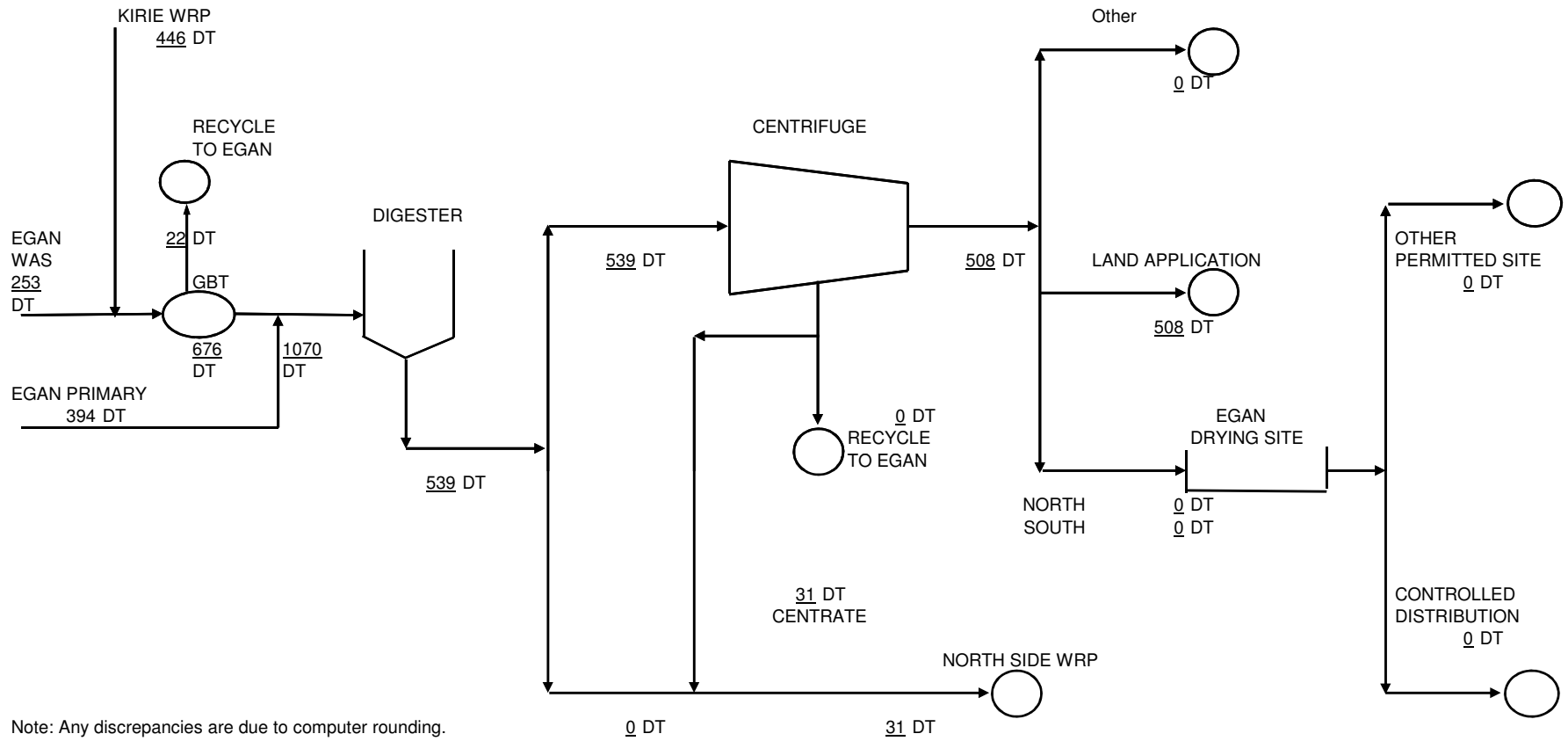
R. Sulski (IEPA)

K. Kits

O'Connor

J.E. EGAN WRP SOLIDS DISTRIBUTION- FIGURE 1

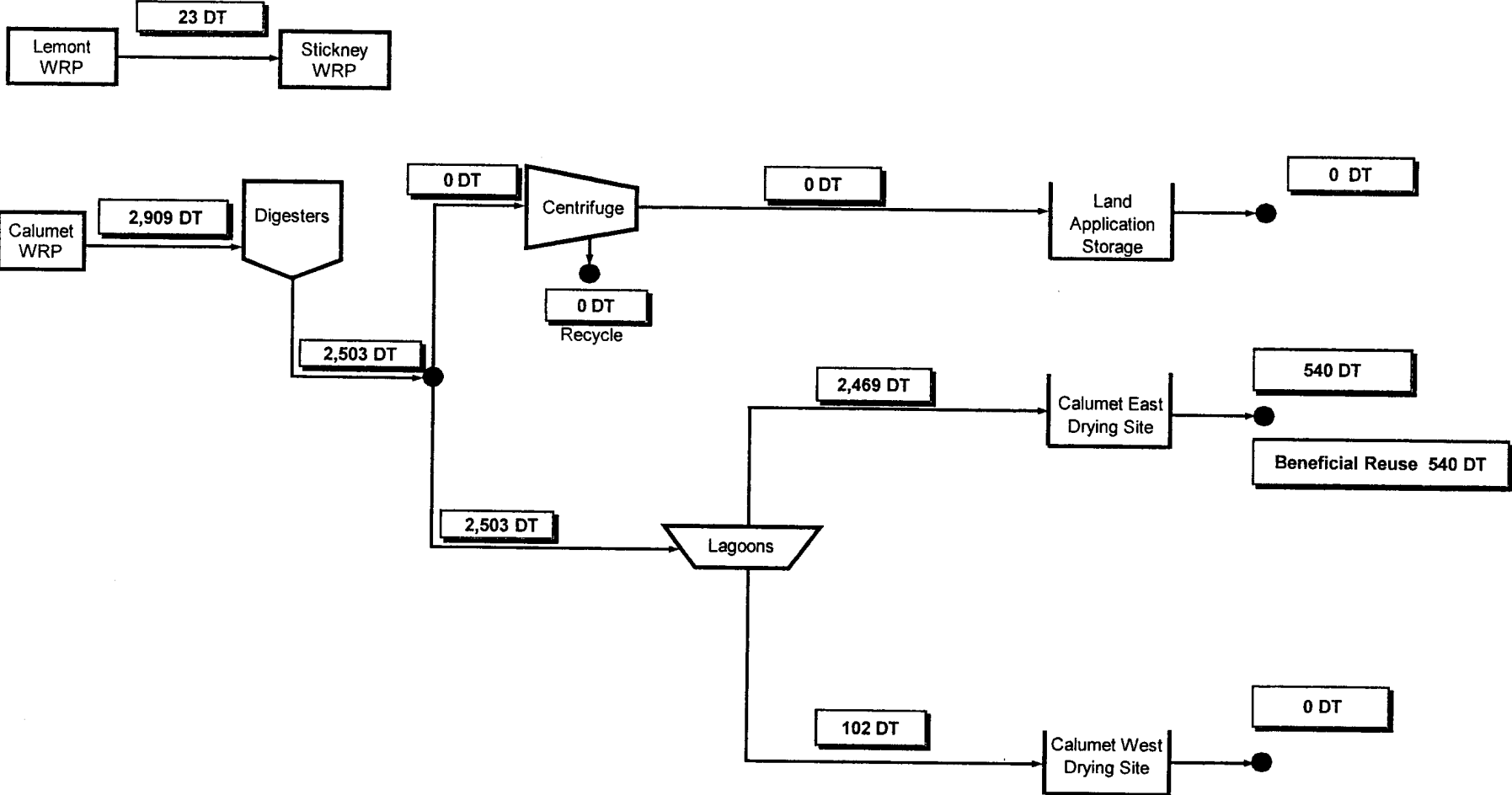
October-11



Note: Any discrepancies are due to computer rounding.

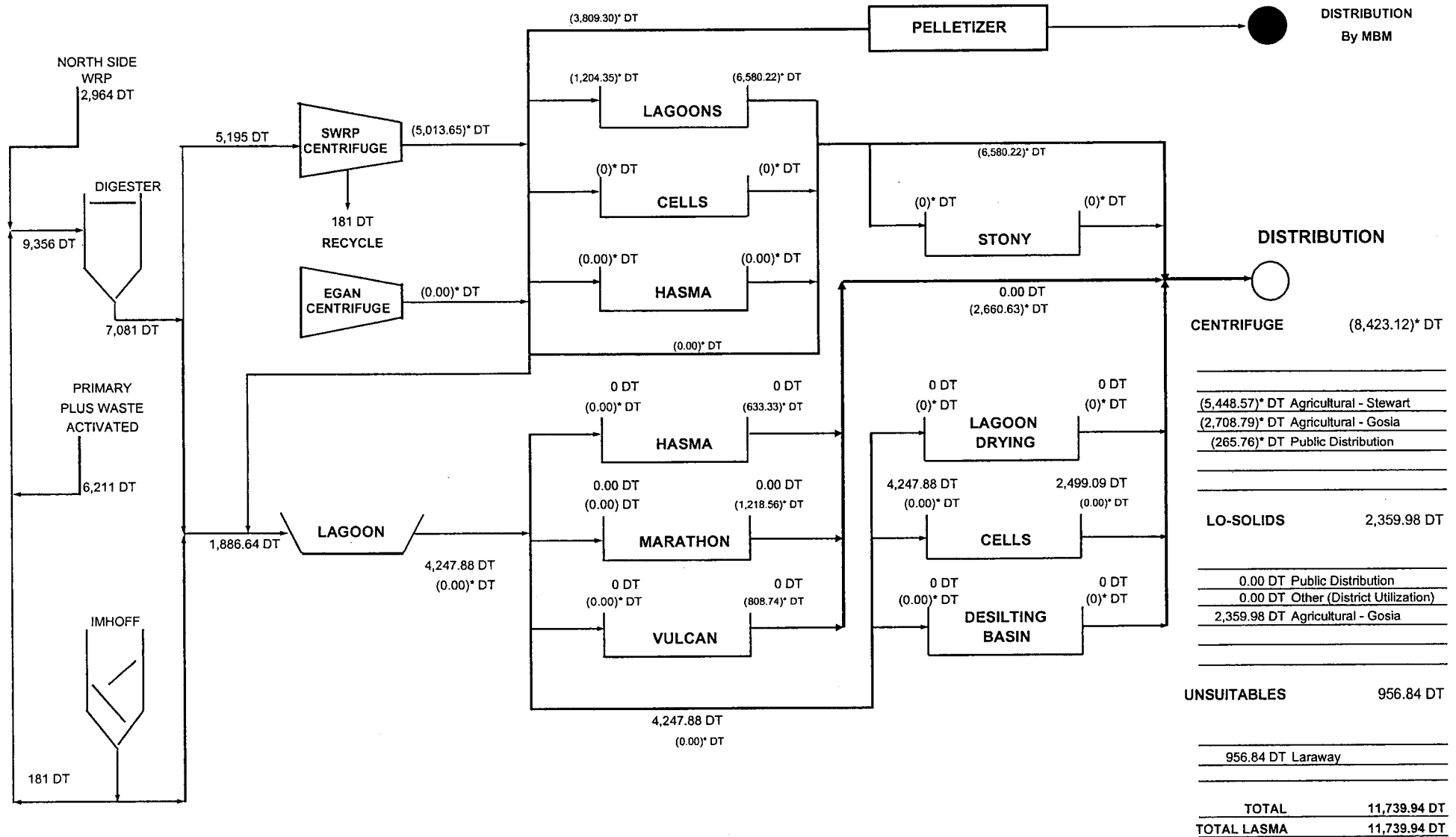
CALUMET WRP SOLIDS DISTRIBUTION - October 2011

Figure 2



STICKNEY WATER RECLAMATION PLANT SOLIDS DISTRIBUTION FOR OCTOBER 2011

FIGURE 3



(CENTRIFUGE CAKE)*

TABLE 1: CONTROLLED SOLIDS DISTRIBUTION PROGRAM USER INFORMATION REPORT FOR
AGITATION-DRIED, ANAEROBICALLY DIGESTED SOLIDS

Location No.	Name and Address of User	Source	Dates	Quantity (dry tons)		Biosolids Use	Application	
				October 2011	Cumulative 2011		Area (acres)	Rate (tons/acre)
1	Dolton Park District Main Park 721 Engle Street Dolton, IL 604192	Stickney WRP	11	144.8	144.8	Topdressing as fertilizer for turf growth	6	24.1
2	Renwood Golf Course 701 E. Shorewood Road Round Lake, IL 60073	Stickney WRP	12	29.0	48.9	Topdressing as fertilizer for turf growth	1	29.0
3	North Shore Country Club 1340 Glenview Road Glenview, IL 60025	Stickney WRP	18	92.0	92.0	Topdressing as fertilizer for turf growth	4	23.0

TABLE 2: ANALYSIS OF DIGESTED BIOSOLIDS APPLIED TO LAND FROM THE STICKNEY WATER RECLAMATION PLANT DRYING AREA DURING OCTOBER 2011

		User Location No ¹	
		1, 2	3
<u>Constituent</u>	<u>Unit</u>		
pH		6.1	6.8
Total Solids	%	63.8	64.4
Total Volatile Solids	"	45.2	43.8
Total Kjeldahl-N	mg/kg	25,307	27,492
NH ₃ -N	"	2,572	4,022
Total P	"	27,235	25,096
As	"	<10.0	<10.0
Cd	"	3.6	3.4
Cr	"	157	146
Cu	"	453	431
Hg	"	1.0	1.2
K	"	2,478	2,275
Mn	"	629	601
Mo	"	9.4	9.2
Ni	"	41.3	39.3
Pb	"	119	112
Se	"	<5.0	<5.0
Zn	"	872	815

¹Locations listed in Table 1.