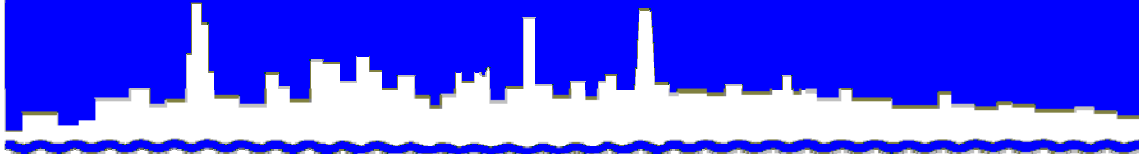


*Protecting Our Water Environment*



*Metropolitan Water Reclamation District of Greater Chicago*

***RESEARCH AND DEVELOPMENT  
DEPARTMENT***

*REPORT NO. 07-23*

*MONTHLY CONTROLLED SOLIDS*

*DISTRIBUTION REPORT*

*FEBRUARY 2007*

*MAY 2007*

**Metropolitan Water Reclamation District of Greater Chicago**

100 EAST ERIE STREET CHICAGO, ILLINOIS 60611-3154 312-751-5600

Louis Kollias, P.E., BCEE  
*Director of Research and Development*

May 2, 2007

312-751-5190

Mr. S. Alan Keller, P.E.  
Manager, Permit Section  
Illinois Environmental  
Protection Agency  
1021 North Grand Avenue East  
P.O. Box 19276  
Springfield, IL 62794-9276

Dear Mr. Keller:

Subject: Metropolitan Water Reclamation District of Greater Chicago – Controlled Solids Distribution Program IEPA Permit No. 2005-SC-3793, February 2007

This letter transmits information and data for the Metropolitan Water Reclamation District of Greater Chicago - Controlled Solids Distribution Program for February 2007, as required by Illinois Environmental Protection Agency Permit No. 2005-SC-3793.

Flow schematic diagrams for solids processed during February 2007 are shown in Figure 1 - John E. Egan Water Reclamation Plant (WRP), Figure 2 - Calumet WRP, and Figure 3 - Stickney WRP.

No biosolids were distributed to any site in February 2007.

Very truly yours,

Louis Kollias  
Director  
Research and Development

LK:TCG:AC:KK:spy

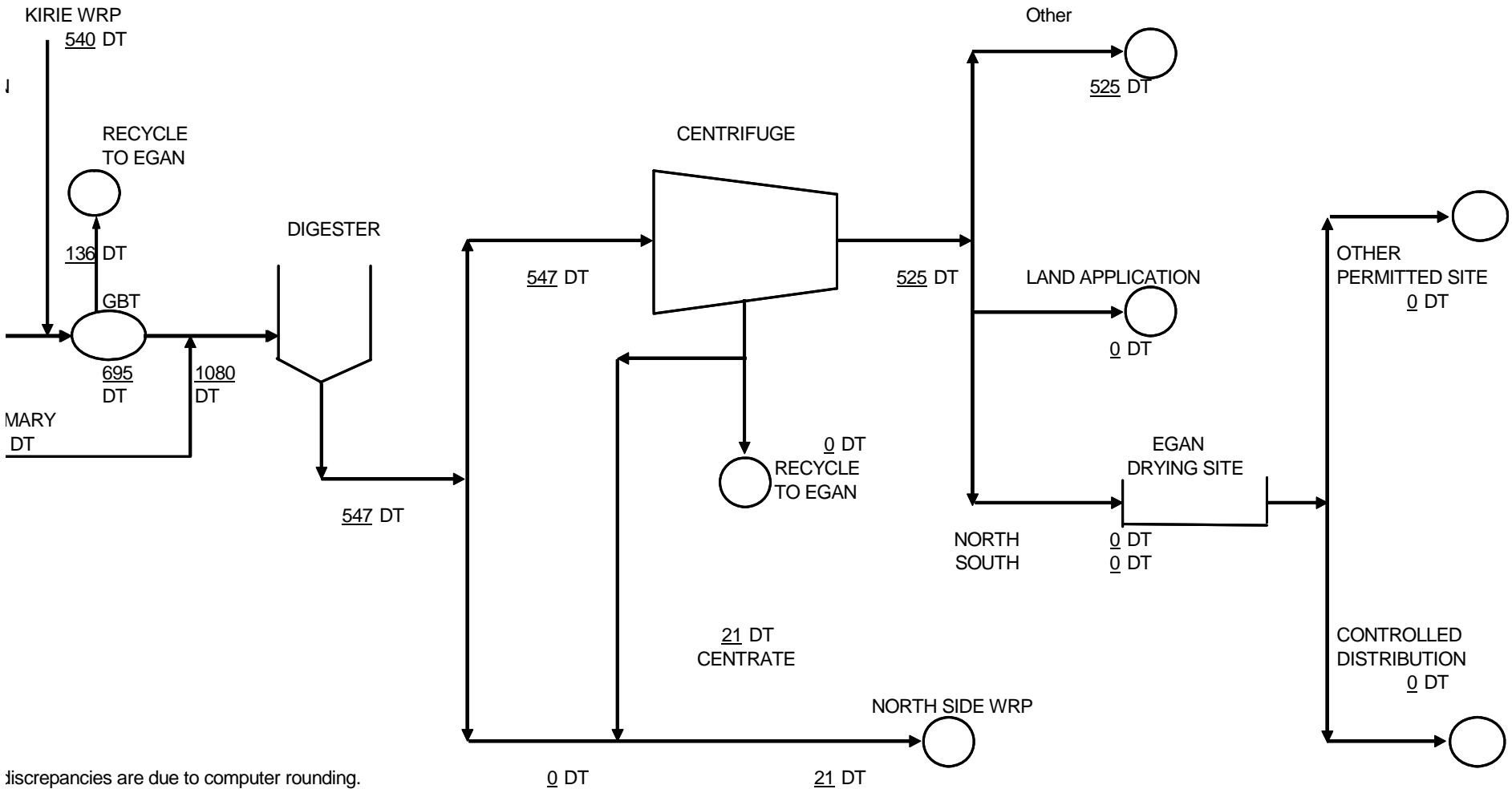
Attachments

cc w/att.: Aistars (USEPA)  
Sulski (IEPA)  
Sobanski  
Granato/O'Connor/Cox  
cc wo/att: Levy/Quintanilla  
Sharma /Carmody  
Ballowe/Collins

# J.E. EGAN WRP SOLIDS DISTRIBUTION-

February-07

FIGURE 1



discrepancies are due to computer rounding.

# CALUMET WRP SOLIDS DISTRIBUTION - FEBRUARY 2007

## FIGURE 2

