

EXHIBIT 7

BOARD OF COMMISSIONERS
Terrence J. O'Brien
President
Kathleen Therese Meany
Vice President
Gloria Allitto Majewski
Chairman Of Finance
Frank Avila
James C. Harris
Barbara J. McGowan
Cynthia M. Santos
Patricia Young
Harry "Bus" Yourell

Metropolitan Water Reclamation District of Greater Chicago

100 EAST ERIE STREET CHICAGO, ILLINOIS 60611-3154 312-751-5600

Osoth Jamjun, P.E.
Chief of Maintenance and Operations
312.751.5101 FAX: 312.751.5145

August 28, 2006

Mr. S. Alan Keller, P.E.
Manager, Northern Municipal Unit
Permit Section
Division of Water Pollution Control
Illinois Environmental Protection Agency
1021 North Grand Avenue East
P.O. Box 19276
Springfield, IL 62794-9276

Dear Mr. Keller:

Subject: Renewal Application for Operating Permit
NPDES Permit No. IL0028053, Stickney WRP

Enclosed are two sets of the renewal application for the subject facility. The current permit is due to expire on February 28, 2007.

If additional information is required, please contact Ms. Susan O'Connell at 312/751-6550.

Very truly yours,



Osoth Jamjun
Chief of Maintenance and Operations

SO'C:OK

1PS:SES:SO'C
enclosures
Lanyon/Kollias/Feldman (w/o attachments)
Levy (w/attachments)

FORM 1 GENERAL		U.S. ENVIRONMENTAL PROTECTION AGENCY GENERAL INFORMATION Consolidated Permits Program <i>(Read the "General Instructions" before starting.)</i>	I. EPA I.D. NUMBER S F 1 2 13 14 15	
LABEL ITEMS		PLEASE PLACE LABEL IN THIS SPACE	GENERAL INSTRUCTIONS If a preprinted label has been provided, affix it in the designated space. Review the information carefully; if any of it is incorrect, cross through it and enter the correct data in the appropriate fill-in area below. Also, if any of the preprinted data is absent (the area to the left of the label space lists the information that should appear), please provide it in the proper fill-in area(s) below. If the label is complete and correct, you need not complete Items I, III, V, and VI (except VI-B which must be completed regardless). Complete all items if no label has been provided. Refer to the instructions for detailed item descriptions and for the legal authorizations under which this data is collected.	
I. EPA I.D. NUMBER				
III. FACILITY NAME				
V. FACILITY MAILING ADDRESS				
VI. FACILITY LOCATION				
II. POLLUTANT CHARACTERISTICS				
INSTRUCTIONS: Complete A through J to determine whether you need to submit any permit application forms to the EPA. If you answer "yes" to any questions, you must submit this form and the supplemental form listed in the parenthesis following the question. Mark "X" in the box in the third column if the supplemental form is attached. If you answer "no" to each question, you need not submit any of these forms. You may answer "no" if your activity is excluded from permit requirements; see Section C of the instructions. See also, Section D of the instructions for definitions of bold-faced terms.				
SPECIFIC QUESTIONS		Mark "X"	Mark "X"	
		YES NO FORM ATTACHED	YES NO FORM ATTACHED	
A. Is this facility a publicly owned treatment works which results in a discharge to waters of the U.S.? (FORM 2A)		<input checked="" type="checkbox"/> <input type="checkbox"/> <input checked="" type="checkbox"/>	B. Does or will this facility (either existing or proposed) include a concentrated animal feeding operation or aquatic animal production facility which results in a discharge to waters of the U.S.? (FORM 2B)	
		16 17 18		
C. Is this a facility which currently results in discharges to waters of the U.S. other than those described in A or B above? (FORM 2C)		<input type="checkbox"/> <input checked="" type="checkbox"/> <input type="checkbox"/>	D. Is this a proposed facility (other than those described in A or B above) which will result in a discharge to waters of the U.S.? (FORM 2D)	
		22 23 24		
E. Does or will this facility treat, store, or dispose of hazardous wastes? (FORM 3)		<input type="checkbox"/> <input checked="" type="checkbox"/> <input type="checkbox"/>	F. Do you or will you inject at this facility industrial or municipal effluent below the lowermost stratum containing, within one quarter mile of the well bore, underground sources of drinking water? (FORM 4)	
		28 29 30		
G. Do you or will you inject at this facility any produced water or other fluids which are brought to the surface in connection with conventional oil or natural gas production, inject fluids used for enhanced recovery of oil or natural gas, or inject fluids for storage of liquid hydrocarbons? (FORM 4)		<input type="checkbox"/> <input checked="" type="checkbox"/> <input type="checkbox"/>	H. Do you or will you inject at this facility fluids for special processes such as mining of sulfur by the Frasch process, solution mining of minerals, in situ combustion of fossil fuel, or recovery of geothermal energy? (FORM 4)	
		34 35 36		
I. Is this facility a proposed stationary source which is one of the 28 industrial categories listed in the instructions and which will potentially emit 100 tons per year of any air pollutant regulated under the Clean Air Act and may affect or be located in an attainment area? (FORM 5)		<input type="checkbox"/> <input checked="" type="checkbox"/> <input type="checkbox"/>	J. Is this facility a proposed stationary source which is NOT one of the 28 industrial categories listed in the instructions and which will potentially emit 250 tons per year of any air pollutant regulated under the Clean Air Act and may affect or be located in an attainment area? (FORM 5)	
		40 41 42		
III. NAME OF FACILITY				
c 1 SKIP MWRDGC Stickney WRP				
15 16 - 29 30 69				
IV. FACILITY CONTACT				
A. NAME & TITLE (last, first, & title)			B. PHONE (area code & no.)	
c 2 Jamjun, Osoth; Chief of Maintenance and Operations			3 (312) 751-5101	
15 16 45 46 48 49 51 52- 55				
V. FACILITY MAILING ADDRESS				
A. STREET OR P.O. BOX				
c 3 6001 West Pershing Road				
15 16 45				
B. CITY OR TOWN			C. STATE	D. ZIP CODE
c 4 Cicero			IL	60804
15 16 40 41 42 47 51				
VI. FACILITY LOCATION				
A. STREET, ROUTE NO. OR OTHER SPECIFIC IDENTIFIER				
c 5 6001 West Pershing Road				
15 16 45				
B. COUNTY NAME				
Cook				
46 70				
C. CITY OR TOWN			D. STATE	E. ZIP CODE
c 6 Cicero			IL	60804
15 16 40 41 42 47 51 52 -54				

CONTINUED FROM THE FRONT

VII. SIC CODES (4-digit, in order of priority)															
A. FIRST										B. SECOND					
C										C					
7	4	9	5	2	(specify) Sanitary Services - Sewerage systems					7	(specify)				
15	16	17	18	19	20	21	22	23	24	15	16	17	18	19	
C. THIRD										D. FOURTH					
C										C					
7	(specify)									7	(specify)				
15	16	17	18	19	20	21	22	23	24	15	16	17	18	19	

VIII. OPERATOR INFORMATION																	
A. NAME												B. Is the name listed in Item VIII-A also the owner?					
C															<input checked="" type="checkbox"/> YES <input type="checkbox"/> NO		
8	Metropolitan Water Reclamation District of Greater Chicago																
15	16	17	18	19	20	21	22	23	24	25	26	27	28	29	55	56	57
C. STATUS OF OPERATOR (Enter the appropriate letter into the answer box: if "Other," specify.)												D. PHONE (area code & no.)					
F = FEDERAL S = STATE P = PRIVATE												M = PUBLIC (other than federal or state) O = OTHER (specify)			M (specify)		
												A (312) 751-5101					
15	16	17	18	19	20	21	22	23	24	25	26	27	28	29	58	59	60

E. STREET OR P.O. BOX															
100 East Erie Street															
26	27	28	29	30	31	32	33	34	35	36	37	38	39	40	55

F. CITY OR TOWN										G. STATE	H. ZIP CODE	IX. INDIAN LAND				
C													Is the facility located on Indian lands?			
B	Chicago									IL	60611	<input type="checkbox"/> YES <input checked="" type="checkbox"/> NO				
15	16	17	18	19	20	21	22	23	24	40	41	42	43	44	45	52


X. EXISTING ENVIRONMENTAL PERMITS																
A. NPDES (Discharges to Surface Water)										D. PSD (Air Emissions from Proposed Sources)						
C	T	I								C	T	I				
9	N		IL0028053							9	P		031300AAL			
15	16	17	18	19	20	21	22	23	24	15	16	17	18	19	20	30
B. UIC (Underground Injection of Fluids)										E. OTHER (specify)						
C	T	I								C	T	I				
9	U									9			See below			
15	16	17	18	19	20	21	22	23	24	15	16	17	18	19	20	30
C. RCRA (Hazardous Wastes)										E. OTHER (specify)						
C	T	I								C	T	I				
9	R									9						
15	16	17	18	19	20	21	22	23	24	15	16	17	18	19	20	30

XI. MAP
 Attach to this application a topographic map of the area extending to at least one mile beyond property boundaries. The map must show the outline of the facility, the location of each of its existing and proposed intake and discharge structures, each of its hazardous waste treatment, storage, or disposal facilities, and each well where it injects fluids underground. Include all springs, rivers, and other surface water bodies in the map area. See instructions for precise requirements.

XII. NATURE OF BUSINESS (provide a brief description)
 The Stickney WRP is a wastewater treatment facility utilizing conventional activated sludge. It has a design average flow of 1,200 MGD and a design maximum flow of 1,440 MGD.

Additional Permits:
 2005-SC-3793 Controlled Solids Distribution
 2004-SC-0701 Land Application of Sewage Sludge
 2005-AO-4283 Stickney WRP Drying Areas
 2004-AO-2591 Harlem Avenue Solids Management Area
 2005-HO-5074 Septage Disposal

XIII. CERTIFICATION (see instructions)
 I certify under penalty of law that I have personally examined and am familiar with the information submitted in this application and all attachments and that, based on my inquiry of those persons immediately responsible for obtaining the information contained in the application, I believe that the information is true, accurate, and complete. I am aware that there are significant penalties for submitting false information, including the possibility of fine and imprisonment.

A. NAME & OFFICIAL TITLE (type or print)										B. SIGNATURE					C. DATE SIGNED				
Osoth Jamjun Chief of Maintenance and Operations															8/29/06				

COMMENTS FOR OFFICIAL USE ONLY															
C															
15	16	17	18	19	20	21	22	23	24	25	26	27	28	29	55

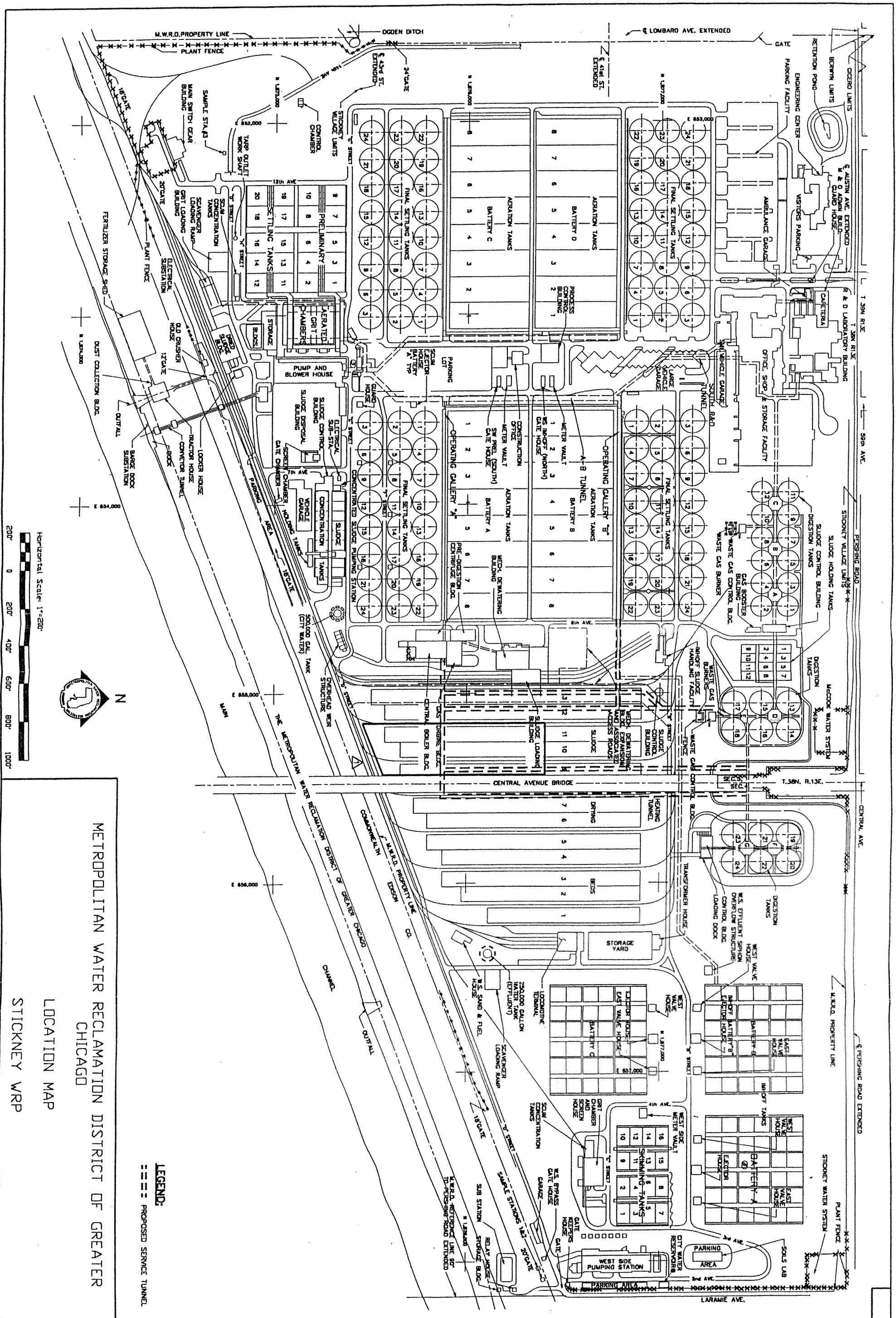


STOCKNEY PLANT
Scale 1:2000

STOCKNEY PLANT

PLANT

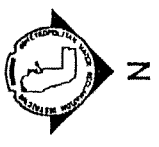
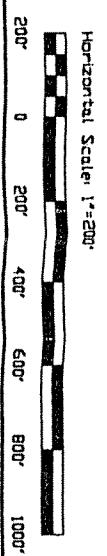
STOCKNEY PLANT



METROPOLITAN WATER RECLAMATION DISTRICT OF GREATER CHICAGO

LOCATION MAP
STICKNEY WRP

LEGEND:
 - - - - - PROPOSED SERVICE TUNNEL



A.4 **Collection System Information.** Provide information on municipalities and areas served by the facility. Provide the name and population of each entity and, if known, provide information on the type of collection system (combined vs. separate and its ownership (municipal, private etc.)

<u>Name</u>	<u>Population Served</u>	<u>Type of Collection System</u>	<u>Ownership</u>	<u>Latest Recorded Flow (gpcpd)</u>
1 Bedford Park	574	combined	municipal	208
2 Bellwood	20,535	separate	municipal	805
3 Bensenville	3,147	separate	municipal	
4 Berkeley	5,245	separate	municipal	725
5 Berwyn	54,016	combined	municipal	
6 Bridgeview	15,335	separate	municipal	399
7 Broadview	8,264	combined	municipal	477
8 Brookfield	6,339	combined	municipal	
9 Burr Ridge	10,408	separate	municipal	521
10 Chicago (partly)	1,579,640	combined	municipal	
11 Cicero	85,616	combined	municipal	
12 Countryside	5,991	separate	private	399
13 Des Plaines	58,720	combined	municipal	267
14 Elmwood Park	25,405	combined	municipal	
15 Forest Park	15,688	combined	municipal	
16 Forest View	778	combined	municipal	
17 Franklin Park	19,434	combined	municipal	288
18 Harwood Heights	8,297	combined	municipal	1,183
19 Hillside	8,155	separate	municipal	399
20 Hinsdale	5,274	separate	municipal	150
21 Hodgkins	2,134	separate	municipal	225
22 Hometown	4,467	combined	municipal	
23 Indian Head Park	3,685	separate	municipal	245
24 Justice	12,193	separate	municipal	299
25 La Grange	15,608	combined	municipal	150
26 La Grange Park	13,295	combined	municipal	322
27 Lyons	10,255	combined	municipal	
28 Maywood	26,987	combined	municipal	
29 McCook	254	separate	municipal	177
30 Melrose Park	23,171	combined	municipal	1,190
31 Norridge	14,582	combined	municipal	
32 Northlake	11,878	separate	municipal	287
33 North Riverside	6,688	combined	municipal	

<u>Name</u>	<u>Population Served</u>	<u>Type of Collection System</u>	<u>Ownership</u>	<u>Latest Recorded Flow (gpcpd)</u>
34 Oak Park	52,524	combined	municipal	
35 Park Ridge	37,775	combined	municipal	708
36 River Forest	11,635	combined	municipal	
37 River Grove	10,668	combined	municipal	150
38 Riverside	8,895	combined	municipal	
39 Rosemont	4,224	separate	municipal	443
40 Schiller Park	11,850	combined	municipal	445
41 Stickney	6,148	combined	municipal	
42 Stone Park	5,127	separate	municipal	157
43 Summit	10,637	combined	municipal	
44 Westchester	16,824	separate	municipal	1,107
45 Western Springs	12,493	combined	municipal	2,378
46 Willow Springs	5,027	separate	municipal	1,291
Total	2,275,885			

FORM
2A
NPDES

NPDES FORM 2A APPLICATION OVERVIEW

APPLICATION OVERVIEW

Form 2A has been developed in a modular format and consists of a "Basic Application Information" packet and a "Supplemental Application Information" packet. The Basic Application Information packet is divided into two parts. All applicants must complete Parts A and C. Applicants with a design flow greater than or equal to 0.1 mgd must also complete Part B. Some applicants must also complete the Supplemental Application Information packet. The following items explain which parts of Form 2A you must complete.

BASIC APPLICATION INFORMATION:

- A. **Basic Application Information for all Applicants.** All applicants must complete questions A.1 through A.8. A treatment works that discharges effluent to surface waters of the United States must also answer questions A.9 through A.12.
- B. **Additional Application Information for Applicants with a Design Flow \geq 0.1 mgd.** All treatment works that have design flows greater than or equal to 0.1 million gallons per day must complete questions B.1 through B.6.
- C. **Certification.** All applicants must complete Part C (Certification).

SUPPLEMENTAL APPLICATION INFORMATION:

- D. **Expanded Effluent Testing Data.** A treatment works that discharges effluent to surface waters of the United States and meets one or more of the following criteria must complete Part D (Expanded Effluent Testing Data):
 - 1. Has a design flow rate greater than or equal to 1 mgd,
 - 2. Is required to have a pretreatment program (or has one in place), or
 - 3. Is otherwise required by the permitting authority to provide the information.
- E. **Toxicity Testing Data.** A treatment works that meets one or more of the following criteria must complete Part E (Toxicity Testing Data):
 - 1. Has a design flow rate greater than or equal to 1 mgd,
 - 2. Is required to have a pretreatment program (or has one in place), or
 - 3. Is otherwise required by the permitting authority to submit results of toxicity testing.
- F. **Industrial User Discharges and RCRA/CERCLA Wastes.** A treatment works that accepts process wastewater from any significant industrial users (SIUs) or receives RCRA or CERCLA wastes must complete Part F (Industrial User Discharges and RCRA/CERCLA Wastes). SIUs are defined as:
 - 1. All industrial users subject to Categorical Pretreatment Standards under 40 Code of Federal Regulations (CFR) 403.6 and 40 CFR Chapter I, Subchapter N (see instructions); and
 - 2. Any other industrial user that:
 - a. Discharges an average of 25,000 gallons per day or more of process wastewater to the treatment works (with certain exclusions); or
 - b. Contributes a process wastestream that makes up 5 percent or more of the average dry weather hydraulic or organic capacity of the treatment plant; or
 - c. Is designated as an SIU by the control authority.
- G. **Combined Sewer Systems.** A treatment works that has a combined sewer system must complete Part G (Combined Sewer Systems).

ALL APPLICANTS MUST COMPLETE PART C (CERTIFICATION)

FACILITY NAME AND PERMIT NUMBER: IL0028053
MWRDGC Stickney Water Reclamation Plant

Form Approved 1/14/99
OMB Number 2040-0086

BASIC APPLICATION INFORMATION

PART A. BASIC APPLICATION INFORMATION FOR ALL APPLICANTS:

All treatment works must complete questions A.1 through A.8 of this Basic Application Information packet.

A.1. Facility Information.

Facility name MWRDGC Stickney Water Reclamation Plant

Mailing Address 6001 West Pershing Road
Cicero, Illinois 60804

Contact person Steven M. Levy

Title Deputy Chief Engineer

Telephone number 708.588.4000

Facility Address 6001 West Pershing Road
(not P.O. Box) Cicero, Illinois 60804

A.2. Applicant Information. If the applicant is different from the above, provide the following:

Applicant name Metropolitan Water Reclamation District of Greater Chicago

Mailing Address 100 East Erie Street
Chicago, Illinois 60611

Contact person Osoth Jamjun

Title Chief of Maintenance and Operations

Telephone number 312.751.5101

Is the applicant the owner or operator (or both) of the treatment works?

owner operator

Indicate whether correspondence regarding this permit should be directed to the facility or the applicant.

facility applicant

A.3. Existing Environmental Permits. Provide the permit number of any existing environmental permits that have been issued to the treatment works (include state-issued permits).

NPDES IL0028053 PSD CAAPP 03130CAAL

UIC _____ Other 2005-SC-3793; 2005-A0-4283-1

RCRA _____ Other 2005-H0-5074; 2004-SC-0701-2

A.4. Collection System Information. Provide information on municipalities and areas served by the facility. Provide the name and population of each entity and, if known, provide information on the type of collection system (combined vs. separate) and its ownership (municipal, private, etc.).

Name	Population Served	Type of Collection System	Ownership
<u>See Attachment A.4</u>	_____	_____	_____
_____	_____	_____	_____
_____	_____	_____	_____
Total population served <u>2,275,885</u>			

A.5. Indian Country.

- a. Is the treatment works located in Indian Country?
 Yes No
- b. Does the treatment works discharge to a receiving water that is either in Indian Country or that is upstream from (and eventually flows through) Indian Country?
 Yes No

A.6. Flow. Indicate the design flow rate of the treatment plant (i.e., the wastewater flow rate that the plant was built to handle). Also provide the average daily flow rate and maximum daily flow rate for each of the last three years. Each year's data must be based on a 12-month time period with the 12th month of "this year" occurring no more than three months prior to this application submittal.

a. Design flow rate 1200 mgd 7/1/03-6/30/04; 7/1/04-6/30/05; 7/1/05-6/30/06

	<u>Two Years Ago</u>	<u>Last Year</u>	<u>This Year</u>	
b. Annual average daily flow rate	<u>690.6</u>	<u>669</u>	<u>642.3</u>	mgd
c. Maximum daily flow rate	<u>1406</u>	<u>1367</u>	<u>1331</u>	mgd

A.7. Collection System. Indicate the type(s) of collection system(s) used by the treatment plant. Check all that apply. Also estimate the percent contribution (by miles) of each.

- Separate sanitary sewer 26 %
- Combined storm and sanitary sewer 74 %

A.8. Discharges and Other Disposal Methods.

- a. Does the treatment works discharge effluent to waters of the U.S.? Yes No
- If yes, list how many of each of the following types of discharge points the treatment works uses:
- i. Discharges of treated effluent 1
 - ii. Discharges of untreated or partially treated effluent 3
 - iii. Combined sewer overflow points 15
 - iv. Constructed emergency overflows (prior to the headworks) 0
 - v. Other 0

- b. Does the treatment works discharge effluent to basins, ponds, or other surface impoundments that do not have outlets for discharge to waters of the U.S.? Yes No

If yes, provide the following for each surface impoundment:

Location: _____

Annual average daily volume discharged to surface impoundment(s) _____ mgd

Is discharge continuous or intermittent?

- c. Does the treatment works land-apply treated wastewater? Yes No

If yes, provide the following for each land application site:

Location: _____

Number of acres: _____

Annual average daily volume applied to site: _____ Mgd

Is land application continuous or intermittent?

- d. Does the treatment works discharge or transport treated or untreated wastewater to another treatment works? Yes No

FACILITY NAME AND PERMIT NUMBER: IL0028053

Form Approved 1/14/99
OMB Number 2040-0086

MWRDGC Stickney Water Reclamation Plant

If yes, describe the mean(s) by which the wastewater from the treatment works is discharged or transported to the other treatment works (e.g., tank truck, pipe).

N/A

If transport is by a party other than the applicant, provide:

Transporter name:

Mailing Address:

Contact person:

Title:

Telephone number:

For each treatment works that receives this discharge, provide the following:

Name:

Mailing Address:

Contact person:

Title:

Telephone number:

If known, provide the NPDES permit number of the treatment works that receives this discharge.

Provide the average daily flow rate from the treatment works into the receiving facility.

mgd

- e. Does the treatment works discharge or dispose of its wastewater in a manner not included in A.8.a through A.8.d above (e.g., underground percolation, well injection)?

Yes

No

If yes, provide the following for each disposal method:

Description of method (including location and size of site(s) if applicable):

Annual daily volume disposed of by this method:

Is disposal through this method

continuous or

intermittent?

MWRDGC Stickney Water Reclamation Plant

A.11. Description of Treatment.

a. What levels of treatment are provided? Check all that apply.

Primary Secondary
 Advanced Other. Describe: _____

b. Indicate the following removal rates (as applicable):

Design BOD₅ removal or Design CBOD₅ removal _____ 90 %
 Design SS removal _____ 90 %
 Design P removal _____ 0 %
 Design N removal _____ 0 %
 Other _____ _____ %

c. What type of disinfection is used for the effluent from this outfall? If disinfection varies by season, please describe.

Disinfection of the effluent is not required because it discharges into secondary contact waters
 If disinfection is by chlorination, is dechlorination used for this outfall? _____ Yes _____ No

d. Does the treatment plant have post aeration? _____ Yes No

A.12. Effluent Testing Information. All Applicants that discharge to waters of the US must provide effluent testing data for the following parameters. Provide the indicated effluent testing required by the permitting authority for each outfall through which effluent is discharged. Do not include information on combined sewer overflows in this section. All information reported must be based on data collected through analysis conducted using 40 CFR Part 136 methods. In addition, this data must comply with QA/QC requirements of 40 CFR Part 136 and other appropriate QA/QC requirements for standard methods for analytes not addressed by 40 CFR Part 136. At a minimum, effluent testing data must be based on at least three samples and must be no more than four and one-half years apart.

Outfall number: 001

PARAMETER	MAXIMUM DAILY VALUE		AVERAGE DAILY VALUE		
	Value	Units	Value	Units	Number of Samples
pH (Minimum)	6.1	s.u.			
pH (Maximum)	7.4	s.u.			
Flow Rate	1427	MGD	667	MGD	1461
Temperature (Winter) Nov. - Mar.	22.7	°C	13.0	°C	605
Temperature (Summer) Apr. - Oct.	29.9	°C	20.5	°C	856

* For pH please report a minimum and a maximum daily value

POLLUTANT	MAXIMUM DAILY DISCHARGE		AVERAGE DAILY DISCHARGE			ANALYTICAL METHOD	ML / MDL
	Conc.	Units	Conc.	Units	Number of Samples		

CONVENTIONAL AND NONCONVENTIONAL COMPOUNDS.

BIOCHEMICAL OXYGEN DEMAND (Report one)	BOD-5	23	mg/L	<7	mg/L	1456	SM5210B	2 mg/L
	CBOD-5	15	mg/L	<3	mg/L	1458	SM5210B	2 mg/L
FECAL COLIFORM		260,000	cfu/100ml	13,975	cfu/100ml	209	SM9222D	10 ⁴ cfu/100ml
TOTAL SUSPENDED SOLIDS (TSS)		28	mg/L	<5	mg/L	1459	SM2540D, E	3mg/L

**END OF PART A.
REFER TO THE APPLICATION OVERVIEW TO DETERMINE WHICH OTHER PARTS OF FORM 2A YOU MUST COMPLETE**

FACILITY NAME AND PERMIT NUMBER: IL0028053

Form Approved 1/14/99
OMB Number 2040-0086

MWRDGC Stickney Water Reclamation Plant

WASTEWATER DISCHARGES:

If you answered "yes" to question A.8.a, complete questions A.9 through A.12 once for each outfall (including bypass points) through which effluent is discharged. Do not include information on combined sewer overflows in this section. If you answered "no" to question A.8.a, go to Part B, "Additional Application Information for Applicants with a Design Flow Greater than or Equal to 0.1 mgd."

A.9. Description of Outfall.

- a. Outfall number 002- Primary Tank Overflow
- b. Location Stickney
(City or town, if applicable)
Cook (County) Illinois (State)
41°48'39" (Latitude) 87°46'16" (Longitude)
- c. Distance from shore (if applicable) 0 ft.
- d. Depth below surface (if applicable) 16 ft.
- e. Average daily flow rate 0 mgd
- f. Does this outfall have either an intermittent or a periodic discharge?
 Yes No (go to A.9.g.)
 If yes, provide the following information:
 Number of times per year discharge occurs: 0
 Average duration of each discharge: 0
 Average flow per discharge: 0 mgd
 Months in which discharge occurs: --
- g. Is outfall equipped with a diffuser? Yes No

A.10. Description of Receiving Waters.

- a. Name of receiving water Chicago Sanitary and Ship Canal
- b. Name of watershed (if known) _____
 United States Soil Conservation Service 14-digit watershed code (if known): _____
- c. Name of State Management/River Basin (if known): _____
 United States Geological Survey 8-digit hydrologic cataloging unit code (if known): _____
- d. Critical low flow of receiving stream (if applicable):
 acute 311* cfs chronic _____ cfs
- e. Total hardness of receiving stream at critical low flow (if applicable): 192 mg/l of CaCO₃

* NOTE: 7-day 10-year low flow (7Q10) data provided

MWRDGC Stickney Water Reclamation Plant

A.11. Description of Treatment.

a. What levels of treatment are provided? Check all that apply.

Primary Secondary
 Advanced Other. Describe: none

b. Indicate the following removal rates (as applicable):

Design BOD₅ removal or Design CBOD₅ removal 0 %
 Design SS removal 0 %
 Design P removal 0 %
 Design N removal 0 %
 Other _____ 0 %

c. What type of disinfection is used for the effluent from this outfall? If disinfection varies by season, please describe. N/A

If disinfection is by chlorination, is dechlorination used for this outfall? Yes No

d. Does the treatment plant have post aeration? Yes No

A.12. Effluent Testing Information. All Applicants that discharge to waters of the US must provide effluent testing data for the following parameters. Provide the indicated effluent testing required by the permitting authority for each outfall through which effluent is discharged. Do not include information on combined sewer overflows in this section. All information reported must be based on data collected through analysis conducted using 40 CFR Part 136 methods. In addition, this data must comply with QA/QC requirements of 40 CFR Part 136 and other appropriate QA/QC requirements for standard methods for analytes not addressed by 40 CFR Part 136. At a minimum, effluent testing data must be based on at least three samples and must be no more than four and one-half years apart.

Outfall number: 002 - N/A

PARAMETER	MAXIMUM DAILY VALUE		AVERAGE DAILY VALUE		
	Value	Units	Value	Units	Number of Samples
pH (Minimum)		s.u.			
pH (Maximum)		s.u.			
Flow Rate					
Temperature (Winter)					
Temperature (Summer)					

* For pH please report a minimum and a maximum daily value

POLLUTANT	MAXIMUM DAILY DISCHARGE		AVERAGE DAILY DISCHARGE			ANALYTICAL METHOD	ML / MDL
	Conc.	Units	Conc.	Units	Number of Samples		

CONVENTIONAL AND NONCONVENTIONAL COMPOUNDS.

BIOCHEMICAL OXYGEN DEMAND (Report one)	BOD-5						
	CBOD-5						
FECAL COLIFORM							
TOTAL SUSPENDED SOLIDS (TSS)							

**END OF PART A.
REFER TO THE APPLICATION OVERVIEW TO DETERMINE WHICH OTHER PARTS OF FORM 2A YOU MUST COMPLETE**

WASTEWATER DISCHARGES:

If you answered "yes" to question A.8.a, complete questions A.9 through A.12 once for each outfall (including bypass points) through which effluent is discharged. Do not include information on combined sewer overflows in this section. If you answered "no" to question A.8.a, go to Part B, "Additional Application Information for Applicants with a Design Flow Greater than or Equal to 0.1 mgd."

A.9. Description of Outfall.

- a. Outfall number 003-Imhoff Overflow Bypass
- b. Location Stickney
(City or town, if applicable)
Cook Illinois
(County) (State)
41° 48' 52" 87° 45' 32"
(Latitude) (Longitude)
- c. Distance from shore (if applicable) 0 ft.
- d. Depth below surface (if applicable) 10 ft.
- e. Average daily flow rate _____ mgd
- f. Does this outfall have either an intermittent or a periodic discharge?
 Yes No (go to A.9.g.)
If yes, provide the following information:
Number of times per year discharge occurs: 8 (2004)
Average duration of each discharge: 6.3 hr.
Average flow per discharge: 46.79 mgd
Months in which discharge occurs: May, June, August, November (2004)
(varies)
- g. Is outfall equipped with a diffuser?
 Yes No

A.10. Description of Receiving Waters.

- a. Name of receiving water Chicago Sanitary and Ship Canal
- b. Name of watershed (if known) _____
United States Soil Conservation Service 14-digit watershed code (if known): _____
- c. Name of State Management/River Basin (if known): _____
United States Geological Survey 8-digit hydrologic cataloging unit code (if known): _____
- d. Critical low flow of receiving stream (if applicable):
acute 311* cfs chronic _____ cfs
- e. Total hardness of receiving stream at critical low flow (if applicable): 192 mg/l of CaCO₃

*NOTE: 7-day, 10-year low flow (7Q10) data provided

FACILITY NAME AND PERMIT NUMBER: IL0028053
MWRDGC Stickney Water Reclamation Plant

Form Approved 1/14/99
OMB Number 2040-0086

WASTEWATER DISCHARGES:

If you answered "yes" to question A.8.a, complete questions A.9 through A.12 once for each outfall (including bypass points) through which effluent is discharged. Do not include information on combined sewer overflows in this section. If you answered "no" to question A.8.a, go to Part B, "Additional Application Information for Applicants with a Design Flow Greater than or Equal to 0.1 mgd."

A.9. Description of Outfall.

- a. Outfall number 004 - Pump Chamber Overflow Bypass
- b. Location Stickney
(City or town, if applicable) (Zip Code)
Cook Illinois
(County) (State)
41°48'39" 87°46'16"
(Latitude) (Longitude)
- c. Distance from shore (if applicable) 0 ft.
- d. Depth below surface (if applicable) 16 ft.
- e. Average daily flow rate 0 mgd
- f. Does this outfall have either an intermittent or a periodic discharge?
X Yes No (go to A.9.g.)
If yes, provide the following information:
Number of times per year discharge occurs: 0
Average duration of each discharge: 0
Average flow per discharge: 0 mgd
Months in which discharge occurs: —
- g. Is outfall equipped with a diffuser? Yes X No

A.10. Description of Receiving Waters.

- a. Name of receiving water Chicago Sanitary & Ship Canal
- b. Name of watershed (if known) _____
United States Soil Conservation Service 14-digit watershed code (if known): _____
- c. Name of State Management/River Basin (if known): _____
United States Geological Survey 8-digit hydrologic cataloging unit code (if known): _____
- d. Critical low flow of receiving stream (if applicable):
acute 311* cfs chronic _____ cfs
- e. Total hardness of receiving stream at critical low flow (if applicable): 192 mg/l of CaCO₃

*NOTE: 7-day, 10-year low flow (7Q10) data provided.

FACILITY NAME AND PERMIT NUMBER: IL0028053
 MWRDGC Stickney Water Reclamation Plant

Form Approved 1/14/99
 OMB Number 2040-0086

A.11. Description of Treatment.

a. What levels of treatment are provided? Check all that apply.

Primary Secondary
 Advanced Other. Describe: none

b. Indicate the following removal rates (as applicable):

Design BOD₅ removal or Design CBOD₅ removal 0 %
 Design SS removal 0 %
 Design P removal 0 %
 Design N removal 0 %
 Other _____ 0 %

c. What type of disinfection is used for the effluent from this outfall? If disinfection varies by season, please describe. N/A

If disinfection is by chlorination, is dechlorination used for this outfall? Yes No

d. Does the treatment plant have post aeration? Yes No

A.12. Effluent Testing Information. All Applicants that discharge to waters of the US must provide effluent testing data for the following parameters. Provide the indicated effluent testing required by the permitting authority for each outfall through which effluent is discharged. Do not include information on combined sewer overflows in this section. All information reported must be based on data collected through analysis conducted using 40 CFR Part 136 methods. In addition, this data must comply with QA/QC requirements of 40 CFR Part 136 and other appropriate QA/QC requirements for standard methods for analytes not addressed by 40 CFR Part 136. At a minimum, effluent testing data must be based on at least three samples and must be no more than four and one-half years apart.

Outfall number: 004 - N/A

PARAMETER	MAXIMUM DAILY VALUE		AVERAGE DAILY VALUE		
	Value	Units	Value	Units	Number of Samples
pH (Minimum)		s.u.			
pH (Maximum)		s.u.			
Flow Rate					
Temperature (Winter)					
Temperature (Summer)					

* For pH please report a minimum and a maximum daily value

POLLUTANT	MAXIMUM DAILY DISCHARGE		AVERAGE DAILY DISCHARGE			ANALYTICAL METHOD	ML / MDL
	Conc.	Units	Conc.	Units	Number of Samples		

CONVENTIONAL AND NONCONVENTIONAL COMPOUNDS.

BIOCHEMICAL OXYGEN DEMAND (Report one)	BOD-5						
	CBOD-5						
FECAL COLIFORM							
TOTAL SUSPENDED SOLIDS (TSS)							

END OF PART A.
REFER TO THE APPLICATION OVERVIEW TO DETERMINE WHICH OTHER PARTS OF FORM 2A YOU MUST COMPLETE

FACILITY NAME AND PERMIT NUMBER: IL0028053

Form Approved 1/14/99
OMB Number 2040-0086

MWRDGC Stickney Water Reclamation Plant

BASIC APPLICATION INFORMATION

PART B. ADDITIONAL APPLICATION INFORMATION FOR APPLICANTS WITH A DESIGN FLOW GREATER THAN OR EQUAL TO 0.1 MGD (100,000 gallons per day).

All applicants with a design flow rate \geq 0.1 mgd must answer questions B.1 through B.6. All others go to Part C (Certification).

B.1. Inflow and Infiltration. Estimate the average number of gallons per day that flow into the treatment works from inflow and/or infiltration.
* _____ gpd *The majority of the Stickney WRP service area is served by combined sewer systems. Therefore, it is not possible to estimate the amount.
Briefly explain any steps underway or planned to minimize inflow and infiltration.

See Attachment Form 2A, Part B1

B.2. Topographic Map. Attach to this application a topographic map of the area extending at least one mile beyond facility property boundaries. This map must show the outline of the facility and the following information. (You may submit more than one map if one map does not show the entire area.) See attached maps (with Form 1)

- a. The area surrounding the treatment plant, including all unit processes.
- b. The major pipes or other structures through which wastewater enters the treatment works and the pipes or other structures through which treated wastewater is discharged from the treatment plant. Include outfalls from bypass piping, if applicable.
- c. Each well where wastewater from the treatment plant is injected underground.
- d. Wells, springs, other surface water bodies, and drinking water wells that are: 1) within 1/4 mile of the property boundaries of the treatment works, and 2) listed in public record or otherwise known to the applicant.
- e. Any areas where the sewage sludge produced by the treatment works is stored, treated, or disposed.
- f. If the treatment works receives waste that is classified as hazardous under the Resource Conservation and Recovery Act (RCRA) by truck, rail, or special pipe, show on the map where that hazardous waste enters the treatment works and where it is treated, stored, and/or disposed.

B.3. Process Flow Diagram or Schematic. Provide a diagram showing the processes of the treatment plant, including all bypass piping and all backup power sources or redundancy in the system. Also provide a water balance showing all treatment units, including disinfection (e.g. chlorination and dechlorination). The water balance must show daily average flow rates at influent and discharge points and approximate daily flow rates between treatment units. Include a brief narrative description of the diagram. see attachment B.3

B.4. Operation/Maintenance Performed by Contractor(s).

Are any operational or maintenance aspects (related to wastewater treatment and effluent quality) of the treatment works the responsibility of a contractor? Yes No see attachment B.4

If yes, list the name, address, telephone number, and status of each contractor and describe the contractor's responsibilities (attach additional pages if necessary).

Name: _____

Mailing Address: _____

Telephone Number: _____

Responsibilities of Contractor: _____

B.5. Scheduled Improvements and Schedules of Implementation. Provide information on any uncompleted implementation schedule or uncompleted plans for improvements that will affect the wastewater treatment, effluent quality, or design capacity of the treatment works. If the treatment works has several different implementation schedules or is planning several improvements, submit separate responses to question B.5 for each. (If none, go to question B.6.)

a. List the outfall number (assigned in question A.9) for each outfall that is covered by this implementation schedule.

None

b. Indicate whether the planned improvements or implementation schedule are required by local, State, or Federal agencies.

Yes No

Stickney WRP
NPDES Permit Application No. IL 0028053
Form 2A, Part B

Item B.1. Inflow and Infiltration. Estimate the average number of gallons per day that flow into the treatment works from inflow and/or infiltration.

(*) _____ gpd

(*) Most of the Stickney WRP service area is served by combined sewer systems. Therefore, it is not possible to estimate the amount of infiltration and inflow.

Stickney WRP
NPDES Permit Application No. IL 0028053
Form 2A, Part B

Item B.1. Inflow and Infiltration. Estimate the average number of gallons per day that flow into the treatment works from inflow and/or infiltration.

(*) _____ gpd

(*) Most of the Stickney WRP service area is served by combined sewer systems. Therefore, it is not possible to estimate the amount of infiltration and inflow.

Steps to Minimize Groundwater Infiltration and Stormwater Inflow

A comprehensive program for the correction of existing deficiencies in separate sewer areas of the MWRD was initiated on January 1, 1973 with the adoption of Article 6-5 of the Manual of Procedures for the Administration of the Sewer Permit Ordinance. Under Article 6-5, all entities having jurisdiction over separate sanitary sewer systems tributary to the MWRD system were required to undertake programs for the elimination of extraneous storm and ground water flows into the sanitary sewers. In 1985 a series of meetings between MWRD officials and the IEPA and USEPA resulted in a Sewer Summit Agreement (Agreement) which established guidelines for achieving final compliance with the sewer rehabilitation requirements that were acceptable to all of the involved parties, including tributary entities.

Under the Agreement, the following two alternative options were made available to the tributary agencies:

150 gpcpd Option Average daily wet weather flow shall not exceed 150 gpcpd or optionally, documented water usage plus allowable infiltration of 500 gallons per inch diameter-mile of sewer per day;

Infiltration and Inflow Correction Action Program (ICAP) The agencies selecting this option were obligated to correct only those I/I sources that were found cost-effective to correct, based on a comparison of costs of correction vs. that of transport and treatment of excess flows.

Twenty-nine out of thirty-three separate sewer agencies tributary to the Stickney WRP chose the ICAP compliance option. Four separate sewer agencies have not achieved compliance and are in enforcement proceedings. In accordance with this Agreement the MWRD does not have authority to enforce further reduction in wet-weather flow unless, possibly, when other violations/problems occur in the system such as SSO's.

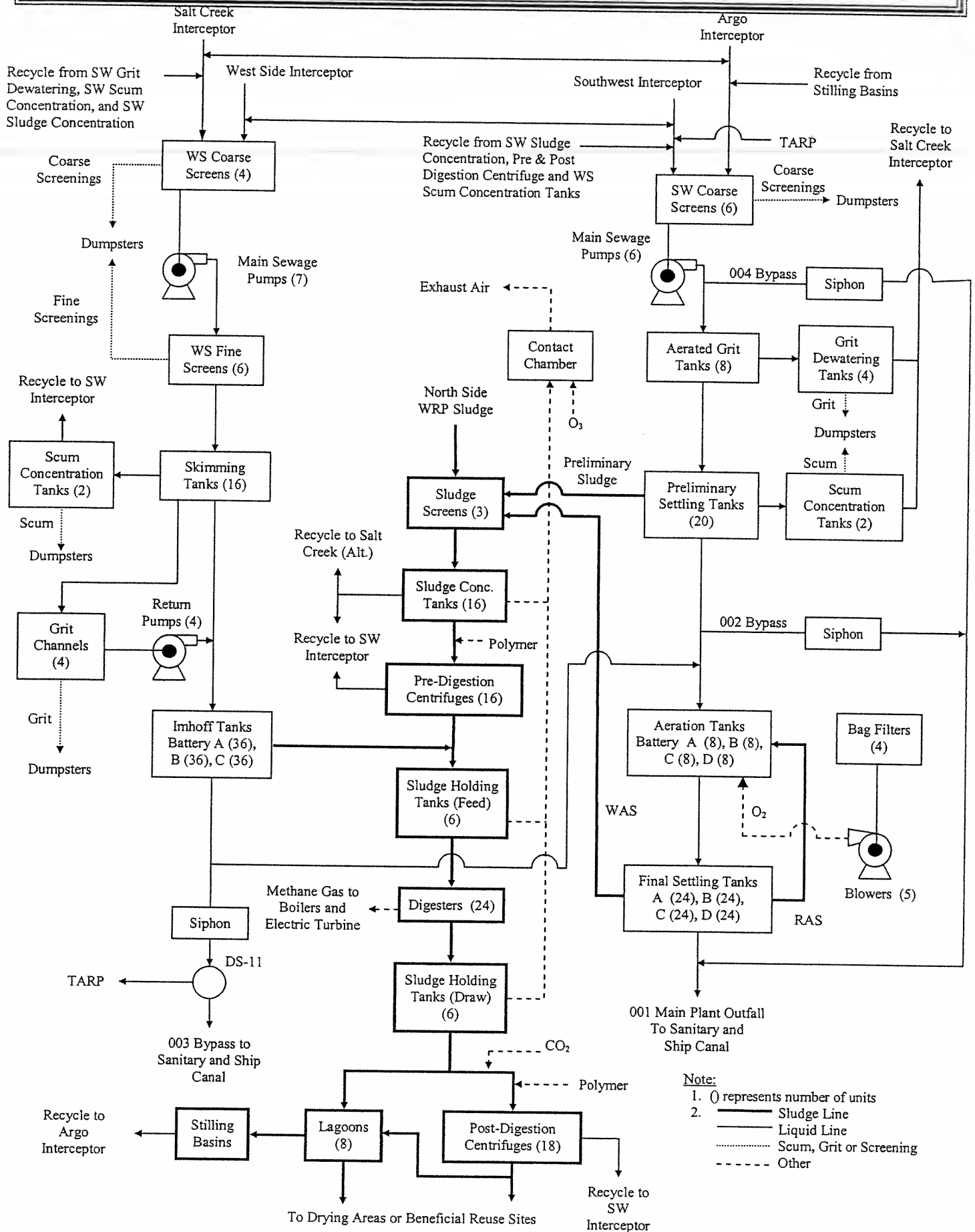
Once an agency has completed its ICAP/150 sanitary sewer rehabilitation program and is in compliance, it must implement a Long-Term Operation and Maintenance Program (LTOMP) with a view to maintain wet-weather flow in its sanitary sewer system(s) at or below the target ICAP or 150 gpcpd flow rate as applicable. The LTOMP includes private/public sector sewer and manhole inspections, maintenance/repairs, and private sector illegal connection detection and correction. These agencies as Agreement participants submit annual summary reports to the MWRD reporting their work performed under the LTOMP.

By virtue of its sewer permitting program, the MWRD regulates the quality of new sanitary sewer and storm sewer construction in separate and combined sewer areas, by requiring use of sewer materials and joints that are virtually watertight, and limiting the amount of infiltration to "100 gallons per twenty-four (24) hours per mile per inch-diameter of the sewer pipe for any section of the system and any time during its service life" (ref. Article 10-4 of the Manual of Procedures for the Administration of the Sewer Permit Ordinance). The MWRD inspects new local sewer construction before approval to connect.

By virtue of its Notification and Request for Inspection (NRI) permit program, the MWRD regulates the quality of existing sanitary sewer rehabilitation and/or replacement work including I/I control work within or outside local sewer ICAP/150 gpcpd programs within its area.

Metropolitan Water Reclamation District of Greater Chicago Stickney Water Reclamation Plant - Flow Diagram

July 2006



FACILITY NAME AND PERMIT NUMBER: IL0028053
 MWRDGC Stickney Water Reclamation Plant

c. If the answer to B.5.b is "Yes," briefly describe, including new maximum daily inflow rate (if applicable).

d. Provide dates imposed by any compliance schedule or any actual dates of completion for the implementation steps listed below, as applicable. For improvements planned independently of local, State, or Federal agencies, indicate planned or actual completion dates, as applicable. Indicate dates as accurately as possible.

Implementation Stage	Schedule	Actual Completion
	MM/DD/YYYY	MM/DD/YYYY
- Begin construction	___/___/___	___/___/___
- End construction	___/___/___	___/___/___
- Begin discharge	___/___/___	___/___/___
- Attain operational level	___/___/___	___/___/___

e. Have appropriate permits/clearances concerning other Federal/State requirements been obtained? Yes No

Describe briefly: _____

B.6. EFFLUENT TESTING DATA (GREATER THAN 0.1 MGD ONLY).

Applicants that discharge to waters of the US must provide effluent testing data for the following parameters. Provide the indicated effluent testing required by the permitting authority for each outfall through which effluent is discharged. Do not include information on combined sewer overflows in this section. All information reported must be based on data collected through analysis conducted using 40 CFR Part 136 methods. In addition, this data must comply with QA/QC requirements of 40 CFR Part 136 and other appropriate QA/QC requirements for standard methods for analytes not addressed by 40 CFR Part 136. At a minimum, effluent testing data must be based on at least three pollutant scans and must be no more than four and one-half years old.

Outfall Number: 001

POLLUTANT	MAXIMUM DAILY DISCHARGE		AVERAGE DAILY DISCHARGE			ANALYTICAL METHOD	ML / MDL
	Conc.	Units	Conc.	Units	Number of Samples		
CONVENTIONAL AND NONCONVENTIONAL COMPOUNDS.							
AMMONIA (as N)	5.53	mg/L	< 0.63	mg/L	1460	EPA 350.1	0.02 mg/L
CHLORINE (TOTAL RESIDUAL, TRC)							
DISSOLVED OXYGEN	11.1	mg/L	8.5	mg/L	1461	SM 4500D,C	
TOTAL KJELDAHL NITROGEN (TKN)	8.41	mg/L	2.01	mg/L	1437	EPA 351.2	0.08 mg/L
NITRATE PLUS NITRITE NITROGEN	17.13	mg/L	8.85	mg/L	1459	EPA 353.2	0.02 mg/L
OIL and GREASE	13	mg/L	< 3	mg/L	208	EPA 1664	3 mg/L
PHOSPHORUS (Total)	3.82	mg/L	1.24	mg/L	1458	EPA 3654	0.05 mg/L
TOTAL DISSOLVED SOLIDS (TDS)							
OTHER							

END OF PART B.
REFER TO THE APPLICATION OVERVIEW TO DETERMINE WHICH OTHER PARTS OF FORM 2A YOU MUST COMPLETE

FACILITY NAME AND PERMIT NUMBER: IL0028053

Form Approved 1/14/99
OMB Number 2040-0086

MWRDGC Stickney Water Reclamation Plant

BASIC APPLICATION INFORMATION

PART C. CERTIFICATION


All applicants must complete the Certification Section. Refer to instructions to determine who is an officer for the purposes of this certification. All applicants must complete all applicable sections of Form 2A, as explained in the Application Overview. Indicate below which parts of Form 2A you have completed and are submitting. By signing this certification statement, applicants confirm that they have reviewed Form 2A and have completed all sections that apply to the facility for which this application is submitted.

Indicate which parts of Form 2A you have completed and are submitting:

- | | |
|--|--|
| <input checked="" type="checkbox"/> Basic Application Information packet | Supplemental Application Information packet: |
| | <input checked="" type="checkbox"/> Part D (Expanded Effluent Testing Data) |
| | <input checked="" type="checkbox"/> Part E (Toxicity Testing: Biomonitoring Data) |
| | <input checked="" type="checkbox"/> Part F (Industrial User Discharges and RCRA/CERCLA Wastes) |
| | <input checked="" type="checkbox"/> Part G (Combined Sewer Systems) |

ALL APPLICANTS MUST COMPLETE THE FOLLOWING CERTIFICATION.

I certify under penalty of law that this document and all attachments were prepared under my direction or supervision in accordance with a system designed to assure that qualified personnel properly gather and evaluate the information submitted. Based on my inquiry of the person or persons who manage the system or those persons directly responsible for gathering the information, the information is, to the best of my knowledge and belief, true, accurate, and complete. I am aware that there are significant penalties for submitting false information, including the possibility of fine and imprisonment for knowing violations.

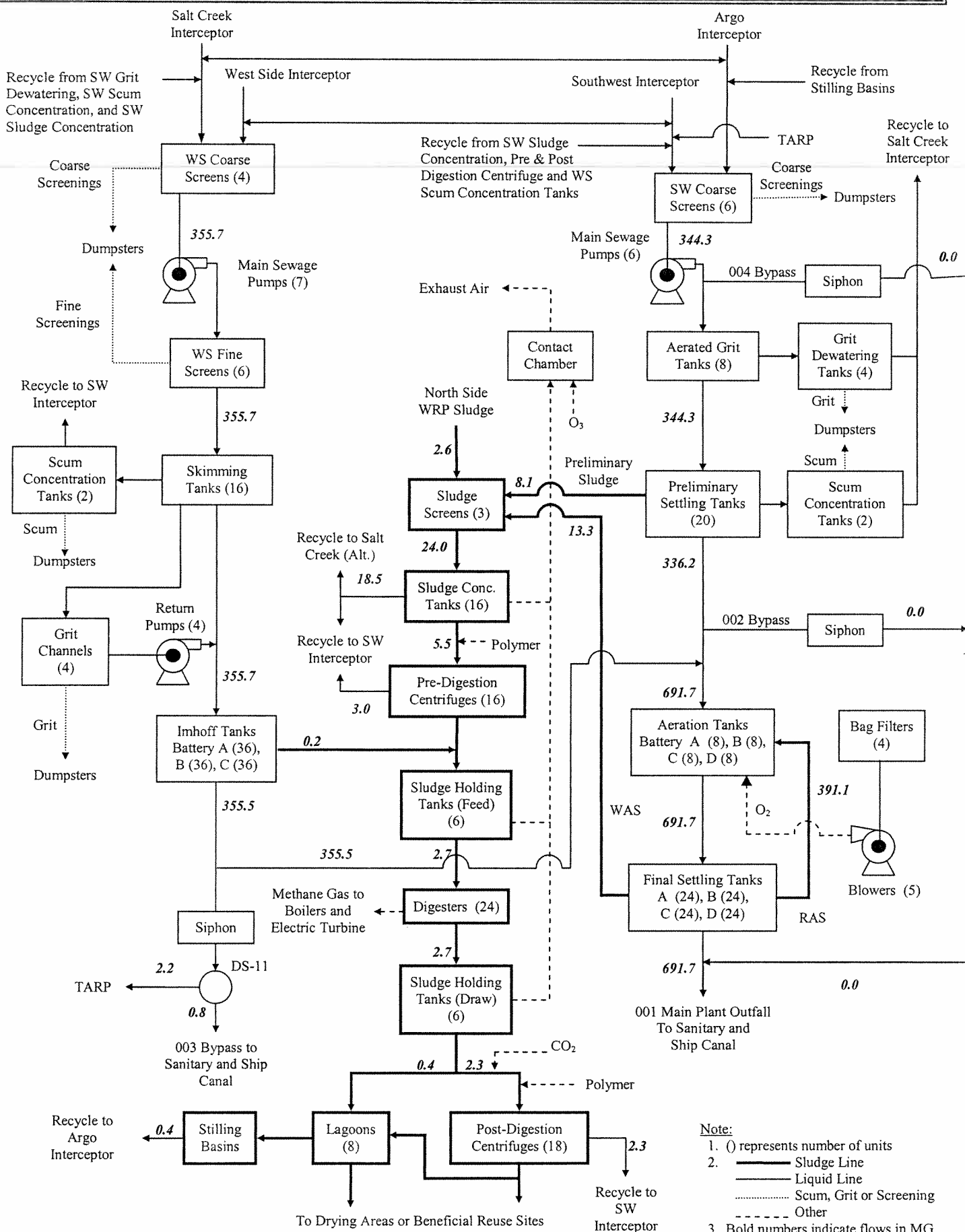
Name and official title Osoth Jamjun, Chief of Maintenance and Operations
Signature 
Telephone number 312.751.5101
Date signed _____

Upon request of the permitting authority, you must submit any other information necessary to assess wastewater treatment practices at the treatment works or identify appropriate permitting requirements.

SEND COMPLETED FORMS TO:

Metropolitan Water Reclamation District of Greater Chicago Stickney Water Reclamation Plant - Flow Diagram

July 2006



LMK

Attachment Form 2A, Part B.3

All flow data is in millions of gallons and is an average of the four year span from 2002 to 2005.

The Stickney Water Reclamation Plant (SWRP) treats wastewater with both primary and secondary treatment. A flow schematic showing the processes is attached. The primary treatment is divided between two sets of processes, with flow entering on the "West Side" and the "Southwest Side". The West Side treats through screenings, skimming tanks, and Imhoff tanks, with grit flowing through channels and sludge going directly to digesters. The Southwest Side treats via screenings, aerated grit tanks, and preliminary gravity settling tanks. Grit is dewatered and preliminary sludge is screened and concentrated before digestion. All flow then goes through a common secondary system of four-pass aeration tanks and final settling clarifiers. Sludge is anaerobically digested and then dewatered and aged for land application and other beneficial reuse.

SWRP has a dual power feed system for redundancy and backup to each process. The electrical schematic indicating the power feed redundancy is attached. Two lines come in from independent sources and each feeds half of a process. In case one line goes down, the plant will be able to operate continuously at one half of the daily flow, and ties can be switched to get the remainder back online within the hour while repairs are made to the dead feed.

Operation/Maintenance Work

Performed by Contractor(s)

CONTRACT NO.	CONTRACTOR NAME	ADDRESS	TELEPHONE	CONTRACTOR RESPONSIBILITIES
06-611-11	Independent Mechanical Ind.	4155 N. Knox Avenue Chicago, IL 60641	773 -282-4500	Provide a variety of tradespersons for repairs and alterations at various locations
06-612-11	Gosia Cartage Ltd.	6400 River Rd. Hodgkins, IL 60525	708-352-3584	Street sweeping services including equipment and operators for plant maintenance
06-614-11	ACM Elevator Co.	2293 S. Mount Prospect Rd. Des Plaines, IL 60018	847-390-3720	Elevator maintenance throughout the Stickney WRP
06-616-11	Magnetech Industrial Ser., Inc.	1125 S. Walnut St. South Bend, IN 46619	574-234-8131	Servicing, testing, and calibrating switch gear
06-656-11	Divane Bros. Electric Co.	2424 North 25th Ave. Franklin Park, IL 60131	847-455-7143	Inspection, repair, maintenance on electrical controls
06-918-11	Carrier Corp.	Carrier Parkway Syracuse, New York 13221	630-516-3278	Repair and maintenance on heating and cooling systems
06-960-11	Fence Builders of IL., Inc.	1129 E. Treeline Dr. Lockport, IL 60441	815-836-8064	Removal and installation of security fence on the perimeter of the Stickney WRP
06-961-11	Restore Masonry, LLC	5721 N. Tripp Ave. Chicago, IL 60646	773-588-4555	Tuckpointing, roofing and other rehabilitation work for Aeration Batteries A and B
06-962-11	CL Coating, LLC	8450 W. 191st St., Unit 19 Mokena, IL 60448	815-464-3053	Painting and mitigation of lead-containing coatings at the Stickney WRP & Mainstream PS
06-963-11	Accu-Paving Company	2665 S. 25th Ave. Broadview, IL 60155	708-343-5900	Pavement repairs at various locations in the Stickney WRP
06-982-11	Mecon Industries	2703 Bernice Road Lansing, IL 60438	708-474-8300	Furnishing, delivering and installing two ozone generators at the Stickney WRP
06-987-11	Swanson Contracting	11701 S. Mayfield Alsip, IL 60803	708-388-0623	Railroad track maintenance in the Stickney WRP

Stickney WRP 1L0028053

SUPPLEMENTAL APPLICATION INFORMATION

PART D. EXPANDED EFFLUENT TESTING DATA

Refer to the directions on the cover page to determine whether this section applies to the treatment works.

Effluent Testing: 1.0 mgd and Pretreatment Treatment Works. If the treatment works has a design flow greater than or equal to 1.0 mgd or it has (or is required to have) a pretreatment program, or is otherwise required by the permitting authority to provide the data, then provide effluent testing data for the following pollutants. Provide the indicated effluent testing information and any other information required by the permitting authority for each outfall through which effluent is discharged. Do not include information on combined sewer overflows in this section. All information reported must be based on data collected through analyses conducted using 40 CFR Part 136 methods. In addition, these data must comply with QA/QC requirements of 40 CFR Part 136 and other appropriate QA/QC requirements for standard methods for analytes not addressed by 40 CFR Part 136. Indicate in the blank rows provided below any data you may have on pollutants not specifically listed in this form. At a minimum, effluent testing data must be based on at least three pollutant scans and must be no more than four and one-half years old.

Outfall number: 001 (Complete once for each outfall discharging effluent to waters of the United States.)

POLLUTANT	MAXIMUM DAILY DISCHARGE			AVERAGE DAILY DISCHARGE					ANALYTICAL METHOD	ML/ MDL	
	Conc.	Units	Mass	Conc.	Units	Mass	Units	Number of Samples			
METALS (TOTAL RECOVERABLE), CYANIDE, PHENOLS, AND HARDNESS.											
ANTIMONY	0.089	mg/L		<0.009	mg/L				208		0.003 mg/L
ARSENIC	0.056	mg/L		<0.008	mg/L				1459		0.003 mg/L
BERYLLIUM	0.0018	mg/L		<0.0002	mg/L				208		0.0002 mg/L
CADMIUM	0.0069	mg/L		<0.0004	mg/L				1459		0.0004 mg/L
CHROMIUM	0.071	mg/L		<0.004	mg/L				1459		0.004 mg/L
COPPER	0.070	mg/L		<0.013	mg/L				1459		0.002 mg/L
LEAD	0.023	mg/L		<0.004	mg/L				1459		0.002 mg/L
MERCURY	0.50	ug/L		<0.08	ug/L				207	8M3112B	0.08 ug/L
NICKEL	0.040	mg/L		<0.008	mg/L				1459		0.002 mg/L
SELENIUM	0.060	mg/L		<0.007	mg/L				1459		0.003 mg/L
SILVER	0.0122	mg/L		<0.0008	mg/L				1459		0.0008 mg/L
THALLIUM	0.354	mg/L		<0.010	mg/L				208		0.003 mg/L
ZINC	0.150	mg/L		<0.045	mg/L				1459		0.004 mg/L
CYANIDE	0.032	mg/L		<0.005	mg/L				1460	8M 4500-CN	0.003 mg/L
TOTAL PHENOLIC COMPOUNDS	11	ug/L		<3	ug/L				1451	8M5530B4	3 ug/L
HARDNESS (AS CaCO ₃)	331	mg/L		228	mg/L				208	8M2340B	-

Use this space (or a separate sheet) to provide information on other metals requested by the permit writer.

FACILITY NAME AND PERMIT NUMBER:

Shickney WRP IL0008053

Form Approved 1/14/99
OMB Number 2040-0086

Outfall number: 004 (Complete once for each outfall discharging effluent to waters of the United States.)

POLLUTANT	MAXIMUM DAILY DISCHARGE				AVERAGE DAILY DISCHARGE					ANALYTICAL METHOD	ML/MDL ug/l
	Conc.	Units	Mass	Units	Conc.	Units	Mass	Units	Number of Samples		
VOLATILE ORGANIC COMPOUNDS.											
ACROLEIN	BDL								8	EPA 624	12.4
ACRYLONITRILE	BDL								8	EPA 624	1.4
BENZENE	BDL								8	EPA 624	0.9
BROMOFORM	BDL								8	EPA 624	0.6
CARBON TETRACHLORIDE	BDL								8	EPA 624	1.0
CLOROBENZENE	BDL								8	EPA 624	1.0
CHLORODIBROMO-METHANE	BDL								8	EPA 624	0.6
CHLOROETHANE	BDL								8	EPA 624	2.0
2-CHLORO-ETHYL VINYL ETHER	BDL								8	EPA 624	0.8
CHLOROFORM	BDL								8	EPA 624	0.9
DICHLOROBROMO-METHANE	BDL								8	EPA 624	0.7
1,1-DICHLOROETHANE	BDL								8	EPA 624	0.9
1,2-DICHLOROETHANE	BDL								8	EPA 624	0.8
TRANS-1,2-DICHLORO-ETHYLENE	BDL								8	EPA 624	1.0
1,1-DICHLOROETHYLENE	BDL								8	EPA 624	1.3
1,2-DICHLOROPROPANE	BDL								8	EPA 624	0.9
1,3-DICHLORO-PROPYLENE	BDL								8	EPA 624	0.3
ETHYLBENZENE	BDL								8	EPA 624	0.9
METHYL BROMIDE	BDL								8	EPA 624	2.1
METHYL CHLORIDE	BDL								8	EPA 624	1.6
METHYLENE CHLORIDE	BDL								8	EPA 624	1.2
1,1,2,2-TETRACHLORO-ETHANE	BDL								8	EPA 624	1.4
TETRACHLORO-ETHYLENE	BDL								8	EPA 624	1.1
TOLUENE	BDL								8	EPA 624	1.1

FACILITY NAME AND PERMIT NUMBER:

Stackney WEP 1L0028053

Form Approved 1/14/99
OMB Number 2040-0086

Outfall number: 001 (Complete once for each outfall discharging effluent to waters of the United States.)

POLLUTANT	MAXIMUM DAILY DISCHARGE			AVERAGE DAILY DISCHARGE					ANALYTICAL METHOD	ML/MDL ug/l
	Conc.	Units	Mass	Conc.	Units	Mass	Units	Number of Samples		
1,1,1-TRICHLOROETHANE	BDL							8	EPA 624	1.1
1,1,2-TRICHLOROETHANE	BDL							8	EPA 624	0.8
TRICHLOROETHYLENE	BDL							8	EPA 624	1.0
VINYL CHLORIDE	BDL							8	EPA 624	0.09

Use this space (or a separate sheet) to provide information on other volatile organic compounds requested by the permit writer.

ACID-EXTRACTABLE COMPOUNDS

P-CHLORO-M-CRESOL	BDL							8	EPA 625	2.4
2-CHLOROPHENOL	BDL							8	EPA 625	2.2
2,4-DICHLOROPHENOL	BDL							8	EPA 625	2.4
2,4-DIMETHYLPHENOL	BDL							8	EPA 625	1.9
4,6-DINITRO-O-CRESOL	BDL							8	EPA 625	9.2
2,4-DINITROPHENOL	BDL							8	EPA 625	8.0
2-NITROPHENOL	BDL							8	EPA 625	2.2
4-NITROPHENOL	BDL							8	EPA 625	3.5
PENTACHLOROPHENOL	BDL							8	EPA 625	9.7
PHENOL	BDL							8	EPA 625	1.3
2,4,6-TRICHLOROPHENOL	BDL							8	EPA 625	2.0

Use this space (or a separate sheet) to provide information on other acid-extractable compounds requested by the permit writer.

BASE-NEUTRAL COMPOUNDS

ACENAPHTHENE	BDL							8	EPA 625	1.5
ACENAPHTHYLENE	BDL							8	EPA 625	1.7
ANTHRACENE	BDL							8	EPA 625	0.9
BENZIDINE	BDL							8	EPA 625	8.6
BENZO(A)ANTHRACENE	BDL							8	EPA 625	0.9

BENZO(A)PYRENE BDL 8 EPA 625 0.5

FACILITY NAME AND PERMIT NUMBER:

Form Approved 1/14/99
OMB Number 2040-0086

Stickney WRP IL0028053

Outfall number: 001 (Complete once for each outfall discharging effluent to waters of the United States.)

POLLUTANT	MAXIMUM DAILY DISCHARGE				AVERAGE DAILY DISCHARGE					ANALYTICAL METHOD	ML/MDL $\mu\text{g/L}$
	Conc.	Units	Mass	Units	Conc.	Units	Mass	Units	Number of Samples		
3,4 BENZO-FLUORANTHENE	BDL								8	EPA 625	0.6
BENZO(GHI)PERYLENE	BDL								8	EPA 625	0.7
BENZO(K)FLUORANTHENE	BDL								8	EPA 625	0.6
BIS (2-CHLOROETHOXY) METHANE	BDL								8	EPA 625	1.9
BIS (2-CHLOROETHYL)-ETHER	BDL								8	EPA 625	2.0
BIS (2-CHLOROISO-PROPYL) ETHER	BDL								8	EPA 625	2.1
BIS (2-ETHYLHEXYL) PHTHALATE	BDL								8	EPA 625	5.6
4-BROMOPHENYL PHENYL ETHER	BDL								8	EPA 625	1.2
BUTYL BENZYL PHTHALATE	BDL								8	EPA 625	1.2
2-CHLORONAPHTHALENE	BDL								8	EPA 625	1.4
4-CHLORPHENYL PHENYL ETHER	BDL								8	EPA 625	1.4
CHRYSENE	BDL								8	EPA 625	0.7
DI-N-BUTYL PHTHALATE	BDL								8	EPA 625	1.6
DI-N-OCTYL PHTHALATE	BDL								8	EPA 625	1.9
DIBENZO(A,H) ANTHRACENE	BDL								8	EPA 625	0.5
1,2-DICHLOROENZENE	BDL								8	EPA 625	1.4
1,3-DICHLOROENZENE	BDL								8	EPA 625	1.4
1,4-DICHLOROENZENE	BDL								8	EPA 625	1.3
3,3-DICHLOROENZIDINE	BDL								8	EPA 625	3.8
DIETHYL PHTHALATE	BDL								8	EPA 625	2.1
DIMETHYL PHTHALATE	BDL								8	EPA 625	1.3
2,4-DINITROTOLUENE	BDL								8	EPA 625	1.2
2,6-DINITROTOLUENE	BDL								8	EPA 625	1.6

1,2-DIPHENYLHYDRAZINE BDL 8 EPA 625 1.4

FACILITY NAME AND PERMIT NUMBER:
Stickney WRP 1L0028053

Form Approved 1/14/99
 OMB Number 2040-0086

Outfall number: 801 (Complete once for each outfall discharging effluent to waters of the United States.)

POLLUTANT	MAXIMUM DAILY DISCHARGE				AVERAGE DAILY DISCHARGE					ANALYTICAL METHOD	ML/MDL <u>ug/l</u>
	Conc.	Units	Mass	Units	Conc.	Units	Mass	Units	Number of Samples		
FLUORANTHENE	BDL								8	EPA 625	6.7
FLUORENE	BDL								8	EPA 625	1.3
HEXACHLOROBENZENE	BDL								8	EPA 625	1.2
HEXACHLOROBUTADIENE	BDL								8	EPA 625	1.6
HEXACHLOROCYCLO-PENTADIENE	BDL								8	EPA 625	35.0
HEXACHLOROETHANE	BDL								8	EPA 625	1.5
INDENO(1,2,3-CD)PYRENE	BDL								8	EPA 625	0.8
ISOPHORONE	BDL								8	EPA 625	2.1
NAPHTHALENE	BDL								8	EPA 625	1.4
NITROBENZENE	BDL								8	EPA 625	2.7
N-NITROSODI-N-PROPYLAMINE	BDL								8	EPA 625	2.1
N-NITROSODI- METHYLAMINE	BDL								8	EPA 625	1.7
N-NITROSODI-PHENYLAMINE	BDL								8	EPA 625	1.2
PHENANTHRENE	BDL								8	EPA 625	0.8
PYRENE	BDL								8	EPA 625	0.8
1,2,4-TRICHLOROBENZENE	BDL								8	EPA 625	1.4

Use this space (or a separate sheet) to provide information on other base-neutral compounds requested by the permit writer.

Use this space (or a separate sheet) to provide information on other pollutants (e.g., pesticides) requested by the permit writer.

END OF PART D.
REFER TO THE APPLICATION OVERVIEW TO DETERMINE WHICH OTHER PARTS OF FORM 2A YOU MUST COMPLETE

SUPPLEMENTAL APPLICATION INFORMATION

PART E. TOXICITY TESTING DATA

POTWs meeting one or more of the following criteria must provide the results of whole effluent toxicity tests for acute or chronic toxicity for each of the facility's discharge points: 1) POTWs with a design flow rate greater than or equal to 1.0 mgd; 2) POTWs with a pretreatment program (or those that are required to have one under 40 CFR Part 403); or 3) POTWs required by the permitting authority to submit data for these parameters.

- At a minimum, these results must include quarterly testing for a 12-month period within the past 1 year using multiple species (minimum of two species), or the results from four tests performed at least annually in the four and one-half years prior to the application, provided the results show no appreciable toxicity, and testing for acute and/or chronic toxicity, depending on the range of receiving water dilution. Do not include information on combined sewer overflows in this section. All information reported must be based on data collected through analysis conducted using 40 CFR Part 136 methods. In addition, this data must comply with QA/QC requirements of 40 CFR Part 136 and other appropriate QA/QC requirements for standard methods for analytes not addressed by 40 CFR Part 136.
- In addition, submit the results of any other whole effluent toxicity tests from the past four and one-half years. If a whole effluent toxicity test conducted during the past four and one-half years revealed toxicity, provide any information on the cause of the toxicity or any results of a toxicity reduction evaluation, if one was conducted.
- If you have already submitted any of the information requested in Part E, you need not submit it again. Rather, provide the information requested in question E.4 for previously submitted information. If EPA methods were not used, report the reasons for using alternate methods. If test summaries are available that contain all of the information requested below, they may be submitted in place of Part E.

If no biomonitoring data is required, do not complete Part E. Refer to the Application Overview for directions on which other sections of the form to complete.

E.1. Required Tests.

Indicate the number of whole effluent toxicity tests conducted in the past four and one-half years.

20 chronic 2 acute

E.2. Individual Test Data. Complete the following chart for each whole effluent toxicity test conducted in the last four and one-half years. Allow one column per test (where each species constitutes a test). Copy this page if more than three tests are being reported.

Test number: 1 Test number: 2 Test number: _____

a. Test information.

Test species & test method number	C. dubia 2002.0	C. dubia 2002.0	
Age at initiation of test	<24 hr old	<24 hr old	
Outfall number			
Dates sample collected	August 15-16, 2005	April 4-5, 2005	
Date test started	August 16, 2005	April 5, 2005	
Duration	48 h	48 h	

b. Give toxicity test methods followed.

Manual title	See below	See below	
Edition number and year of publication	5 th Ed. 2002	5 th Ed. 2002	
Page number(s)	41-50	41-50	

c. Give the sample collection method (s) used. For multiple grab samples, indicate the number of grab samples used.

24-Hour composite	X	X	
Grab	5 Grab Samples	5 Grab Samples	

d. Indicate where the sample was taken in relation to disinfection. (Check all that apply for each)

Before disinfection	X	X	
After disinfection			
After dechlorination			

FACILITY NAME AND PERMIT NUMBER:
 Stickney Water Reclamation Plant
 NPDES Permit No. IL0028053

Test number: 1

Test number: 2

Test number: _____

e. Describe the point in the treatment process at which the sample was collected.

Sample was collected:	Final Effluent	Final Effluent	
-----------------------	----------------	----------------	--

f. For each test, include whether the test was intended to assess chronic toxicity, acute toxicity, or both.

Chronic toxicity			
Acute toxicity	X	X	

g. Provide the type of test performed.

Static	X	X	
Static -renewal			
Flow-through			

h. Source of dilution water. If laboratory water, specify type; if receiving water, specify source.

Laboratory water	HSW	HSW	
Receiving water			

i. Type of dilution water. If salt water, specify "natural" or type of artificial sea salts or brine used.

Fresh water	X	X	
Salt water			

j. Give the percentage effluent used for all concentrations in the test series.

	100, 50, 25,	100, 50, 25,	
	12.5, 6.25	12.5, 6.25	

k. Parameters measured during the test. (State whether parameter meets test method specifications)

pH	Yes	Yes	
Salinity	NA	NA	
Temperature	Yes	Yes	
Ammonia	Yes	Yes	
Dissolved oxygen	Yes	Yes	

l. Test Results.

Acute:			
Percent survival in 100% effluent	100%	100%	%
LC ₅₀	>100%	>100%	
95% C.I.	%	%	%
Control percent survival	100%	100%	%
Other (describe)			

FACILITY NAME AND PERMIT NUMBER:
 Stickney Water Reclamation Plant
 NPDES Permit No. IL0028053

Chronic:

NOEC			
IC ₂₅			
Control percent survival			
Other (describe)			

m. Quality Control/Quality Assurance.

Is reference toxicant data available?	Yes	Yes	
Was reference toxicant test within acceptable bounds?	Yes	Yes	
What date was reference toxicant test run (MM/DD/YYYY)?	8/16/2005	4/5/2005	
Other (describe)			

E.3. Toxicity Reduction Evaluation. Is the treatment works involved in a Toxicity Reduction Evaluation?

Yes No Is yes, describe: _____

E.4. Summary of Submitted Biomonitoring Test Information. If you have submitted biomonitoring test information, or information regarding the cause of toxicity, within the past four and one-half years, provide the dates the information was submitted to the permitting authority and a summary of the results.

Date submitted: 4/25/2005
10/7/2005 (MM/DD/YYYY)

Summary of results: (see instructions)

The results indicated that the tests were valid and that the effluent sample collected was not
acutely toxic to Ceriodaphnia dubia.

**END OF PART E.
 REFER TO THE APPLICATION OVERVIEW TO DETERMINE WHICH OTHER PARTS OF FORM
 2A YOU MUST COMPLETE.**

SUPPLEMENTAL APPLICATION INFORMATION

PART E. TOXICITY TESTING DATA

POTWs meeting one or more of the following criteria must provide the results of whole effluent toxicity tests for acute or chronic toxicity for each of the facility's discharge points: 1) POTWs with a design flow rate greater than or equal to 1.0 mgd; 2) POTWs with a pretreatment program (or those that are required to have one under 40 CFR Part 403); or 3) POTWs required by the permitting authority to submit data for these parameters.

- At a minimum, these results must include quarterly testing for a 12-month period within the past 1 year using multiple species (minimum of two species), or the results from four tests performed at least annually in the four and one-half years prior to the application, provided the results show no appreciable toxicity, and testing for acute and/or chronic toxicity, depending on the range of receiving water dilution. Do not include information on combined sewer overflows in this section. All information reported must be based on data collected through analysis conducted using 40 CFR Part 136 methods. In addition, this data must comply with QA/QC requirements of 40 CFR Part 136 and other appropriate QA/QC requirements for standard methods for analytes not addressed by 40 CFR Part 136.
- In addition, submit the results of any other whole effluent toxicity tests from the past four and one-half years. If a whole effluent toxicity test conducted during the past four and one-half years revealed toxicity, provide any information on the cause of the toxicity or any results of a toxicity reduction evaluation, if one was conducted.
- If you have already submitted any of the information requested in Part E, you need not submit it again. Rather, provide the information requested in question E.4 for previously submitted information. If EPA methods were not used, report the reasons for using alternate methods. If test summaries are available that contain all of the information requested below, they may be submitted in place of Part E.

If no biomonitoring data is required, do not complete Part E. Refer to the Application Overview for directions on which other sections of the form to complete.

E.1. Required Tests.

Indicate the number of whole effluent toxicity tests conducted in the past four and one-half years.

____chronic ____acute

E.2. Individual Test Data. Complete the following chart for each whole effluent toxicity test conducted in the last four and one-half years. Allow one column per test (where each species constitutes a test). Copy this page if more than three tests are being reported.

Test number: 3 Test number: 4 Test number: _____

a. Test information.

Test species & test method number	P. promelas 1000.0	C. dubia 1002.0	
Age at initiation of test	<24 hr old	<24 hr old	
Outfall number			
Dates sample collected	9/13-18/2004	9/13-18/2004	
Date test started	9/15/2004	9/15/2004	
Duration	7 days	7 days	

b. Give toxicity test methods followed.

Manual title	See below	See below	
Edition number and year of publication	4 th Ed. 2002	4 th Ed. 2002	
Page number(s)	75-76	164-165	

c. Give the sample collection method (s) used. For multiple grab samples, indicate the number of grab samples used.

24-Hour composite	X	X	
Grab	5 Grab Samples	5 Grab Samples	

d. Indicate where the sample was taken in relation to disinfection. (Check all that apply for each)

Before disinfection	X	X	
After disinfection			
After dechlorination			

Test number: 3

Test number: 4

Test number: _____

e. Describe the point in the treatment process at which the sample was collected.

Sample was collected:	Final Effluent	Final Effluent	
-----------------------	----------------	----------------	--

f. For each test, include whether the test was intended to assess chronic toxicity, acute toxicity, or both.

Chronic toxicity	X	X	
Acute toxicity			

g. Provide the type of test performed.

Static			
Static -renewal	X	X	
Flow-through			

h. Source of dilution water. If laboratory water, specify type; if receiving water, specify source.

Laboratory water	HSW	HSW	
Receiving water			

i. Type of dilution water. If salt water, specify "natural" or type of artificial sea salts or brine used.

Fresh water	X	X	
Salt water			

j. Give the percentage effluent used for all concentrations in the test series.

	100, 75, 50, 25	100, 75, 50, 25	
	12.5	12.5	

k. Parameters measured during the test. (State whether parameter meets test method specifications)

pH	Yes	Yes	
Salinity	NA	NA	
Temperature	Yes	Yes	
Ammonia	Yes	Yes	
Dissolved oxygen	Yes	Yes	

l. Test Results.

Acute:			
Percent survival in 100% effluent	%	%	%
LC ₅₀	%	%	%
95% C.I.	%	%	%
Control percent survival	%	%	%
Other (describe)			

FACILITY NAME AND PERMIT NUMBER:
Stickney Water Reclamation Plant
NPDES Permit No. IL0028053

Chronic:

NOEC	100%	100%	
IC ₂₅	%	%	
Control percent survival	100%	90%	
Other (describe)			

m. Quality Control/Quality Assurance.

Is reference toxicant data available?	Yes	Yes	
Was reference toxicant test within acceptable bounds?	Yes	Yes	
What date was reference toxicant test run (MM/DD/YYYY)?	09/13-18/2004	09/13-18/2004	
Other (describe)			

E.3. Toxicity Reduction Evaluation. Is the treatment works involved in a Toxicity Reduction Evaluation?

Yes No If yes, describe: _____

E.4. Summary of Submitted Biomonitoring Test Information. If you have submitted biomonitoring test information, or information regarding the cause of toxicity, within the past four and one-half years, provide the dates the information was submitted to the permitting authority and a summary of the results.

Date submitted: 12/06/2005 (MM/DD/YYYY)

Summary of results: (see instructions)

The results indicate the that tests were valid and the effluent sample collected was not
chronically toxic to P. promelas and C. dubia.

END OF PART E.
REFER TO THE APPLICATION OVERVIEW TO DETERMINE WHICH OTHER PARTS OF FORM 2A YOU MUST COMPLETE.

FACILITY NAME AND PERMIT NUMBER:
Stickney Water Reclamation Plant
NPDES Permit No. IL0028053

SUPPLEMENTAL APPLICATION INFORMATION

PART E. TOXICITY TESTING DATA

POTWs meeting one or more of the following criteria must provide the results of whole effluent toxicity tests for acute or chronic toxicity for each of the facility's discharge points: 1) POTWs with a design flow rate greater than or equal to 1.0 mgd; 2) POTWs with a pretreatment program (or those that are required to have one under 40 CFR Part 403); or 3) POTWs required by the permitting authority to submit data for these parameters.

- At a minimum, these results must include quarterly testing for a 12-month period within the past 1 year using multiple species (minimum of two species), or the results from four tests performed at least annually in the four and one-half years prior to the application, provided the results show no appreciable toxicity, and testing for acute and/or chronic toxicity, depending on the range of receiving water dilution. Do not include information on combined sewer overflows in this section. All information reported must be based on data collected through analysis conducted using 40 CFR Part 136 methods. In addition, this data must comply with QA/QC requirements of 40 CFR Part 136 and other appropriate QA/QC requirements for standard methods for analytes not addressed by 40 CFR Part 136.
- In addition, submit the results of any other whole effluent toxicity tests from the past four and one-half years. If a whole effluent toxicity test conducted during the past four and one-half years revealed toxicity, provide any information on the cause of the toxicity or any results of a toxicity reduction evaluation, if one was conducted.
- If you have already submitted any of the information requested in Part E, you need not submit it again. Rather, provide the information requested in question E.4 for previously submitted information. If EPA methods were not used, report the reasons for using alternate methods. If test summaries are available that contain all of the information requested below, they may be submitted in place of Part E.

If no biomonitoring data is required, do not complete Part E. Refer to the Application Overview for directions on which other sections of the form to complete.

E.1. Required Tests.

Indicate the number of whole effluent toxicity tests conducted in the past four and one-half years.
 ____ chronic ____ acute

E.2. Individual Test Data. Complete the following chart for each whole effluent toxicity test conducted in the last four and one-half years. Allow one column per test (where each species constitutes a test). Copy this page if more than three tests are being reported.

Test number: 5 Test number: 6 Test number:

a. Test information.

Test species & test method number	P. promelas 1000.0	C. dubia 1002.0	
Age at initiation of test	<24 hr old	<24 hr old	
Outfall number			
Dates sample collected	7/5-10/2004	7/5-10/2004	
Date test started	7/07/2004	7/07/2004	
Duration	7 days	7 days	

b. Give toxicity test methods followed.

Manual title	See below	See below	
Edition number and year of publication	4 th Ed. 2002	4 th Ed. 2002	
Page number(s)	75-76	164-165	

c. Give the sample collection method (s) used. For multiple grab samples, indicate the number of grab samples used.

24-Hour composite	X	X	
Grab	5 Grab Samples	5 Grab Samples	

d. Indicate where the sample was taken in relation to disinfection. (Check all that apply for each)

Before disinfection	X	X	
After disinfection			
After dechlorination			

Test number: <u> 5 </u> Test number: <u> 6 </u> Test number: <u> </u>			
e. Describe the point in the treatment process at which the sample was collected.			
Sample was collected:	Final Effluent	Final Effluent	
f. For each test, include whether the test was intended to assess chronic toxicity, acute toxicity, or both.			
Chronic toxicity	X	X	
Acute toxicity			
g. Provide the type of test performed.			
Static			
Static -renewal	X	X	
Flow-through			
h. Source of dilution water. If laboratory water, specify type; if receiving water, specify source.			
Laboratory water	HSW	HSW	
Receiving water			
i. Type of dilution water. If salt water, specify "natural" or type of artificial sea salts or brine used.			
Fresh water	X	X	
Salt water			
j. Give the percentage effluent used for all concentrations in the test series.			
	100, 75, 50, 25	100, 75, 50, 25	
	12.5	12.5	
k. Parameters measured during the test. (State whether parameter meets test method specifications)			
pH	Yes	Yes	
Salinity	NA	NA	
Temperature	Yes	Yes	
Ammonia	Yes	Yes	
Dissolved oxygen	Yes	Yes	
l. Test Results.			
Acute:			
Percent survival in 100% effluent	%	%	%
LC ₅₀	%	%	%
95% C.I.	%	%	%
Control percent survival	%	%	%
Other (describe)			

FACILITY NAME AND PERMIT NUMBER:
Stickney Water Reclamation Plant
NPDES Permit No. IL0028053

Chronic:

NOEC	100%	100%	
IC ₂₅	%	%	
Control percent survival	100%	100%	
Other (describe)			

m. Quality Control/Quality Assurance.

Is reference toxicant data available?	Yes	Yes	
Was reference toxicant test within acceptable bounds?	Yes	Yes	
What date was reference toxicant test run (MM/DD/YYYY)?	07/07/2004	07/07/2004	
Other (describe)			

E.3. Toxicity Reduction Evaluation. Is the treatment works involved in a Toxicity Reduction Evaluation?

Yes No If yes, describe: _____

E.4. Summary of Submitted Biomonitoring Test Information. If you have submitted biomonitoring test information, or information regarding the cause of toxicity, within the past four and one-half years, provide the dates the information was submitted to the permitting authority and a summary of the results.

Date submitted: 12/06/2005 (MM/DD/YYYY)

Summary of results: (see instructions)

The results indicate that the tests were valid and the effluent sample collected was not chronically toxic to P. promelas and C. dubia.

**END OF PART E.
REFER TO THE APPLICATION OVERVIEW TO DETERMINE WHICH OTHER PARTS OF FORM
2A YOU MUST COMPLETE.**

SUPPLEMENTAL APPLICATION INFORMATION

PART E. TOXICITY TESTING DATA

POTWs meeting one or more of the following criteria must provide the results of whole effluent toxicity tests for acute or chronic toxicity for each of the facility's discharge points: 1) POTWs with a design flow rate greater than or equal to 1.0 mgd; 2) POTWs with a pretreatment program (or those that are required to have one under 40 CFR Part 403); or 3) POTWs required by the permitting authority to submit data for these parameters.

- At a minimum, these results must include quarterly testing for a 12-month period within the past 1 year using multiple species (minimum of two species), or the results from four tests performed at least annually in the four and one-half years prior to the application, provided the results show no appreciable toxicity, and testing for acute and/or chronic toxicity, depending on the range of receiving water dilution. Do not include information on combined sewer overflows in this section. All information reported must be based on data collected through analysis conducted using 40 CFR Part 136 methods. In addition, this data must comply with QA/QC requirements of 40 CFR Part 136 and other appropriate QA/QC requirements for standard methods for analytes not addressed by 40 CFR Part 136.
- In addition, submit the results of any other whole effluent toxicity tests from the past four and one-half years. If a whole effluent toxicity test conducted during the past four and one-half years revealed toxicity, provide any information on the cause of the toxicity or any results of a toxicity reduction evaluation, if one was conducted.
- If you have already submitted any of the information requested in Part E, you need not submit it again. Rather, provide the information requested in question E.4 for previously submitted information. If EPA methods were not used, report the reasons for using alternate methods. If test summaries are available that contain all of the information requested below, they may be submitted in place of Part E.

If no biomonitoring data is required, do not complete Part E. Refer to the Application Overview for directions on which other sections of the form to complete.

E.1. Required Tests.

Indicate the number of whole effluent toxicity tests conducted in the past four and one-half years.

____chronic ____acute

E.2. Individual Test Data. Complete the following chart for each whole effluent toxicity test conducted in the last four and one-half years. Allow one column per test (where each species constitutes a test). Copy this page if more than three tests are being reported.

Test number: 7 Test number: 8 Test number: _____

a. Test information.

Test species & test method number	P. promelas 1000.0	C. dubia 1002.0	
Age at initiation of test	<24 hr old	<24 hr old	
Outfall number			
Dates sample collected	4/19-24/2004	4/19-24/2004	
Date test started	4/21/2004	4/21/2004	
Duration	7 days	7 days	

b. Give toxicity test methods followed.

Manual title	See below	See below	
Edition number and year of publication	4 th Ed. 2002	4 th Ed. 2002	
Page number(s)	75-76	164-165	

c. Give the sample collection method (s) used. For multiple grab samples, indicate the number of grab samples used.

24-Hour composite	X	X	
Grab	5 Grab Samples	5 Grab Samples	

d. Indicate where the sample was taken in relation to disinfection. (Check all that apply for each)

Before disinfection	X	X	
After disinfection			
After dechlorination			

FACILITY NAME AND PERMIT NUMBER:
Stickney Water Reclamation Plant
NPDES Permit No. IL0028053

Test number: 7 Test number: 8 Test number: _____

e. Describe the point in the treatment process at which the sample was collected.

Sample was collected:	Final Effluent	Final Effluent	
-----------------------	----------------	----------------	--

f. For each test, include whether the test was intended to assess chronic toxicity, acute toxicity, or both.

Chronic toxicity	X	X	
Acute toxicity			

g. Provide the type of test performed.

Static			
Static -renewal	X	X	
Flow-through			

h. Source of dilution water. If laboratory water, specify type; if receiving water, specify source.

Laboratory water	HSW	HSW	
Receiving water			

i. Type of dilution water. If salt water, specify "natural" or type of artificial sea salts or brine used.

Fresh water	X	X	
Salt water			

j. Give the percentage effluent used for all concentrations in the test series.

	100, 75, 50, 25	100, 75, 50, 25	
	12.5	12.5	

k. Parameters measured during the test. (State whether parameter meets test method specifications)

pH	Yes	Yes	
Salinity	NA	NA	
Temperature	Yes	Yes	
Ammonia	Yes	Yes	
Dissolved oxygen	Yes	Yes	

l. Test Results.

Acute:			
Percent survival in 100% effluent	%	%	%
LC ₅₀	%	%	
95% C.I.	%	%	%
Control percent survival	%	%	%
Other (describe)			

FACILITY NAME AND PERMIT NUMBER:
 Stickney Water Reclamation Plant
 NPDES Permit No. IL0028053

Form Approved 1/14/99
 OMB Number 2040-0086

Chronic:

NOEC	100%	100%	
IC ₂₅	%	%	
Control percent survival	97.5%	100%	
Other (describe)			

m. Quality Control/Quality Assurance.

Is reference toxicant data available?	Yes	Yes	
Was reference toxicant test within acceptable bounds?	Yes	Yes	
What date was reference toxicant test run (MM/DD/YYYY)?	4/21/2004	4/21/2004	
Other (describe)			

E.3. Toxicity Reduction Evaluation. Is the treatment works involved in a Toxicity Reduction Evaluation?

Yes No

If yes, describe: _____

E.4. Summary of Submitted Biomonitoring Test Information. If you have submitted biomonitoring test information, or information regarding the cause of toxicity, within the past four and one-half years, provide the dates the information was submitted to the permitting authority and a summary of the results.

Date submitted: 12/06/2005 (MM/DD/YYYY)

Summary of results: (see instructions)

The results indicate that the tests were valid and the effluent sample collected was not chronically toxic to P. promelas and C. dubia.

END OF PART E.

REFER TO THE APPLICATION OVERVIEW TO DETERMINE WHICH OTHER PARTS OF FORM 2A YOU MUST COMPLETE.

FACILITY NAME AND PERMIT NUMBER:
Stickney Water Reclamation Plant
NPDES Permit No. IL0028053

SUPPLEMENTAL APPLICATION INFORMATION

PART E. TOXICITY TESTING DATA

POTWs meeting one or more of the following criteria must provide the results of whole effluent toxicity tests for acute or chronic toxicity for each of the facility's discharge points: 1) POTWs with a design flow rate greater than or equal to 1.0 mgd; 2) POTWs with a pretreatment program (or those that are required to have one under 40 CFR Part 403); or 3) POTWs required by the permitting authority to submit data for these parameters.

- At a minimum, these results must include quarterly testing for a 12-month period within the past 1 year using multiple species (minimum of two species), or the results from four tests performed at least annually in the four and one-half years prior to the application, provided the results show no appreciable toxicity, and testing for acute and/or chronic toxicity, depending on the range of receiving water dilution. Do not include information on combined sewer overflows in this section. All information reported must be based on data collected through analysis conducted using 40 CFR Part 136 methods. In addition, this data must comply with QA/QC requirements of 40 CFR Part 136 and other appropriate QA/QC requirements for standard methods for analytes not addressed by 40 CFR Part 136.
- In addition, submit the results of any other whole effluent toxicity tests from the past four and one-half years. If a whole effluent toxicity test conducted during the past four and one-half years revealed toxicity, provide any information on the cause of the toxicity or any results of a toxicity reduction evaluation, if one was conducted.
- If you have already submitted any of the information requested in Part E, you need not submit it again. Rather, provide the information requested in question E.4 for previously submitted information. If EPA methods were not used, report the reasons for using alternate methods. If test summaries are available that contain all of the information requested below, they may be submitted in place of Part E.

If no biomonitoring data is required, do not complete Part E. Refer to the Application Overview for directions on which other sections of the form to complete.

E.1. Required Tests.

Indicate the number of whole effluent toxicity tests conducted in the past four and one-half years.

____chronic ____acute

E.2. Individual Test Data. Complete the following chart for each whole effluent toxicity test conducted in the last four and one-half years. Allow one column per test (where each species constitutes a test). Copy this page if more than three tests are being reported.

Test number: 9 Test number: 10 Test number: _____

a. Test information.

Test species & test method number	P. promelas 1000.0	C. dubia 1002.0	
Age at initiation of test	<24 hr old	<24 hr old	
Outfall number			
Dates sample collected	1/19-24/2004	1/19-24/2004	
Date test started	1/21/2004	1/21/2004	
Duration	7 days	7 days	

b. Give toxicity test methods followed.

Manual title	See below	See below	
Edition number and year of publication	4 th Ed. 2002	4 th Ed. 2002	
Page number(s)	75-76	164-165	

c. Give the sample collection method (s) used. For multiple grab samples, indicate the number of grab samples used.

24-Hour composite	X	X	
Grab	5 Grab Samples	5 Grab Samples	

d. Indicate where the sample was taken in relation to disinfection. (Check all that apply for each)

Before disinfection	X	X	
After disinfection			
After dechlorination			

Test number: 9 Test number: 10 Test number: _____

e. Describe the point in the treatment process at which the sample was collected.

Sample was collected:	Final Effluent	Final Effluent	
-----------------------	----------------	----------------	--

f. For each test, include whether the test was intended to assess chronic toxicity, acute toxicity, or both.

Chronic toxicity	X	X	
Acute toxicity			

g. Provide the type of test performed.

Static			
Static -renewal	X	X	
Flow-through			

h. Source of dilution water. If laboratory water, specify type; if receiving water, specify source.

Laboratory water	HSW	HSW	
Receiving water			

i. Type of dilution water. If salt water, specify "natural" or type of artificial sea salts or brine used.

Fresh water	X	X	
Salt water			

j. Give the percentage effluent used for all concentrations in the test series.

	100, 75, 50, 25	100, 75, 50, 25	
	12.5	12.5	

k. Parameters measured during the test. (State whether parameter meets test method specifications)

pH	Yes	Yes	
Salinity	NA	NA	
Temperature	Yes	Yes	
Ammonia	Yes	Yes	
Dissolved oxygen	Yes	Yes	

l. Test Results.

Acute:			
Percent survival in 100% effluent	%	%	%
LC ₅₀	%	%	
95% C.I.	%	%	%
Control percent survival	%	%	%
Other (describe)			

Chronic:

NOEC	100%	100%	
IC ₂₅	%	%	
Control percent survival	95%	100%	
Other (describe)			

m. Quality Control/Quality Assurance.

Is reference toxicant data available?	Yes	Yes	
Was reference toxicant test within acceptable bounds?	Yes	Yes	
What date was reference toxicant test run (MM/DD/YYYY)?	1/21/2004	1/21/2004	
Other (describe)			

E.3. Toxicity Reduction Evaluation. Is the treatment works involved in a Toxicity Reduction Evaluation?

Yes No If yes, describe: _____

E.4. Summary of Submitted Biomonitoring Test Information. If you have submitted biomonitoring test information, or information regarding the cause of toxicity, within the past four and one-half years, provide the dates the information was submitted to the permitting authority and a summary of the results.

Date submitted: 12/06/2005 (MM/DD/YYYY)

Summary of results: (see instructions)

The results indicate that the tests were valid and the effluent sample collected was not chronically toxic to P. promelas and C. dubia.

**END OF PART E.
REFER TO THE APPLICATION OVERVIEW TO DETERMINE WHICH OTHER PARTS OF FORM
2A YOU MUST COMPLETE.**

SUPPLEMENTAL APPLICATION INFORMATION

PART E. TOXICITY TESTING DATA

POTWs meeting one or more of the following criteria must provide the results of whole effluent toxicity tests for acute or chronic toxicity for each of the facility's discharge points: 1) POTWs with a design flow rate greater than or equal to 1.0 mgd; 2) POTWs with a pretreatment program (or those that are required to have one under 40 CFR Part 403); or 3) POTWs required by the permitting authority to submit data for these parameters.

- At a minimum, these results must include quarterly testing for a 12-month period within the past 1 year using multiple species (minimum of two species), or the results from four tests performed at least annually in the four and one-half years prior to the application, provided the results show no appreciable toxicity, and testing for acute and/or chronic toxicity, depending on the range of receiving water dilution. Do not include information on combined sewer overflows in this section. All information reported must be based on data collected through analysis conducted using 40 CFR Part 136 methods. In addition, this data must comply with QA/QC requirements of 40 CFR Part 136 and other appropriate QA/QC requirements for standard methods for analytes not addressed by 40 CFR Part 136.
- In addition, submit the results of any other whole effluent toxicity tests from the past four and one-half years. If a whole effluent toxicity test conducted during the past four and one-half years revealed toxicity, provide any information on the cause of the toxicity or any results of a toxicity reduction evaluation, if one was conducted.
- If you have already submitted any of the information requested in Part E, you need not submit it again. Rather, provide the information requested in question E.4 for previously submitted information. If EPA methods were not used, report the reasons for using alternate methods. If test summaries are available that contain all of the information requested below, they may be submitted in place of Part E.

If no biomonitoring data is required, do not complete Part E. Refer to the Application Overview for directions on which other sections of the form to complete.

E.1. Required Tests.

Indicate the number of whole effluent toxicity tests conducted in the past four and one-half years.

____chronic ____acute

E.2. Individual Test Data. Complete the following chart for each whole effluent toxicity test conducted in the last four and one-half years. Allow one column per test (where each species constitutes a test). Copy this page if more than three tests are being reported.

Test number: 11 Test number: 12 Test number: _____

a. Test information.

Test species & test method number	P. promelas 1000.0	C. dubia 1002.0	
Age at initiation of test	<24 hr old	<24 hr old	
Outfall number			
Dates sample collected	8/18-23/2003	8/18-23/2003	
Date test started	8/20/2003	8/20/2003	
Duration	7 days	7 days	

b. Give toxicity test methods followed.

Manual title	See below	See below	
Edition number and year of publication	4 th Ed. 2002	4 th Ed. 2002	
Page number(s)	75-76	164-165	

c. Give the sample collection method (s) used. For multiple grab samples, indicate the number of grab samples used.

24-Hour composite	X	X	
Grab	5 Grab Samples	5 Grab Samples	

d. Indicate where the sample was taken in relation to disinfection. (Check all that apply for each)

Before disinfection	X	X	
After disinfection			
After dechlorination			

FACILITY NAME AND PERMIT NUMBER:
Stickney Water Reclamation Plant
NPDES Permit No. IL0028053

Test number: 11 Test number: 12 Test number: _____

e. Describe the point in the treatment process at which the sample was collected.

Sample was collected:	Final Effluent	Final Effluent	
-----------------------	----------------	----------------	--

f. For each test, include whether the test was intended to assess chronic toxicity, acute toxicity, or both.

Chronic toxicity	X	X	
Acute toxicity			

g. Provide the type of test performed.

Static			
Static -renewal	X	X	
Flow-through			

h. Source of dilution water. If laboratory water, specify type; if receiving water, specify source.

Laboratory water	HSW	HSW	
Receiving water			

i. Type of dilution water. If salt water, specify "natural" or type of artificial sea salts or brine used.

Fresh water	X	X	
Salt water			

j. Give the percentage effluent used for all concentrations in the test series.

	100, 75, 50, 25	100, 75, 50, 25	
	12.5	12.5	

k. Parameters measured during the test. (State whether parameter meets test method specifications)

pH	Yes	Yes	
Salinity	NA	NA	
Temperature	Yes	Yes	
Ammonia	Yes	Yes	
Dissolved oxygen	Yes	Yes	

l. Test Results.

Acute:			
Percent survival in 100% effluent	%	%	%
LC ₅₀	%	%	
95% C.I.	%	%	%
Control percent survival	%	%	%
Other (describe)			

Chronic:

NOEC	100%	100%	
IC ₂₅	%	%	
Control percent survival	100%	80%	
Other (describe)			

m. Quality Control/Quality Assurance.

Is reference toxicant data available?	Yes	Yes	
Was reference toxicant test within acceptable bounds?	Yes	Yes	
What date was reference toxicant test run (MM/DD/YYYY)?	08/20/2003	08/20/2003	
Other (describe)			

E.3. Toxicity Reduction Evaluation. Is the treatment works involved in a Toxicity Reduction Evaluation?

Yes No If yes, describe: _____

E.4. Summary of Submitted Biomonitoring Test Information. If you have submitted biomonitoring test information, or information regarding the cause of toxicity, within the past four and one-half years, provide the dates the information was submitted to the permitting authority and a summary of the results.

Date submitted: 12/06/2005 (MM/DD/YYYY)

Summary of results: (see instructions)

The results indicate that the tests were valid and the effluent sample collected was not chronically toxic to P. promelas and C. dubia.

END OF PART E.

REFER TO THE APPLICATION OVERVIEW TO DETERMINE WHICH OTHER PARTS OF FORM 2A YOU MUST COMPLETE.

FACILITY NAME AND PERMIT NUMBER:
Stickney Water Reclamation Plant
NPDES Permit No. IL0028053

SUPPLEMENTAL APPLICATION INFORMATION

PART E. TOXICITY TESTING DATA

POTWs meeting one or more of the following criteria must provide the results of whole effluent toxicity tests for acute or chronic toxicity for each of the facility's discharge points: 1) POTWs with a design flow rate greater than or equal to 1.0 mgd; 2) POTWs with a pretreatment program (or those that are required to have one under 40 CFR Part 403); or 3) POTWs required by the permitting authority to submit data for these parameters.

- At a minimum, these results must include quarterly testing for a 12-month period within the past 1 year using multiple species (minimum of two species), or the results from four tests performed at least annually in the four and one-half years prior to the application, provided the results show no appreciable toxicity, and testing for acute and/or chronic toxicity, depending on the range of receiving water dilution. Do not include information on combined sewer overflows in this section. All information reported must be based on data collected through analysis conducted using 40 CFR Part 136 methods. In addition, this data must comply with QA/QC requirements of 40 CFR Part 136 and other appropriate QA/QC requirements for standard methods for analytes not addressed by 40 CFR Part 136.
- In addition, submit the results of any other whole effluent toxicity tests from the past four and one-half years. If a whole effluent toxicity test conducted during the past four and one-half years revealed toxicity, provide any information on the cause of the toxicity or any results of a toxicity reduction evaluation, if one was conducted.
- If you have already submitted any of the information requested in Part E, you need not submit it again. Rather, provide the information requested in question E.4 for previously submitted information. If EPA methods were not used, report the reasons for using alternate methods. If test summaries are available that contain all of the information requested below, they may be submitted in place of Part E.

If no biomonitoring data is required, do not complete Part E. Refer to the Application Overview for directions on which other sections of the form to complete.

E.1. Required Tests.

Indicate the number of whole effluent toxicity tests conducted in the past four and one-half years.

____chronic ____acute

E.2. Individual Test Data. Complete the following chart for each whole effluent toxicity test conducted in the last four and one-half years. Allow one column per test (where each species constitutes a test). Copy this page if more than three tests are being reported.

Test number: 13 Test number: 14 Test number: _____

a. Test information.

Test species & test method number	P. promelas 1000.0	C. dubia 1002.0	
Age at initiation of test	<24 hr old	<24 hr old	
Outfall number			
Dates sample collected	5/12-17/2003	5/12-17/2003	
Date test started	5/15/2003	5/14/2003	
Duration	7 days	7 days	

b. Give toxicity test methods followed.

Manual title	See below	See below	
Edition number and year of publication	4 th Ed. 2002	4 th Ed. 2002	
Page number(s)	75-76	164-165	

c. Give the sample collection method (s) used. For multiple grab samples, indicate the number of grab samples used.

24-Hour composite	X	X	
Grab	5 Grab Samples	5 Grab Samples	

d. Indicate where the sample was taken in relation to disinfection. (Check all that apply for each)

Before disinfection	X	X	
After disinfection			
After dechlorination			

Test number: 13 Test number: 14 Test number: _____

e. Describe the point in the treatment process at which the sample was collected.

Sample was collected:	Final Effluent	Final Effluent	
-----------------------	----------------	----------------	--

f. For each test, include whether the test was intended to assess chronic toxicity, acute toxicity, or both.

Chronic toxicity	X	X	
Acute toxicity			

g. Provide the type of test performed.

Static			
Static -renewal	X	X	
Flow-through			

h. Source of dilution water. If laboratory water, specify type; if receiving water, specify source.

Laboratory water	HSW	HSW	
Receiving water			

i. Type of dilution water. If salt water, specify "natural" or type of artificial sea salts or brine used.

Fresh water	X	X	
Salt water			

j. Give the percentage effluent used for all concentrations in the test series.

	100, 75, 50, 25	100, 75, 50, 25	
	12.5	12.5	

k. Parameters measured during the test. (State whether parameter meets test method specifications)

pH	Yes	Yes	
Salinity	NA	NA	
Temperature	Yes	Yes	
Ammonia	Yes	Yes	
Dissolved oxygen	Yes	Yes	

l. Test Results.

Acute:			
Percent survival in 100% effluent	%	%	%
LC ₅₀	%	%	
95% C.I.	%	%	%
Control percent survival	%	%	%
Other (describe)			

FACILITY NAME AND PERMIT NUMBER:
Stickney Water Reclamation Plant
NPDES Permit No. IL0028053

Chronic:

NOEC	100%	100%	
IC ₂₅	%	%	
Control percent survival	97.5%	90%	
Other (describe)			

m. Quality Control/Quality Assurance.

Is reference toxicant data available?	Yes	Yes	
Was reference toxicant test within acceptable bounds?	Yes	Yes	
What date was reference toxicant test run (MM/DD/YYYY)?	05/15/2003	05/14/2003	
Other (describe)			

E.3. Toxicity Reduction Evaluation. Is the treatment works involved in a Toxicity Reduction Evaluation?

Yes No If yes, describe: _____

E.4. Summary of Submitted Biomonitoring Test Information. If you have submitted biomonitoring test information, or information regarding the cause of toxicity, within the past four and one-half years, provide the dates the information was submitted to the permitting authority and a summary of the results.

Date submitted: 12/06/2005 (MM/DD/YYYY)

Summary of results: (see instructions)

The results indicate that the tests were valid and the effluent sample collected was not chronically toxic to P. promelas and C. dubia.

**END OF PART E.
REFER TO THE APPLICATION OVERVIEW TO DETERMINE WHICH OTHER PARTS OF FORM 2A YOU MUST COMPLETE.**

SUPPLEMENTAL APPLICATION INFORMATION

PART E. TOXICITY TESTING DATA

POTWs meeting one or more of the following criteria must provide the results of whole effluent toxicity tests for acute or chronic toxicity for each of the facility's discharge points: 1) POTWs with a design flow rate greater than or equal to 1.0 mgd; 2) POTWs with a pretreatment program (or those that are required to have one under 40 CFR Part 403); or 3) POTWs required by the permitting authority to submit data for these parameters.

- At a minimum, these results must include quarterly testing for a 12-month period within the past 1 year using multiple species (minimum of two species), or the results from four tests performed at least annually in the four and one-half years prior to the application, provided the results show no appreciable toxicity, and testing for acute and/or chronic toxicity, depending on the range of receiving water dilution. Do not include information on combined sewer overflows in this section. All information reported must be based on data collected through analysis conducted using 40 CFR Part 136 methods. In addition, this data must comply with QA/QC requirements of 40 CFR Part 136 and other appropriate QA/QC requirements for standard methods for analytes not addressed by 40 CFR Part 136.
- In addition, submit the results of any other whole effluent toxicity tests from the past four and one-half years. If a whole effluent toxicity test conducted during the past four and one-half years revealed toxicity, provide any information on the cause of the toxicity or any results of a toxicity reduction evaluation, if one was conducted.
- If you have already submitted any of the information requested in Part E, you need not submit it again. Rather, provide the information requested in question E.4 for previously submitted information. If EPA methods were not used, report the reasons for using alternate methods. If test summaries are available that contain all of the information requested below, they may be submitted in place of Part E.

If no biomonitoring data is required, do not complete Part E. Refer to the Application Overview for directions on which other sections of the form to complete.

E.1. Required Tests.

Indicate the number of whole effluent toxicity tests conducted in the past four and one-half years.

____ chronic ____ acute

E.2. Individual Test Data. Complete the following chart for each whole effluent toxicity test conducted in the last four and one-half years. Allow one column per test (where each species constitutes a test). Copy this page if more than three tests are being reported.

Test number: 15 Test number: 16 Test number: _____

a. Test information.

Test species & test method number	P. promelas 1000.0	C. dubia 1002.0	
Age at initiation of test	<24 hr old	<24 hr old	
Outfall number			
Dates sample collected	3/24-29/2003	3/24-29/2003	
Date test started	3/26/2003	3/26/2003	
Duration	7 days	7 days	

b. Give toxicity test methods followed.

Manual title	See below	See below	
Edition number and year of publication	4 th Ed. 2002	4 th Ed. 2002	
Page number(s)	75-76	164-165	

c. Give the sample collection method (s) used. For multiple grab samples, indicate the number of grab samples used.

24-Hour composite	X	X	
Grab	5 Grab Samples	5 Grab Samples	

d. Indicate where the sample was taken in relation to disinfection. (Check all that apply for each)

Before disinfection	X	X	
After disinfection			
After dechlorination			

Test number: 15 Test number: 16 Test number: _____

e. Describe the point in the treatment process at which the sample was collected.

Sample was collected:	Final Effluent	Final Effluent	
-----------------------	----------------	----------------	--

f. For each test, include whether the test was intended to assess chronic toxicity, acute toxicity, or both.

Chronic toxicity	X	X	
Acute toxicity			

g. Provide the type of test performed.

Static			
Static -renewal	X	X	
Flow-through			

h. Source of dilution water. If laboratory water, specify type; if receiving water, specify source.

Laboratory water	HSW	HSW	
Receiving water			

i. Type of dilution water. If salt water, specify "natural" or type of artificial sea salts or brine used.

Fresh water	X	X	
Salt water			

j. Give the percentage effluent used for all concentrations in the test series.

	100, 75, 50, 25	100, 75, 50, 25	
	12.5	12.5	

k. Parameters measured during the test. (State whether parameter meets test method specifications)

pH	Yes	Yes	
Salinity	NA	NA	
Temperature	Yes	Yes	
Ammonia	Yes	Yes	
Dissolved oxygen	Yes	Yes	

l. Test Results.

Acute:			
Percent survival in 100% effluent	%	%	%
LC ₅₀	%	%	
95% C.I.	%	%	%
Control percent survival	%	%	%
Other (describe)			

FACILITY NAME AND PERMIT NUMBER:
 Stickney Water Reclamation Plant
 NPDES Permit No. IL0028053

Chronic:

NOEC	100%	100%	
IC ₂₅	%	%	
Control percent survival	100%	100%	
Other (describe)			

m. Quality Control/Quality Assurance.

Is reference toxicant data available?	Yes	Yes	
Was reference toxicant test within acceptable bounds?	Yes	Yes	
What date was reference toxicant test run (MM/DD/YYYY)?	3/26/2003	3/26/2003	
Other (describe)			

E.3. Toxicity Reduction Evaluation. Is the treatment works involved in a Toxicity Reduction Evaluation?

___ Yes X No If yes, describe: _____

E.4. Summary of Submitted Biomonitoring Test Information. If you have submitted biomonitoring test information, or information regarding the cause of toxicity, within the past four and one-half years, provide the dates the information was submitted to the permitting authority and a summary of the results.

Date submitted: 12/06/2005 (MM/DD/YYYY)

Summary of results: (see instructions)

The results indicate that the tests were valid and the effluent sample collected was not chronically toxic to P. promelas and C. dubia.

**END OF PART E.
 REFER TO THE APPLICATION OVERVIEW TO DETERMINE WHICH OTHER PARTS OF FORM
 2A YOU MUST COMPLETE.**

FACILITY NAME AND PERMIT NUMBER:
Stickney Water Reclamation Plant
NPDES Permit No. IL0028053

SUPPLEMENTAL APPLICATION INFORMATION

PART E. TOXICITY TESTING DATA

POTWs meeting one or more of the following criteria must provide the results of whole effluent toxicity tests for acute or chronic toxicity for each of the facility's discharge points: 1) POTWs with a design flow rate greater than or equal to 1.0 mgd; 2) POTWs with a pretreatment program (or those that are required to have one under 40 CFR Part 403); or 3) POTWs required by the permitting authority to submit data for these parameters.

- At a minimum, these results must include quarterly testing for a 12-month period within the past 1 year using multiple species (minimum of two species), or the results from four tests performed at least annually in the four and one-half years prior to the application, provided the results show no appreciable toxicity, and testing for acute and/or chronic toxicity, depending on the range of receiving water dilution. Do not include information on combined sewer overflows in this section. All information reported must be based on data collected through analysis conducted using 40 CFR Part 136 methods. In addition, this data must comply with QA/QC requirements of 40 CFR Part 136 and other appropriate QA/QC requirements for standard methods for analytes not addressed by 40 CFR Part 136.
- In addition, submit the results of any other whole effluent toxicity tests from the past four and one-half years. If a whole effluent toxicity test conducted during the past four and one-half years revealed toxicity, provide any information on the cause of the toxicity or any results of a toxicity reduction evaluation, if one was conducted.
- If you have already submitted any of the information requested in Part E, you need not submit it again. Rather, provide the information requested in question E.4 for previously submitted information. If EPA methods were not used, report the reasons for using alternate methods. If test summaries are available that contain all of the information requested below, they may be submitted in place of Part E.

If no biomonitoring data is required, do not complete Part E. Refer to the Application Overview for directions on which other sections of the form to complete.

E.1. Required Tests.

Indicate the number of whole effluent toxicity tests conducted in the past four and one-half years.

___ chronic ___ acute

E.2. Individual Test Data. Complete the following chart for each whole effluent toxicity test conducted in the last four and one-half years. Allow one column per test (where each species constitutes a test). Copy this page if more than three tests are being reported.

Test number: 17 Test number: 18 Test number: _____

a. Test information.

Test species & test method number	P. promelas 1000.0	C. dubia 1002.0	
Age at initiation of test	<24 hr old	<24 hr old	
Outfall number			
Dates sample collected	2/24 to 3/1/2003	2/24 to 3/1/2003	
Date test started	2/26/2003	2/26/2003	
Duration	7 days	7 days	

b. Give toxicity test methods followed.

Manual title	See below	See below	
Edition number and year of publication	4 th Ed. 2002	4 th Ed. 2002	
Page number(s)	75-76	164-165	

c. Give the sample collection method (s) used. For multiple grab samples, indicate the number of grab samples used.

24-Hour composite	X	X	
Grab	5 Grab Samples	5 Grab Samples	

d. Indicate where the sample was taken in relation to disinfection. (Check all that apply for each)

Before disinfection	X	X	
After disinfection			
After dechlorination			

Test number: 17 Test number: 18 Test number: _____

e. Describe the point in the treatment process at which the sample was collected.

Sample was collected:	Final Effluent	Final Effluent	
-----------------------	----------------	----------------	--

f. For each test, include whether the test was intended to assess chronic toxicity, acute toxicity, or both.

Chronic toxicity	X	X	
Acute toxicity			

g. Provide the type of test performed.

Static			
Static -renewal	X	X	
Flow-through			

h. Source of dilution water. If laboratory water, specify type; if receiving water, specify source.

Laboratory water	HSW	HSW	
Receiving water			

i. Type of dilution water. If salt water, specify "natural" or type of artificial sea salts or brine used.

Fresh water	X	X	
Salt water			

j. Give the percentage effluent used for all concentrations in the test series.

	100, 75, 50, 25	100, 75, 50, 25	
	12.5	12.5	

k. Parameters measured during the test. (State whether parameter meets test method specifications)

pH	Yes	Yes	
Salinity	NA	NA	
Temperature	Yes	Yes	
Ammonia	Yes	Yes	
Dissolved oxygen	Yes	Yes	

l. Test Results.

Acute:			
Percent survival in 100% effluent	%	%	%
LC ₅₀	%	%	
95% C.I.	%	%	%
Control percent survival	%	%	%
Other (describe)			

FACILITY NAME AND PERMIT NUMBER:
Stickney Water Reclamation Plant
NPDES Permit No. IL0028053

Chronic:			
NOEC	100%	100%	
IC ₂₅	%	%	
Control percent survival	100%	90%	
Other (describe)			

m. Quality Control/Quality Assurance.			
Is reference toxicant data available?	Yes	Yes	
Was reference toxicant test within acceptable bounds?	Yes	Yes	
What date was reference toxicant test run (MM/DD/YYYY)?	2/26/2003	2/26/2003	
Other (describe)			

E.3. Toxicity Reduction Evaluation. Is the treatment works involved in a Toxicity Reduction Evaluation?

Yes No If yes, describe: _____

E.4. Summary of Submitted Biomonitoring Test Information. If you have submitted biomonitoring test information, or information regarding the cause of toxicity, within the past four and one-half years, provide the dates the information was submitted to the permitting authority and a summary of the results.

Date submitted: 12/06/2005 (MM/DD/YYYY)

Summary of results: (see instructions)

The results indicate that the tests were valid and the effluent sample collected was not chronically toxic to P. promelas and C. dubia.

**END OF PART E.
REFER TO THE APPLICATION OVERVIEW TO DETERMINE WHICH OTHER PARTS OF FORM 2A YOU MUST COMPLETE.**

SUPPLEMENTAL APPLICATION INFORMATION

PART E. TOXICITY TESTING DATA

POTWs meeting one or more of the following criteria must provide the results of whole effluent toxicity tests for acute or chronic toxicity for each of the facility's discharge points: 1) POTWs with a design flow rate greater than or equal to 1.0 mgd; 2) POTWs with a pretreatment program (or those that are required to have one under 40 CFR Part 403); or 3) POTWs required by the permitting authority to submit data for these parameters.

- At a minimum, these results must include quarterly testing for a 12-month period within the past 1 year using multiple species (minimum of two species), or the results from four tests performed at least annually in the four and one-half years prior to the application, provided the results show no appreciable toxicity, and testing for acute and/or chronic toxicity, depending on the range of receiving water dilution. Do not include information on combined sewer overflows in this section. All information reported must be based on data collected through analysis conducted using 40 CFR Part 136 methods. In addition, this data must comply with QA/QC requirements of 40 CFR Part 136 and other appropriate QA/QC requirements for standard methods for analytes not addressed by 40 CFR Part 136.
- In addition, submit the results of any other whole effluent toxicity tests from the past four and one-half years. If a whole effluent toxicity test conducted during the past four and one-half years revealed toxicity, provide any information on the cause of the toxicity or any results of a toxicity reduction evaluation, if one was conducted.
- If you have already submitted any of the information requested in Part E, you need not submit it again. Rather, provide the information requested in question E.4 for previously submitted information. If EPA methods were not used, report the reasons for using alternate methods. If test summaries are available that contain all of the information requested below, they may be submitted in place of Part E.

If no biomonitoring data is required, do not complete Part E. Refer to the Application Overview for directions on which other sections of the form to complete.

E.1. Required Tests.

Indicate the number of whole effluent toxicity tests conducted in the past four and one-half years.

____chronic ____acute

E.2. Individual Test Data. Complete the following chart for each whole effluent toxicity test conducted in the last four and one-half years. Allow one column per test (where each species constitutes a test). Copy this page if more than three tests are being reported.

Test number: 19 Test number: 20 Test number: _____

a. Test information.

Test species & test method number	P. promelas 1000.0	C. dubia 1002.0	
Age at initiation of test	<24 hr old	<24 hr old	
Outfall number			
Dates sample collected	12/2-7/2002	12/2-7/2002	
Date test started	12/04/2002	12/04/2002	
Duration	7 days	7 days	

b. Give toxicity test methods followed.

Manual title	See below	See below	
Edition number and year of publication	4 th Ed. 2002	4 th Ed. 2002	
Page number(s)	75-76	164-165	

c. Give the sample collection method (s) used. For multiple grab samples, indicate the number of grab samples used.

24-Hour composite	X	X	
Grab	5 Grab Samples	5 Grab Samples	

d. Indicate where the sample was taken in relation to disinfection. (Check all that apply for each)

Before disinfection	X	X	
After disinfection			
After dechlorination			

Test number: 19

Test number: 20

Test number: _____

e. Describe the point in the treatment process at which the sample was collected.

Sample was collected:	Final Effluent	Final Effluent	
-----------------------	----------------	----------------	--

f. For each test, include whether the test was intended to assess chronic toxicity, acute toxicity, or both.

Chronic toxicity	X	X	
Acute toxicity			

g. Provide the type of test performed.

Static			
Static -renewal	X	X	
Flow-through			

h. Source of dilution water. If laboratory water, specify type; if receiving water, specify source.

Laboratory water	HSW	HSW	
Receiving water			

i. Type of dilution water. If salt water, specify "natural" or type of artificial sea salts or brine used.

Fresh water	X	X	
Salt water			

j. Give the percentage effluent used for all concentrations in the test series.

	100, 75, 50, 25	100, 75, 50, 25	
	12.5	12.5	

k. Parameters measured during the test. (State whether parameter meets test method specifications)

pH	Yes	Yes	
Salinity	NA	NA	
Temperature	Yes	Yes	
Ammonia	Yes	Yes	
Dissolved oxygen	Yes	Yes	

l. Test Results.

Acute:			
Percent survival in 100% effluent	%	%	%
LC ₅₀	%	%	
95% C.I.	%	%	%
Control percent survival	%	%	%
Other (describe)			

Chronic:

NOEC	100%	100%	
IC ₂₅	%	%	
Control percent survival	97.5%	90%	
Other (describe)			
m. Quality Control/Quality Assurance.			
Is reference toxicant data available?	Yes	Yes	
Was reference toxicant test within acceptable bounds?	Yes	Yes	
What date was reference toxicant test run (MM/DD/YYYY)?	12/04/2002	12/04/2002	
Other (describe)			

E.3. Toxicity Reduction Evaluation. Is the treatment works involved in a Toxicity Reduction Evaluation?

Yes No

If yes, describe: _____

E.4. Summary of Submitted Biomonitoring Test Information. If you have submitted biomonitoring test information, or information regarding the cause of toxicity, within the past four and one-half years, provide the dates the information was submitted to the permitting authority and a summary of the results.

Date submitted: 12/06/2005 (MM/DD/YYYY)

Summary of results: (see instructions)

The results indicate that the tests were valid and the effluent sample collected was not chronically toxic to P. promelas and C. dubia.

END OF PART E.

REFER TO THE APPLICATION OVERVIEW TO DETERMINE WHICH OTHER PARTS OF FORM 2A YOU MUST COMPLETE.

SUPPLEMENTAL APPLICATION INFORMATION

PART E. TOXICITY TESTING DATA

POTWs meeting one or more of the following criteria must provide the results of whole effluent toxicity tests for acute or chronic toxicity for each of the facility's discharge points: 1) POTWs with a design flow rate greater than or equal to 1.0 mgd, 2) POTWs with a pretreatment program (or those that are required to have one under 40 CFR Part 403), or 3) POTWs required by the permitting authority to submit data for these parameters.

- At a minimum, these results must include quarterly testing for a 12-month period within the past 1 year using multiple species (minimum of two species), or the results from four tests performed at least annually in the four and one-half years prior to the application, provided the results show no appreciable toxicity, and testing for acute and/or chronic toxicity, depending on the range of receiving water dilution. Do not include information on combined sewer overflows in this section. All information reported must be based on data collected through analysis conducted using 40 CFR Part 136 methods. In addition, this data must comply with QA/QC requirements of 40 CFR Part 136 and other appropriate QA/QC requirements for standard methods for analytes not addressed by 40 CFR Part 136.
- In addition, submit the results of any other whole effluent toxicity tests from the past four and one-half years. If a whole effluent toxicity test conducted during the past four and one-half years revealed toxicity, provide any information on the cause of the toxicity or any results of a toxicity reduction evaluation, if one was conducted.
- If you have already submitted any of the information requested in Part E, you need not submit it again. Rather, provide the information requested in question E.4 for previously submitted information. If EPA methods were not used, report the reasons for using alternate methods. If test summaries are available that contain all of the information requested below, they may be submitted in place of Part E.

If no biomonitoring data is required, do not complete Part E. Refer to the Application Overview for directions on which other sections of the form to complete.

E.1. Required Tests.

Indicate the number of whole effluent toxicity tests conducted in the past four and one-half years.

____ chronic ____ acute

E.2. Individual Test Data. Complete the following chart for each whole effluent toxicity test conducted in the last four and one-half years. Allow one column per test (where each species constitutes a test). Copy this page if more than three tests are being reported.

Test number: 21 Test number: 22 Test number: _____

a. Test information.

Test species & test method number	P. promelas 1000.0	C. dubia 1002.0	
Age at initiation of test	<24 hr old	<24 hr old	
Outfall number			
Dates sample collected	10/7-12/2002	10/7-12/2002	
Date test started	10/09/2002	10/09/2002	
Duration	7 days	7 days	

b. Give toxicity test methods followed.

Manual title	See below	See below	
Edition number and year of publication	4 th Ed. 2002	4 th Ed. 2002	
Page number(s)	75-76	164-165	

c. Give the sample collection method (s) used. For multiple grab samples, indicate the number of grab samples used.

24-Hour composite	X	X	
Grab	5 Grab Samples	5 Grab Samples	

d. Indicate where the sample was taken in relation to disinfection. (Check all that apply for each)

Before disinfection	X	X	
After disinfection			
After dechlorination			

Test number: 21 Test number: 22 Test number: _____

e. Describe the point in the treatment process at which the sample was collected.

Sample was collected:	Final Effluent	Final Effluent	
-----------------------	----------------	----------------	--

f. For each test, include whether the test was intended to assess chronic toxicity, acute toxicity, or both.

Chronic toxicity	X	X	
Acute toxicity			

g. Provide the type of test performed.

Static			
Static -renewal	X	X	
Flow-through			

h. Source of dilution water. If laboratory water, specify type; if receiving water, specify source.

Laboratory water	HSW	HSW	
Receiving water			

i. Type of dilution water. If salt water, specify "natural" or type of artificial sea salts or brine used.

Fresh water	X	X	
Salt water			

j. Give the percentage effluent used for all concentrations in the test series.

	100, 75, 50,	100, 75, 50,	
	25, 12.5	25, 12.5	

k. Parameters measured during the test. (State whether parameter meets test method specifications)

pH	Yes	Yes	
Salinity	NA	NA	
Temperature	Yes	Yes	
Ammonia	Yes	Yes	
Dissolved oxygen	Yes	Yes	

l. Test Results.

Acute:			
Percent survival in 100% effluent	%	%	%
LC ₅₀	%	%	
95% C.I.	%	%	%
Control percent survival	%	%	%
Other (describe)			

Chronic:

NOEC	100%	100%	
IC ₂₅	%	%	
Control percent survival	100%	90%	
Other (describe)			

m. Quality Control/Quality Assurance.

Is reference toxicant data available?	Yes	Yes	
Was reference toxicant test within acceptable bounds?	Yes	Yes	
What date was reference toxicant test run (MM/DD/YYYY)?	10/09/2002	10/09/2002	
Other (describe)			

E.3. Toxicity Reduction Evaluation. Is the treatment works involved in a Toxicity Reduction Evaluation?

Yes No

If yes, describe: _____

E.4. Summary of Submitted Biomonitoring Test Information. If you have submitted biomonitoring test information, or information regarding the cause of toxicity, within the past four and one-half years, provide the dates the information was submitted to the permitting authority and a summary of the results.

Date submitted: 12/06/2005 (MM/DD/YYYY)

Summary of results: (see instructions)

The results indicate that the tests were valid and the effluent sample collected was not chronically toxic to P. promelas and C. dubia.

END OF PART E.

REFER TO THE APPLICATION OVERVIEW TO DETERMINE WHICH OTHER PARTS OF FORM 2A YOU MUST COMPLETE.

FACILITY NAME AND PERMIT NUMBER: IL0028053

Form Approved 1/14/99
OMB Number 2040-0086

MWRDGC Stickney Water Reclamation Plant

SUPPLEMENTAL APPLICATION INFORMATION

PART F. INDUSTRIAL USER DISCHARGES AND RCRA/CERCLA WASTES

All treatment works receiving discharges from significant industrial users or which receive RCRA, CERCLA, or other remedial wastes must complete Part F.

GENERAL INFORMATION:

F.1. Pretreatment Program. Does the treatment works have, or is it subject to, an approved pretreatment program?

Yes No

F.2. Number of Significant Industrial Users (SIUs) and Categorical Industrial Users (CIUs). Provide the number of each of the following types of industrial users that discharge to the treatment works.

a. Number of non-categorical SIUs. 86

b. Number of CIUs. 161

SIGNIFICANT INDUSTRIAL USER INFORMATION:

Supply the following information for each SIU. If more than one SIU discharges to the treatment works, copy questions F.3 through F.8 and provide the information requested for each SIU.

F.3. Significant Industrial User Information. Provide the name and address of each SIU discharging to the treatment works. Submit additional pages as necessary.

Name: See attached

Mailing Address: _____

F.4. Industrial Processes. Describe all of the industrial processes that affect or contribute to the SIU's discharge.

See attached

F.5. Principal Product(s) and Raw Material(s). Describe all of the principal processes and raw materials that affect or contribute to the SIU's discharge.

Principal product(s): See attached

Raw material(s): See attached

F.6. Flow Rate. See attached

a. Process wastewater flow rate. Indicate the average daily volume of process wastewater discharged into the collection system in gallons per day (gpd) and whether the discharge is continuous or intermittent.

_____ gpd (continuous or intermittent)

b. Non-process wastewater flow rate. Indicate the average daily volume of non-process wastewater flow discharged into the collection system in gallons per day (gpd) and whether the discharge is continuous or intermittent.

_____ gpd (continuous or intermittent)

F.7. Pretreatment Standards. Indicate whether the SIU is subject to the following: See attached

a. Local limits Yes No

b. Categorical pretreatment standards Yes No

If subject to categorical pretreatment standards, which category and subcategory?

FACILITY NAME AND PERMIT NUMBER: IL0028053

Form Approved 1/14/99
OMB Number 2040-0086

MWRDGC Stickney Water Reclamation Plant

F.8. Problems at the Treatment Works Attributed to Waste Discharged by the SIU. Has the SIU caused or contributed to any problems (e.g., upsets, interference) at the treatment works in the past three years?

Yes No If yes, describe each episode.

RCRA HAZARDOUS WASTE RECEIVED BY TRUCK, RAIL, OR DEDICATED PIPELINE:

F.9. RCRA Waste. Does the treatment works receive or has it in the past three years received RCRA hazardous waste by truck, rail, or dedicated pipe?
 Yes No (go to F.12.)

F.10. Waste Transport. Method by which RCRA waste is received (check all that apply):

Truck Rail Dedicated Pipe

F.11. Waste Description. Give EPA hazardous waste number and amount (volume or mass, specify units).

EPA Hazardous Waste Number Amount Units

CERCLA (SUPERFUND) WASTEWATER, RCRA REMEDIATION/CORRECTIVE ACTION WASTEWATER, AND OTHER REMEDIAL ACTIVITY WASTEWATER:

F.12. Remediation Waste. Does the treatment works currently (or has it been notified that it will) receive waste from remedial activities?

Yes (complete F.13 through F.15.) No

Provide a list of sites and the requested information (F.13 - F.15.) for each current and future site.

See attached

F.13. Waste Origin. Describe the site and type of facility at which the CERCLA/RCRA/or other remedial waste originates (or is expected to originate in the next five years).

See attached

F.14. Pollutants. List the hazardous constituents that are received (or are expected to be received). Include data on volume and concentration, if known. (Attach additional sheets if necessary).

See attached

F.15. Waste Treatment.

a. Is this waste treated (or will it be treated) prior to entering the treatment works?

Yes No

If yes, describe the treatment (provide information about the removal efficiency):

See attached

b. Is the discharge (or will the discharge be) continuous or intermittent? See attached

Continuous Intermittent If intermittent, describe discharge schedule.

**END OF PART F.
REFER TO THE APPLICATION OVERVIEW TO DETERMINE WHICH OTHER PARTS OF FORM
2A YOU MUST COMPLETE**

Trmt Area	Facility Id	Facility Name	Address Line_1	City	State	Zip
1 S	25978	A PERFECTA METAL FINISHING COMPANY INC	2066 N 15TH AVE	MELROSE PARK	IL	60160
2 S	10002	AALLIED DIE CASTING CO	3021 CULLERTON DR	FRANKLIN PARK	IL	60131
3 S	24781	ABLE ELECTROPOLISHING CO	2001 S KILBOURN AVE	CHICAGO	IL	60623
4 S	25290	ABOVE & BEYOND BLACK OXIDE INC	1027-29 N 27TH AVE	MELROSE PARK	IL	60160
5 S	13583	ACCENT METAL FINISHING CO	9331 W BYRON	SCHILLER PARK	IL	60176
6 S	11340	ACCURATE ANODIZING	3130 S AUSTIN	CICERO	IL	60650
7 S	11166	ACE ANODIZING & IMPREGNATING INC	4161 BUTTERFIELD RD	HILLSIDE	IL	60162
8 S	25666	AKZO NOBEL SURFACE CHEMISTRY LLC	5849 S BISHOP	CHICAGO	IL	60636
10 S	12748	ALANSON MFG CO	8201 W 47TH ST	MCCOOK	IL	605251569
11 S	11184	ALBERTO CULVER	4408 W CERMAK RD	CHICAGO	IL	60623
12 S	26150	ALL-BRITE ANODIZING COMPANY	2525 ARMITAGE	MELROSE PARK	IL	60160
13 S	25867	ALSCO-AMERICAN LINEN DIVISION	100 W LAKE STREET	NORTH LAKE	IL	60164
14 S	25497	AMERICAN BOTTLING	2841 S LEAVITT ST	CHICAGO	IL	60608
15 S	26135	AMERICAN MIDWEST CHROME PLATING & POLISH	400 N WOLF RD	NORTH LAKE	IL	60164
16 S	13351	AMERICAN NAMEPLATE CO	2300 W 59TH ST	CHICAGO	IL	60636
17 S	13207	AMERICAN NICKEL WORKS, INC	4501 S KILDARE AVE	CHICAGO	IL	60632
18 S	25443	AMERICAN PHARMACEUTICAL	1223 W LAKE ST	CHICAGO	IL	60607
19 S	25577	AMERICAN PLATING & MANUFACTURING	2020 RUBY ST	MELROSE PARK	IL	60160
20 S	24468	AMERICAN STANDARD CIRCUITS INC	3941 S KEELER AVE	CHICAGO	IL	60616
21 S	25846	AMERICAN/JEBCO CORPORATION	3615 WOLF RD	FRANKLIN PARK	IL	60131
22 S	13090	ANCHOR METAL FINISHING COMPANY	11330 W MELROSE ST	FRANKLIN PARK	IL	60131
23 S	14454	ANGELICA TEXTILE SVCS	9355 BERNICE AVE	SCHILLER PARK	IL	60176
24 S	25805	ANTHONY MARANO COMPANY	920 S CAMPBELL AVE	CHICAGO	IL	60612
25 S	25954	ARAMARK Uniform and Career Apparel, Inc.	3000 S ASHLAND AVE	CHICAGO	IL	60608
26 S	14734	ASPEN FOODS DIVISION OF KOCH FOODS, INC	4200 S HALSTED ST	CHICAGO	IL	60609
27 S	12961	AVIS COMMERCIAL ANODIZING	1115 WEST FULTON MARKET	CHICAGO	IL	60607
28 S	12302	AZTECA FOODS INC	522 N WESTERN AVE	CHICAGO	IL	60612
29 S	12831	B & T POLISHING INC	5005 S NAGLE AVE	CHICAGO	IL	60638
30 S	12823	BARNES PLATING CORP	2433 W FULTON	CHICAGO	IL	60612
31 S	15872	BEAVER OIL CO INC	1217 W MONROE ST	CHICAGO	IL	60607
32 S	13254	BELLWOOD INDUSTRIAL INC	6037 LENZI AVE	HODGKINS	IL	60525
33 S	11138	BELMONT PLATING WORKS, INC	4351 W ROOSEVELT RD	CHICAGO	IL	60624
34 S	26039	BERKSHIRE db/a CHICAGO EXTRUDED METALS	3410 N RIVER RD	FRANKLIN PARK	IL	60131
35 S	25557	Bio Star Films, L.L.C.	1601 S 54TH AVE	CICERO	IL	608041898
36 S	11892	BOBCO ENTERPRISES INC	4848 S HOYNE AV	CHICAGO	IL	60609
37 S	10311	BORG WARNER AUTOMOTIVE	737 N ALBANY AVE	CHICAGO	IL	60612
38 S	11260	Bretford Manufacturing, Inc.	700 S 25TH AVE	BELLWOOD	IL	60104
39 S	11898	Bretford Manufacturing, Inc.	3951 N. 25th Ave.	Schiller Park	IL	60176
40 S	10314	BREUER ELECTRIC MFG CO	11000 Seymour Ave.	Franklin Park	IL	60131
41 S	13586	BRIDGFORD FOODS	7401 W LAWRENCE AVE	HARWOOD HEIGHTS	IL	60656
42 S	11807	CALCO PLATING, INC.	170 N GREEN ST	CHICAGO	IL	60607
43 S	11196	CAPITOL WHOLESALE MEATS	414 N WOOD ST	CHICAGO	IL	60622
44 S	11576	CASTLE METAL FINISHING CORP	911 WEST 37TH PL	CHICAGO	IL	60609
45 S	10001	CBSL Transportation Services, Inc.	4631 N 25TH ST	SCHILLER PARK	IL	60176
46 S	24016	CHEF SOLUTIONS, INC	4750 S. Merrimac Ave.	Chicago	IL	60638
47 S	26254	Chicago American Manufacturing, LLC	111 N NORTHWEST AVE	NORTH LAKE	IL	60164
48 S	11084	CHICAGO ANODIZING CO	4500 W. 47th St.	Chicago	IL	60632
49 S	13268	CHICAGO CASTINGS COMPANY, LLC	4112 W LAKE ST	CHICAGO	IL	60624
50 S	10347	CHICAGO HARDWARE & FIXTURE	1400 S LARAMIE AVE	CICERO	IL	60804
51 S	24522	CHICAGO HOSPITALITY DIV. OF TYSON FOODS	3431 N WOLF RD	FRANKLIN PARK	IL	60131
52 S	25861	CHICAGO POWDERED METAL PRODUCTS COMPANY	4201 S ASHLAND AV	CHICAGO	IL	606092305
53 S	11256	CHICAGO-ALLIS MANUFACTURING COMPANY	9700 WAVELAND AVE	SCHILLER PARK	IL	60176
54 S	13354	CHILO MANUFACTURING & PLATING CO, INC	113-25 N GREEN ST	CHICAGO	IL	60607
55 S	25818	CIBA VISION CORPORATION	2106 S KEDZIE AVE	CHICAGO	IL	60623
56 S	15985	CINTAS CORPORATION	333 E HOWARD AVE	DES PLAINES	IL	60018
57 S	26070	Cintas Corporation	6001 W 73RD ST	BEDFORD PARK	IL	60638
58 S	13787	CITY OF CHICAGO-JARDINE WATER FILT PLNT	1201 W. St. Charles Rd.	Maywood	IL	60153
			1000 E OHIO ST	CHICAGO	IL	60611

Trmt Area	Facility Id	Facility Name	Address Line 1	City	State	Zip
59 S	13958	CITY OF CHICAGO-SO WTR PURIFICATION PLT	3300 E CHELTENHAM PL	CHICAGO	IL	60649
60 S	10279	CLAD-REX, INC.	11500 W. KING STREET	FRANKLIN PARK	IL	601311310
61 S	12340	CODY METAL FINISHING INC	1620 N THROOP ST	CHICAGO	IL	606221515
62 S	25417	CORN PRODUCTS INTERNATIONAL, INC. ARGO	6400 S. ARCHER AVENUE	BEDFORD PARK	IL	605011945
63 S	17261	DANA CONTAINER INC	7703 W 59TH ST	SUMMIT	IL	60501
64 S	13477	DELAVAL MANUFACTURING	1855 S MT PROSPECT	DES PLAINES	IL	60018
65 S	13681	DEM-FRANCO CORPORATION	3810 S HALSTED ST	CHICAGO	IL	60609
66 S	15912	DENORMANDIE TOWEL & LINEN, INC.	7780 S DANTE	CHICAGO	IL	60619
67 S	14655	DOMINICK'S FINER FOODS, INC	555 N NORTHWEST AVE	NORTHLAKE	IL	60164
68 S	14650	DOWNNEY COMPANY, B L, INC.	2125 GARDNER RD	BROADVIEW	IL	60153
69 S	12058	DYNA-BURR CHICAGO, INC.	65 E LAKE ST	NORTHLAKE	IL	60164
70 S	26233	Ebro Foods	1330 W 43rd St.	Chicago	IL	60609
71 S	11406	EDSAL MANUFACTURING COMPANY, INC	4400 S PACKERS AVENUE	CHICAGO	IL	60609
72 S	24378	EDSAL MANUFACTURING COMPANY, INC	4345 S PACKERS AVENUE	CHICAGO	IL	60609
73 S	14249	EL MILAGRO, INC	2919 S WESTERN AVE	CHICAGO	IL	60608
74 S	26088	El Milagro, Inc. - Plant No. 4	2400 W 21ST PL	CHICAGO	IL	60608
75 S	10126	Electric Coating Technologies, LLC	8687 S 77TH AVE	BRIDGEVIEW	IL	60455
76 S	13393	Electro-Motive Diesel, Inc.	9301 West 55th Street	McCook	IL	60525
77 S	12222	ELECTRONIC PLATING COMPANY	1821 S 54TH AVE	CICERO	IL	60804
78 S	15609	ELGIN DAIRY FOODS, INC	3659 W. HARRISON STREET	CHICAGO	IL	60624
79 S	10425	ELKAY MANUFACTURING COMPANY	2700 SOUTH 17TH AVENUE	BROADVIEW	IL	60153
80 S	11977	EMPIRE HARD CHROME	1615 S KOSTNER AVE	CHICAGO	IL	60623
81 S	25146	EMPIRE HARD CHROME PLANT 2	1537 S. WOOD STREET	CHICAGO	IL	60623
82 S	15546	EN-CHRO PLATING, LTD	2755 W LAKE ST	MELROSE PARK	IL	60160
83 S	10204	ESTER SOLUTIONS COMPANY	5851 W 73RD ST	BEDFORD PARK	IL	60638
84 S	11126	EVANS FOOD PRODUCTS	4118 S HALSTED ST	CHICAGO	IL	60609
85 S	25365	EX-CELL METAL PRODUCTS	11240 MELROSE ST	FRANKLIN PARK	IL	60131
86 S	26117	EXPERT METAL FINISHING, INC.	1900 N AUSTIN AVE	CHICAGO	IL	60639
87 S	25813	FARLEY'S & SATHERS CANDY COMPANY	1665 E BIRCHWOOD AVE	DES PLAINES	IL	60018
88 S	12240	FERRARA PAN CANDY CO	7301 W HARRISON	FOREST PARK	IL	60130
89 S	25815	Fitrona Extrusion, Inc.	1600 Birchwood Ave.	Des Plaines	IL	60018
90 S	24826	FINISHING COMPANY, INC	1925 N 25TH AVE	FRANKLIN PARK	IL	60131
91 S	11855	Finishing Company, Inc. (The)	2340 N 17TH AVE	FRANKLIN PARK	IL	60131
92 S	25938	FIVE STAR LAUNDRY, INC	1060 W DIVISION	CHICAGO	IL	60622
93 S	25554	FOCAL POINT LLC	4201 S PULASKI RD	CHICAGO	IL	60632
94 S	14279	FOODLINER, INC	9200 KING STREET	FRANKLIN PARK	IL	60131
95 S	11905	FOREST PLATING CO	930 DESPLAINES AVE	FOREST PARK	IL	60130
96 S	10439	FRAMBURG & COMPANY	941 CERNAN DR	BELLWOOD	IL	60104
97 S	24639	FRESH EXPRESS-ADDISON	11010 W ADDISON ST	FRANKLIN PARK	IL	601311402
98 S	25760	FRESH EXPRESS-EDGINGTON	2425 EDGINGTON AVE	FRANKLIN PARK	IL	60131
99 S	24111	FRESH EXPRESS-NEVADA	9501 NEVADA AVE	FRANKLIN PARK	IL	60131 333
100 S	26315	Fuel Systems, Inc.	5852 W. 51st St.	Chicago	IL	60638
101 S	21831	G & K SERVICES	8201 S CORK	JUSTICE	IL	60458
102 S	25694	GATE GOURMET NARROW BODY KITCHEN #240	O'Hare International Airport	CHICAGO	IL	60666
103 S	25695	GATE GOURMET UNIT 239	4347 UNITED PARKWAY	SCHILLER PARK	IL	60187
104 S	12179	GATTO INDUSTRIAL PLATERS, INC.	4620 W ROOSEVELT RD	CHICAGO	IL	606441430
105 S	12197	GEO-RAE CORPORATION	4500 S TRIPP AV	CHICAGO	IL	60632
106 S	25657	GRACE DAVISON	4099 W 71ST ST	CHICAGO	IL	60629
107 S	23696	GREENLEE DIAMOND TOOL CO	1222 HARDING AVE	DES PLAINES	IL	60016
108 S	11724	Griffin Plating Co., Inc.	1636 West Armitage Avenue	Chicago	IL	60622
109 S	13021	Griffith Laboratories U.S.A., Inc.	1437 W. 37th St.	Chicago	IL	606092194
110 S	11837	GUTMANN LEATHER LLC	1511 W WEBSTER AVE	CHICAGO	IL	60614
111 S	10471	HANDY KENLIN GROUP	1750 N 25TH AVE	MELROSE PARK	IL	60160
112 S	25136	HINCKLEY SPRINGS	6055 S HARLEM AVE	CHICAGO	IL	60638
113 S	25137	HINCKLEY SPRINGS	6155 S HARLEM AVE	CHICAGO	IL	60638
114 S	25612	HI-TEMP HEAT TREATING, INC.	75 E. LAKE STREET	NORTHLAKE	IL	60164
115 S	25341	Hop Kee Inc d/b/a Oriental Delicacies Inc. Hong Kong Market	2425 S WALLACE ST	CHICAGO	IL	60616
116 S	10487	HORWEEN LEATHER CO	2015 N ELSTON AVE	CHICAGO	IL	60614

Trmt Area	Facility Id	Facility Name	Address Line_1	City	State_s	Zip
117 S	10050	ICI UNIQEMA INC	4650 S RACINE AVE	CHICAGO	IL	60609
118 S	13717	Imperial Plating Company, Inc.	7030 W 60TH ST	CHICAGO	IL	60638
119 S	26285	IMS Engineered Products LLC	3801 N. Rose St.	Schiller Park	IL	60176
120 S	12976	INPLEX LLC	1663 S MOUNT PROSPECT RD	DES PLAINES	IL	60018
121 S	10509	INTERNATIONAL TRUCK AND ENGINE CORP.	10400 WEST NORTH AVE	MELROSE PARK	IL	60160
122 S	25090	INTERSTATE BRANDS CORPORATION	9555 W SORENG AVE	SCHILLER PARK	IL	60176
123 S	12424	J L O Metal Products, Inc.	5841 W DICKENS AVE	CHICAGO	IL	60639
124 S	26286	Jernberg Industries, Inc.	328 W. 40th Place	Chicago	IL	60609
125 S	10518	JEWEL FOOD STORES	1955 W NORTH AVE	MELROSE PARK	IL	60160
126 S	13724	JONAS ENTERPRISES INC	21 N KILPATRICK AVE	CHICAGO	IL	60644
127 S	13590	KAC HOLDINGS, INC.	515 E TOUHY AVE	DES PLAINES	IL	600182675
128 S	25810	Keebler Company	2945 W 31ST ST	CHICAGO	IL	60623
129 S	11133	Kerry Sweet Ingredients	4300 S MORGAN ST	CHICAGO	IL	60609
130 S	24910	KLOBAR COMPACTING CORP	1700 N THROOP ST	CHICAGO	IL	60622
131 S	25773	KINDER MORGAN LIQUIDS TERMINALS, LLC-ARGO	8500 W 68TH STREET	ARGO	IL	60501
132 S	10157	KOPPERS INCORPORATED	3900 S LARAMIE AVE	STICKNEY	IL	60804
133 S	25811	Kraft Foods Global, Inc.-Nabisco Biscuit Division	7300 S KEDZIE AVE	CHICAGO	IL	60629
134 S	10536	KRAMER, H & CO	1343 W 21ST ST	CHICAGO	IL	60608
135 S	11882	KREL LABORATORIES INC	388 N AVERS AVE	CHICAGO	IL	60624
136 S	11883	KREL LABORATORIES INC	383 N AVERS AVE	CHICAGO	IL	60624
137 S	13793	KRONOS PRODUCTS, INC	4501 W DISTRICT BLVD	CHICAGO	IL	60632
138 S	10885	LAKEWOOD ENGINEERING & MFG	501 N SACRAMENTO BLVD	CHICAGO	IL	60612
139 S	26262	Lemon Scents	1719 West Augusta Blvd.	Chicago	IL	60622
140 S	13489	Lifoam Industries, LLC	1830 N KOSTNER	CHICAGO	IL	60639
141 S	11713	LOGAN ELECTRIC SPECIALTY MFG CO	1431 W HUBBARD ST	CHICAGO	IL	60622
142 S	10522	MacLean Power Joslyn	3700 S MORGAN ST	CHICAGO	IL	60609
143 S	10103	MASTERFOODS USA, A DIVISION OF MARS INC	2019 N OAK PARK AV	CHICAGO	IL	607073360
144 S	25768	MECALUX ILLINOIS INC	1600 NORTH 25TH AVENUE	MELROSE PARK	IL	60160
145 S	11064	Mech-Tronics	1635 N 25TH AVE	MELROSE PARK	IL	60160
146 S	25836	Mech-Tronics Corporation	1707 N 25TH AVE	MELROSE PARK	IL	60160
147 S	24882	METAL BOX INTERNATIONAL, INC.	11600 W KING ST	FRANKLIN PARK	IL	60131
148 S	24771	METAL-MATIC INC	7200 S NARRAGANSETT AV	BEDFORD PARK	IL	60638
149 S	12951	MIDWEST METAL FINISHING	2215 S CHRISTIANA	CHICAGO	IL	60623
150 S	13289	MIKE'S ANODIZING	859 N SPAULDING	CHICAGO	IL	60651
151 S	25498	MONTANA METAL PRODUCTS	25 E HOWARD ST	DES PLAINES	IL	60018
152 S	25991	MORGAN SERVICES, INC	4301 S MORGAN ST	CHICAGO	IL	60609
153 S	14095	MULLINS FOOD PRODS/PACKAGING SER	2200 S 25TH AVE	BROADVIEW	IL	60153
154 S	10593	NALCO COMPANY	6216 W 66TH PL	BEDFORD PARK	IL	60638
155 S	15958	NATIONAL CONTAINER SERVICES	3620 W 38TH ST	CHICAGO	IL	60632
156 S	15940	National Railroad Passenger Corporation	1575 S LUMBER ST	CHICAGO	IL	60607
157 S	10698	NESTLE CHOCOLATE & CONFECTIONS	3401 MOUNT PROSPECT RD	FRANKLIN PARK	IL	60131
158 S	21811	NEW METAL CRAFTS INC	1308 N ELSTON AVE	CHICAGO	IL	60622
159 S	25910	NICKEL COMPOSITE COATINGS, INC.	6454 W 74TH ST	BEDFORD PARK	IL	60638
160 S	10987	NINA ENTERPRISES, INC	1350 S LEAVITT ST	CHICAGO	IL	60608
161 S	19614	NOBERT PLATING CO-PLANT 1	340 N ASHLAND AVE	CHICAGO	IL	60607
162 S	12622	NOBERT PLATING CO-PLANT 2	1445 N PULASKI RD	CHICAGO	IL	606511936
163 S	25686	Northstar Aerospace (Chicago), Inc.	6006 W 73RD ST	BEDFORD PARK	IL	60638
164 S	12461	NORTHWESTERN PLATING WORKS	3114 S KOLIN AVE	CHICAGO	IL	60623
165 S	24696	NU-WAY INDUSTRIES, INC	555 HOWARD AVE	DES PLAINES	IL	60018
166 S	10766	O & K American Corporation	4630 West 55th Street	CHICAGO	IL	60632
167 S	14044	Olmtec Packaging Company	11130 W KING ST	FRANKLIN PARK	IL	601311413
168 S	11716	ON-COR FROZEN FOODS INC	1227 W FULTON ST	CHICAGO	IL	60607
169 S	25248	ORTEK INC.	7601 W 47TH ST	MCCOOK	IL	60325
170 S	24078	OSI INDUSTRIES, INC	4545 S RACINE AVE	CHICAGO	IL	60609
171 S	10219	OWENS CORNING SUMMIT ROOFING	5824 S ARCHER RD	SUMMIT	IL	605010907
172 S	10316	PEER FOODS GROUP, INC	1400 W 46TH ST	CHICAGO	IL	60609
173 S	10888	PELRON CORP	7847 W 47TH ST	LYONS	IL	60525
174 S	25597	PENTAIR ELECTRONIC PACKAGING COMPANY	2001 S MT PROSPECT RD	DES PLAINES	IL	60018

Trmt Area	Facility Id	Facility Name	Address Line_1	City	State	Zip
175 S	10453	PEPSI AMERICAS	650 W 51ST ST	CHICAGO	IL	60609
176 S	11920	PETERSEN FINISHING CORP	3827 N WILLOW ST	SCHILLER PARK	IL	60176
177 S	13153	PIONEER PLATING CO INC	2101 N CICERO AVE	CHICAGO	IL	60639
178 S	23958	PORTER ATHLETIC EQUIPMENT COMPANY	2500 S 25TH AVENUE	BROADVIEW	IL	60155
179 S	13721	PRECISE FINISHING COMPANY, INC	2842 BIRCH	FRANKLIN PARK	IL	60131
180 S	10635	PRECISION INSTRUMENTS INC	1846 MINER ST	DES PLAINES	IL	60018
181 S	21463	PRO-TEC METAL FINISHING CORP	1428 N KILPATRICK	CHICAGO	IL	60651
182 S	25324	PULSAR, INC	9901 WEST PACIFIC AVE	FRANKLIN PARK	IL	60131
183 S	13277	Q.C. Finishers, Inc.	10244 FRANKLIN AVE	FRANKLIN PARK	IL	60131
184 S	10639	QUAM NICHOLS CO	234 E MARQUETTE RD	CHICAGO	IL	60637
185 S	25523	R & B POWDER COATINGS	4000 S BELL AVE	CHICAGO	IL	60609
186 S	15043	R & R RESEARCH db/a E J SOMERVILLE CO	1305 N 31ST AVE	MELROSE PARK	IL	60160
187 S	13115	R C INDUSTRIES INC	1420 N LAMON AVE	CHICAGO	IL	60651
188 S	11241	RELIABLE PLATING CORP	1538-44 W LAKE ST	CHICAGO	IL	60607
189 S	11136	REXAM BEVERAGE CAN COMPANY	1101 W 43RD ST	CHICAGO	IL	60609
190 S	13581	RIXSON-FIREMARK DIVISION	9100 W BELMONT	FRANKLIN PARK	IL	60131
191 S	13839	ROSCOE CO	3333 W HARRISON ST	CHICAGO	IL	60624/3703
192 S	10651	ROSE PACKING CO, INC	4900 S MAJOR	CHICAGO	IL	60638
193 S	15773	S & B FINISHING CO, INC	3005 W FRANKLIN BLVD	CHICAGO	IL	60612
194 S	25960	S B BORON CORP	20 DAVIS DR	BELLWOOD	IL	60104
195 S	13427	SAFETY-KLEEN SYSTEMS	1445 W 42ND ST	CHICAGO	IL	60609
196 S	11399	SAPORITO FINISHING COMPANY	3119 S AUSTIN AVE	CICERO	IL	60609
197 S	13079	SARA LEE FOODS-CHICAGO FACILITY	1000 W PERSHING RD	CHICAGO	IL	60614
198 S	12968	SCIENTIFIC PLATING	2073 N SOUTHPORT	CHICAGO	IL	60162
199 S	23995	SEXTON/CONGRESS DEVELOPMENT COMPANY	4100 FRONTAGE ROAD	HILLSIDE	IL	60455
200 S	10679	SIGNODE CORPORATION	7701 W. 71ST ST.	BRIDGEVIEW	IL	60455
201 S	11951	SKILD PLATING CORP	1516-18 N KILPATRICK AVE	CHICAGO	IL	60651
202 S	10683	SLOAN VALVE CO	10500 SEYMOUR AVE	FRANKLIN PARK	IL	60131
203 S	10854	SOLO CUP OPERATING CORPORATION	7575 S KOSTNER AV	CHICAGO	IL	60652
204 S	24585	SORINI RING MANUFACTURING CO INC	2524 S BLUE ISLAND AVE	CHICAGO	IL	60608
205 S	13729	SOUTH CHICAGO PACKING CO	945 W 38TH ST	CHICAGO	IL	60609
206 S	13828	SPECIALTY FOOD GROUP (SFG)	4550 W JACKSON BLVD	CHICAGO	IL	60624
207 S	11487	SPECIFIED PLATING CO	320 N HARDING	CHICAGO	IL	60455
208 S	26008	STAMPEDE MEAT, INC	7351 S 78TH AVE	BRIDGEVIEW	IL	60455
209 S	25817	STEEL FABRICATING & FINISHING	630 W 41ST ST	CHICAGO	IL	60609/2678
210 S	24847	STERLING PLATING	4629 N RONALD ST	HARWOOD HEIGHTS	IL	60656
211 S	15891	T A C INC	7625 W 59TH ST	SUMMIT	IL	60501
212 S	23963	T A C INC	7739 W 59TH ST	SUMMIT	IL	60501
213 S	24828	T A C INC	7745 W 59TH ST	SUMMIT	IL	60501
214 S	23833	THEODORE MERWITZ TEXTILES, INC	415 W HURON ST	CHICAGO	IL	60610
215 S	10134	THOMPSON STEEL CO	9470 KING ST	FRANKLIN PARK	IL	60131
216 S	10098	TOOTSIE ROLL IND INC	7401 S CICERO AVE	CHICAGO	IL	60629
217 S	11616	TRILLA STEEL DRUM CORP	2959 W 47TH ST	CHICAGO	IL	60632
218 S	26346	Trimmax Building Material	2600 W. Roosevelt Rd.	CHICAGO	IL	60608
219 S	10014	TRIPLE A SERVICES, INC	2637 S THROOP ST	CHICAGO	IL	60608
220 S	25719	TRI-POWDERCOATING INC	8585 S 77TH AVE	BRIDGEVIEW	IL	60455
221 S	25479	TRU-VUE	9400 W. 55TH STREET	McCOOK	IL	60525
222 S	13233	U S PLATING CO	2136 S SAWYER	CHICAGO	IL	60623
223 S	24397	U.S. Standard Sign	11400 W ADDISON ST	FRANKLIN PARK	IL	60131
224 S	24170	UNILEVER ILLINOIS MANUFACTURING LLC	9353 BELMONT AVENUE	FRANKLIN PARK	IL	60131
225 S	11443	Unilever Supply Chain, Inc.	2816 S KILBOURN AVE	CHICAGO	IL	60623
226 S	25231	UNITED DISPLAYGRAFT	333 E TOUHY AVE	DES PLAINES	IL	60018
227 S	24950	UNITED ELECTRONICS CORP	5321 N PEARL ST	ROSEMONT	IL	60018
228 S	11380	UNITED METAL FINISHERS INC	4600 W PALMER ST	CHICAGO	IL	60639
229 S	13676	UNITED RE-MANUFACTURING CO INC	9560 SORENG AVE	SCHILLER PARK	IL	60176
230 S	10735	UNITY MANUFACTURING CO	1260 N CLYBOURN AVE	CHICAGO	IL	60610
231 S	11464	UOP LLC	8400 JOLIET RD	McCOOK	IL	60525
232 S	13714	V P ANODIZING INC	1819 N LOREL AVE	CHICAGO	IL	60639

NPDES Permit Renewal

Trmt Area	Facility Id	Facility Name	Address Line_1	City	State	Zip
233 S	13053	V P PLATING & PARISO INC	1836 N LOCKWOOD	CHICAGO	IL	60639
234 S	12167	VANEE FOODS COMPANY	5418 MC DERMOTT DR	BERKELEY	IL	60163
235 S	25855	VANEE FOODS COMPANY	2759 S 25TH AVE	BROADVIEW	IL	60155
236 S	26095	Vee-Pak, Inc.	5331 DANSHER RD	COUNTRYSIDE	IL	60525
237 S	25859	VEGETABLE JUICES, INC	7400 S NARRAGANSETT	BEDFORD PARK	IL	60638
238 S	10394	VITA FOOD PRODUCTS INC	2222 W LAKE ST	CHICAGO	IL	60612
239 S	25677	VITALITY FOODSERVICE, INC.	1821 S KILBOURN AVE	CHICAGO	IL	60623
240 S	11664	WATER SAVER FAUCET CO	701 W ERIE	CHICAGO	IL	60610
241 S	10158	WERNER CO	10800 BELMONT AVE	FRANKLIN PARK	IL	60131
242 S	13340	WEST TOWN PLATING INC	5243 W 25TH PL	CICERO	IL	60650
243 S	10759	WESTERN PIECE DYERS/FINISHERS	2845 W 48TH PL	CHICAGO	IL	60632
244 S	10132	WHEATLAND TUBE CO	4435 S WESTERN BLVD	CHICAGO	IL	606093069
245 S	10769	WRIGLEY MANUFACTURING COMPANY, LLC	3535 S ASHLAND AVE	CHICAGO	IL	60609
246 S	11701	YALE POLISHERS & PLATERS INC	5247 S KEELER AVE	CHICAGO	IL	60632
247 S	11938	ZENITH FABRICATING CO	1928 N LEAMINGTON	CHICAGO	IL	60639

Trmt Area	Facility Id	Facility Name	Business Description	Product Description	Raw Material
1 S	25978	A PERFECTA METAL FINISHING COMPANY INC	ANODIZING, POWDERCOATING, WELDING	FABRICATION OF METAL PARTS	AL, STEEL, INORGANIC DYES & ACIDS
2 S	10002	ALLIED DIE CASTING CO	ALUMINUM DIE CASTING	JOB SHOP CASTINGS FOR HARLEY & GM	AL
3 S	24781	ABLE ELECTROPOLISHING CO	METAL FINISHING JOB SHOP	electropolished metal parts	nitric acid, phosphoric acid, caustic soda, trichloroethylene (toxic organic), phosphoric acid
4 S	25290	ABOVE & BEYOND BLACK OXIDE INC	METAL FINISHING	JOB-SHOP; CARBON STEEL PARTS	BLACK OXIDE SOL,SODIUM HYDROXIDE, SULFURIC ACID,AL
5 S	13583	ACCENT METAL FINISHING CO	CONVERSION COATING	JOB SHOP	BLACK OXIDE,ZINC PHOSPHATE,ACIDS,ALKALINE CLEANERS
6 S	11340	ACCURATE ANODIZING	ALUMINUM ANODIZING	FASTNERS, HARDWARE JOB SHOP	ACIDS,NICKEL, COPPER SULFATE
7 S	11166	ACE ANODIZING & IMPREGNATING INC	ANODIZING - JOB SHOP	ALUMINUM PARTS	CR, NI
8 S	11047	ADVANCE ENAMELING CO	POWDER COATING JOB SHOP		STEEL PARTS,POWDER COATINGS,PHOSPHATES
9 S	25666	AKZO NOBEL SURFACE CHEMISTRY LLC	MFG CHEMICALS FROM FATS &ORGANICS	cationic surfactants & amines	fatty acids, methylene chloride (toxic organic), benzyl chloride, dimethyl sulfate, sodium hydroxide, acetic acid, naphtha, ethanol, hydrogen peroxide
10 S	12749	ALANSON MFG CO	MFG AND PLATING STEEL TUBING	HAIR CARE,PLASTIC BOTTLES	ZINC BRIGHTNERS & STARTERS, AMMONIUM CHLORIDE, ALKALINE CLEANER, CAUSTIC SODA, HCL
11 S	11184	ALBERTO CULVER	MFG & PACKAGE HAIR CARE PRODUCTS	ANODIZE AL DIE CASTINGS	ACIDS,CHROMATES,NaOH
12 S	26150	ALL-BRITE ANODIZING COMPANY	ANODIZING		SOAP,BLEACH,ACID
13 S	25867	ALSCO-AMERICAN LINEN DIVISION	INDUSTRIAL LAUNDRY	SOFT DRINKS	WATER,SUGAR,N2 GAS & CO2 GAS
14 S	25497	AMERICAN BOTTLING	BOTTLING,DIST. & WAREHOUSE		
15 S	26135	AMERICAN MIDWEST CHROME PLATING & POLSH	CHROME PLATING & POLISHING	PLATED MARTS	H2SO4, HNO3, CU-CN, HCR
16 S	13351	AMERICAN NAMEPLATE CO	MFG NAMEPLATE PRINTING	nameplates, plaques and metal signs	aluminum, brass, rolled steel, stainless steel, acetone, desmutting cleaner, EEP, ferric chloride, hydrofluoric acid, isopropyl alcohol, methylene chloride, muriatic acid, screen wash (toluene/acetone), VM&P naphtha, xyfl
17 S	13207	AMERICAN NICKEL WORKS, INC	JOB SHOP ELECTROPLATER	NA	NI,CR,CN,ALKALINE CLEANER, TCE, SODIUM CYANIDE
18 S	25443	AMERICAN PHARMACEUTICAL	MANUFACTURING	PHARMACEUTICALS	RAW MATERIALS TYPICAL OF MULTISOURCE PHAMACEUTICAL
19 S	25577	AMERICAN PLATING & MANUFACTURING	MFG/PLATING	MUSICAL INSTRUMENTS/PARTS	BRASS & STEEL, SULFURIC ACID, SODIUM HYDROXIDE, TRICHLOROETHYLENE (toxic organic),
20 S	24468	AMERICAN STANDARD CIRCUITS INC	CIRCUIT BOARD MFG	CIRCUIT BOARDS	SODIUM HYPOCHLORITE, PLATING SOLUTIONS
21 S	25846	AMERICANJEBCO CORPORATION	RIVET MFG	RIVETS, FASTENERS, SCREWS	ACIDS,CU PLT SOL, COPPER,BRASS,STEEL
22 S	13090	ANCHOR METAL FINISHING COMPANY	METAL FINISHING *(BLACK OXIDE)	JOB SHOP	BLACK OXIDE CHEMICALS,HNO3,NaOH,HCl,MINERAL SPIRIT
23 S	14454	ANGELICA TEXTILE SVCS	LAUNDRY SERVICE	CLEAN LAUNDRY	DETERGENTS, BLEACH
24 S	25805	ANTHONY MARANO COMPANY	WHOLESALE PRODUCE DISTRIBUTOR	REPACKED TOMATOES	FRUITS AND VEGETABLES
25 S	25954	ARAMARK Uniform and Career Apparel, Inc.	INDUSTRIAL LAUNDRY	reusable textiles	detergent concentrate, fluorsilicic Acid (sour), sodium hydroxide, sodium hypochlorite, sulfuric acid, cationic polymer
26 S	14734	ASPEN FOODS DIVISION OF KOCH FOODS, INC	PROCESSOR OF CHICKEN BREASTS	OVEN READY CHICKEN KIEV	DEGREASERS, CLEANERS AND SANITIZERS
27 S	12961	AVIS COMMERCIAL ANODIZING	ANODIZING JOB SHOP	ALUMINUM LIGHT FIXTURES	CAUSTIC SODA, PHOSPHORIC ACID, SULFURIC ACID, CHROMATE
28 S	12302	AZTECA FOODS INC	FOOD - MFG TORTILLA CHIPS	corn chips, corn & flour tortillas, flour salad shells	corn, flour, soybean oil, sulfuric acid, sodium hydroxide, phosphoric acid solution, various machine oils
29 S	12831	B & T POLISHING INC	ELECTROPLATING, POLISHING	JOB SHOP Metal Finishing	ACIDS (HCL, HNO3, H2SO4, BORIC, CHROMIC), SODIUM CYANIDE, TCE, CAUSTIC SODA
30 S	12823	BARNES PLATING CORP	ELECTROPLATING JOB SHOP	VARIOUS (JOB SHOP)	PARTS, PLATING SOLUTIONS (HNO3, HCl, NaOH, NH3OH), ZINC CYANIDE, BRONZE CYANIDE
31 S	15872	BEAVER OIL CO INC	CENTRALIZED WASTE OIL RECLAIMER	#4 FUEL OIL	WASTE OILS AND COOLANTS, ACID, CAUSTIC (LIME), POLYMERS
32 S	13254	BELLWOOD INDUSTRIAL INC	ZINC PLATING JOB SHOP	STEEL PARTS	CAUSTIC SODA, ZINC CHLORIDE, MURIATIC ACID, NITRIC ACID, CHROMATES, BRIGHTNERS

Trmt Area	Facility Id	Facility Name	Business Description	Product Description	Raw Material
33 S	11138	BELMONT PLATING WORKS, INC	ELECTROPLATING JOB SHOP	COMMON METALS	ZN,CD,CR,NI,TN,BR,CU,CN,ACID,CAUST,BLEACH,POLYMER,
34 S	26039	BERKSHIRE db/a CHICAGO EXTRUDED METALS	MFG BRASS ROD, WIRE & SHAPES		SCRAP BRASS & COPPER; PB, ZN,SN INGOTS
35 S	25557	Bio Star Films, L.L.C.	MANUFACTURING--PLASTIC FILM	PLASTIC BAGS	POLYETHYLENE, COLOR ADDITIVES, INKS
36 S	11892	BOBCO ENTERPRISES INC	MFG CIRCUIT BOARDS	JOB SHOP PRINTED CIRCUIT BOARDS	COPPER, PAINT, TIN, SULFURIC ACID, BRIGHTENER, CAUSTIC, NICKEL
37 S	10311	BORG WARNER AUTOMOTIVE	MFG FRICTION PARTS	TRANSMISSION AND ENGINE COMPONENT	STEEL, PAPER, RESIN, OIL, FREON, H2SO4, AL OXIDE
38 S	11260	Bretford Manufacturing, Inc.	METAL FURNITURE MFG - Fe2(PO4)3	COMPUTER STANDS, SHELVES, CARTS	STEEL STEEL PHOSPHATING
39 S	11898	Bretford Manufacturing, Inc.	FURNITURE MFG	METAL & WOOD OFFICE FURNITURE	WOOD, STEEL, PAINT, STAIN, SEALER
40 S	10314	BREUER ELECTRIC MFG CO	MFG FLOOR MAINTENANCE EQUIPMENT	VACUUM CLEANERS, FLOOR POLISHERS	SHEET STEEL, ALUMINUM PRECAST, PLASTIC
41 S	13586	BRIDGFORD FOODS	FOOD - MEAT PROCESSING	HAMS, BACON, SAUSAGE	BEEF, PORK, SPICES, MIONIX SAFE 2 O, METHYLENE CHLORIDE
42 S	11807	CALCO PLATING, INC.	ELECTROPLATING JOB SHOP	AUTOMOBILE PARTS	HCL, CHROMIC ACID, CAUSTIC ACID, NI SOLUTIONS, SODIUM BISULFATE, COPPER & SODIUM CYANIDES, H2SO4
43 S	11196	CAPITOL WHOLESale MEATS	MEAT PRODUCTION	PACKAGED GOODS	MEAT, EQUIPMENT CLEANERS, FOOD GRADE HYDRAULIC MACHINE OIL
44 S	11576	CASTLE METAL FINISHING CORP	JOB SHOP ELECTROPLATING	ELECTROPLATING SERVICES	Cu, Ni, Cr, Cd, Zn, Sn, Pb, CHROMATE, PHOSPHATE, PASSIV ATIN
45 S	10001	CBSL Transportation Services, Inc.	CLEANING & LEASING EMPTY TANKS	BAKED/FROZEN MUFFINS, BAGELS, ROLLS	FLOUR, SUGAR, COOKING OIL, YEAST
46 S	24016	CHEF SOLUTIONS, INC	BAKERY	CUSTOM STORE FIXTURES	PHOSPHORIC ACID SOLUTION, HYDRAULIC OIL, ROLLED & FLAT SHEET STEEL, MEK
47 S	26254	Chicago American Manufacturing, LLC	mfg custom store fixtures	JOB SHOP	SULPHURIC ACID, PHOSPHORIC ACID, NITRIC ACID, CAUSTIC
48 S	11084	CHICAGO ANODIZING CO	ANODIZING	STEEL CASTINGS (RAIL/COMMERCIAL)	SAND, WATER, BONDING AGENTS, SCRAP STEEL
49 S	13268	CHICAGO CASTINGS COMPANY, LLC	STEEL FOUNDRY/HEAT TREATING	THREADED PLATED RODS	WIRE, PLATING CHEMICALS
50 S	10347	CHICAGO HARDWARE & FIXTURE	WIRE FORMS/THREADED ROD MFG	ENTREES, SPECIALTY FROZEN FOODS	VARIOUS-FROZEN
51 S	24522	CHICAGO HOSPITALITY DIV. OF TYSON FOODS	FOOD/EDIBLE PRODUCTS PROCESSING	TRANSMISSION GEARS	POWDERED IRON, BLACK OXIDE
52 S	25861	CHICAGO POWDERED METAL PRODUCTS COMPANY	SINTERED IRON GEAR MANUFACTURE	CUSTOM MOLDED RUBBER PRODUCTS	RUBBER, CURATIVES, ACTIVATORS, FILLERS, METALS, METHANOL, ISOPROPANOL, METH ISO BUTYL, NAOH, H3PO4
53 S	11256	CHICAGO-ALLIS MANUFACTURING COMPANY	ROTARY SEALS; RUBBER PROD MFG - ZN	LAMP PARTS	STEEL PLATE AND ROD
54 S	13354	CHILo MANUFACTURING & PLATING CO.	METAL STAMPING, WIRE FORMING, ASSE	CONTACT LENS	MONOMER, PLASTICS, INKS
55 S	25818	CIBA VISION CORPORATION	CONTACT LENS MFG	UNIFORM RENTALS	DIRTY CLOTHES, DETERGENTS
56 S	15985	CINTAS CORPORATION	INDUSTRIAL LAUNDRY	POTABLE WATER	RAW WATER, ALUMINUM SULFATE, LIME, CHLORINE
57 S	26070	Cintas Corporation	industrial laundry	H2O	RAW WATER, ALUMINUM SULFATE, LIME, CHLORINE
58 S	13787	CITY OF CHICAGO-JARDINE WATER FILT PLNT	POTABLE - WATER PURIFICATION	VINYL COATED METAL	STEEL, ALUMINUM, VINYL, ADHESIVE, PAINT, SOLVENT, A
59 S	13958	CITY OF CHICAGO-SO WTR PURIFICATION PLT	POTABLE - WATER FILTRATION PLANT	CR AND ZINC PLATED PARTS	JKALI
60 S	10279	CLAD-REX, INC.	VINYL TO METAL LAMINATE - IRON	JOB SHOP	JOB SHOP
61 S	12340	CODY METAL FINISHING INC	PLATING JOB SHOP	CORN SYRUP & OIL, STARCH, DEXTROSE	CORN, H3PO4, H2SO4, HCl, NH4OH, NaHCO3, HEXANE, Mg(SO3)2
62 S	25417	CORN PRODUCTS INTERNATIONAL, INC.	FOOD MANUFACTURING	CLEANING TANK TRUCKS	CAUSTIC SODA, SULFURIC ACID, ALUM SULFATE, POLYMER
63 S	17261	DANA CONTAINER INC	CLEANING TANK TRUCKS	LIQUID BLENDING	CAUSTIC SODA, GLYCERIN, HNO3, HPO4, NaOC, H2SO4, etc
64 S	13477	DELAVAL MANUFACTURING	LIQUID BLENDING	TEAT DIPS, CL'D AND ACID CLEANERS	LAMB
65 S	13681	DEN-FRANCO CORPORATION	FOOD - LAMB SLAUGHTER	PACKAGED VEAL/LAMB	SOAPS, DETERGENTS, STARCH, ACIDS (SULFURIC)
66 S	15912	DENORMANDIE TOWEL & LINEN, INC.	LAUNDRY	CLEAN LINEN	PRODUCE, MEATS, SPICES
67 S	14655	DOMINICK'S FINER FOODS, INC	FOOD IS PREPARED, PACKAGED, STORED	SALADS, SAUCES, CHEESE, CAKES	METAL PARTS, POWDERED PLASTIC
68 S	14650	DOWNEY COMPANY, B. L. INC.	CUSTOM PLASTIC COATERS	PLASTIC COATED METAL PARTS	COATINGS, ALKALI & PHO, TOLUENE, SOLVENTS,

Trmt Area	Facility Id	Facility Name	Business Description	Product Description	Raw Material
69 S	12056	DYNA-BURR CHICAGO, INC.	MECHANICAL PLATING/DEBURRING	PLATING JOB SHOP	ZN PLATING
70 S	26233	Ebro Foods	processing canned foods, meats	TAMALES, CHILI, SAUCES	FOOD INGREDIENTS, SAUSAGE, SEASONINGS, CANS, JARS, Sodium hypochlorite - cleaner, Other cleaners
71 S	11406	EDSAL MANUFACTURING COMPANY, INC	STEEL FABRICATION	shelving & cabinets	steel sheets, trichloroethylene, machine oil, powder coat paint, water based paint, phosphating solution
72 S	24378	EDSAL MANUFACTURING COMPANY, INC	MFG OF METAL SHOP FURNITURE	FURNITURE	Lubricants
73 S	14249	EL MILAGRO, INC	FOOD PROCESSING,BAKING	TORTILLAS & BLANCAS	CORN,WHEAT FLOUR,LIME
74 S	26088	El Milagro, Inc. - Plant No. 4	CORN FLOUR	CORN FLOUR	CORN, LIME
75 S	10126	Electric Coating Technologies, LLC	electrogalvanizing cold rolled steel	ELECTRO-GALVANIZED ROLLED SHEET STEEL	COLD ROLLED SHEET STEEL, GALVANIZING SOLUTION, POTASSIUM HYDROXIDE, SULFURIC ACID, HYDROCHLORIC ACID, SODIUM HYDROXIDE, CHROMATE SOLUTIONS
76 S	13393	Electro-Motive Diesel, Inc.	MFG DIESEL LOCOMOTIVES	diesel locomotive engines	coolant, lube oil, petroleum solvent, diesel fuel, gasoline, hydraulic oil, sulfuric acid, ferric chloride, steel parts
77 S	12222	ELECTRONIC PLATING COMPANY	ELECTROPLATING JOB SHOP	FASTENERS,METAL STAMPINGS	NI,ZN,CD,CR
78 S	15609	ELGIN DAIRY FOODS, INC	FOOD PRODUCTS/DAIRY	FROZEN YOGURT MIX,CREAMS	ACID/CAUSTIC SANITIZING CHEMICALS, BOILER CHEMICALS, P/T SYSTEM CHEMICALS
79 S	10425	ELKAY MANUFACTURING COMPANY	METAL FABRICATION	STAINLESS STEEL SINKS	STAINLESS STEEL, GALVANIZED STEEL, ALKALINE WASH, CAUSTIC, ACID, NAPHTHA, LIQUID SOAP, OIL, ANHYDROUS AMMONIA
80 S	11977	EMPIRE HARD CHROME	HARD CHROME ELECTROPLATING	JOB SHOP ELECTROPLATED PARTS	CHROMIC ACID,HCL, H2SO4,H3PO4,NaOH,OIL,MINERAL SPIR
81 S	25146	EMPIRE HARD CHROME PLANT 2	CHROME PLATER JOB PLATER	CUSTOM PARTS PLATING JOB SHOP	H2CrO4,H3PO4,HCL,HNO3,H2SO4,NaOH,ZINCATE & TIN PLA
82 S	15546	EN-CHRO PLATING, LTD	ELECTROLESS NI, HARD CHROME	PLASTICIZERS	PRINT ROLLERS,HYDRAULIC RAMS
83 S	10204	ESTER SOLUTIONS COMPANY	CHEMICAL MFG	PORK RIND PELLETS, FRIED PORK RIND SKINS	ESTERS
84 S	11126	EVANS FOOD PRODUCTS	MFG FOOD SNACKS	ITEMS FOR HOTEL & RESTAURANTS	PORK SKINS
85 S	25365	EX-CELL METAL PRODUCTS	MANUFACTURING METAL PRODUCTS	BLACK OXIDE	BLACK OXIDE, HCl, NaOH, MINERAL SPIRITS, PETROLEUM
86 S	26117	EXPERT METAL FINISHING, INC.	METAL COATING	CANDY	CORN
87 S	25813	FARLEY'S & SATHERS CANDY COMPANY	CANDY MANUFACTURER	JELLY BEANS, JAW BREAKERS, CANDY	SYRUP, SUGAR, STARCH, GELATIN, COLOR, FLAVORING, WA
88 S	12240	FERRARA PAN CANDY CO	FOOD - MFG CANDY	CUSTOM PROFILE PLASTIC EXTRUSIONS	SUGAR, CORN SYRUP, COLORINGS, FLAVORINGS
89 S	25815	Filterna Extrusion, Inc.	PLASTIC EXTRUSION MOLDING	POWDER COATED - CUST SUPPLIED PTS	RESIN PELLETS, COLORING AGENTS
90 S	24826	FINISHING COMPANY, INC	POWDER COATING	display fixtures	NEUTRAL CLEANERS, IRON PHOSPHATE POWDER
91 S	11855	Finishing Company, Inc. (The)	Electroplating & powder coating job shop	HOTEL-SPECIFIC LAUNDRY	COATINGS
92 S	25938	FIVE STAR LAUNDRY, INC	INDUSTRIAL LAUNDRY & DRY CLEANING	LIGHTING FIXTURES	Ni, Sn, Cu, Zn, CN
93 S	25554	FOCAL POINT LLC	LIGHTING FIXTURE MFG	SUGAR, STARCH, OIL, LIVESTOCK FEED	DETERGENTS, HYDROGEN PEROXIDE, FABRIC SOFTNER, SODIUM HYDROXIDE, BLEACH
94 S	14279	FOODLINER, INC	FOOD-GRADE TRANSPORT, TANK WASH	SUGAR, STARCH, OIL, LIVESTOCK FEED	METAL, IRON PHOSPHATE SOLUTION
95 S	11905	FOREST PLATING CO	ZINC, CHROME, NICKEL ELECTROPLATING	LIGHT FIXTURES	NaOH, Na2SO3, NaHClO3, H3PO4, SOAP, LUBE OIL, GREASE, NAP
96 S	10439	FRAMBURG & COMPANY	MFG LIGHTING FIXTURES	SALADS - PRE-CUT PRODUCE	STEEL PARTS
97 S	24639	FRESH EXPRESS-ADDISON	FRESH VEGETABLE PROCESSING	PACKAGED PRODUCE	ZN BRASS, STEEL, AL, SULFURIC ACID, HYDROCHLORIC ACID, CHLORINE, CAUSTIC, ELECTROCLEANER, BRIGHT DIP, BLACK OXIDE
98 S	25760	FRESH EXPRESS-EDGINGTON	PRODUCE PROCESSER	FRUIT, VEGETABLES	CHLORINE, NITROGEN & WATER
99 S	24111	FRESH EXPRESS-NEVADA	FOOD PROCESSING	PACKAGED PRODUCE	FRESH FRUIT
100 S	26315	Fuel Systems, Inc.	mfr and powder coats fuel tanks	AUTO/TRUCK FUEL TANKS	alkaline cleaners, phosphating solution, water based and powder paints, lubricants, sheet steel
101 S	21831	G & K SERVICES	INDUSTRIAL LAUNDRY	CLEAN UNIFORMS, SHOP RAGS & FLOOR RUGS	FERRIC CHLORIDE, POLYMER, LIME, DETERGENTS, BLEACH
102 S	25694	GATE GOURMET NARROW BODY KITCHEN	FOOD PREPARATION	IN-FLIGHT FOOD	

NPDES Permit Renewal

Trmt Area	Facility Id	Facility Name	Business Description	Product Description	Raw Material
103 S	25695	GATE GOURMET UNIT 239	FOOD PREPARATION	IN-FLIGHT MEALS	Zn,Ni,NaCN,NaOH,HCl,H2NO3,H2SO4HClO3,FeCl2,CHRO
104 S	12719	GATTO INDUSTRIAL PLATERS, INC.	ELECTROPLATING JOB SHOP	ZINC AND NICKEL PLATED PARTS	MAT
105 S	12197	GEO-RAE CORPORATION	FABRICATE METAL DISPLAY CABINETS	SHEET METAL CABINETS & DISPLAYS	STEEL,PAINT,IRON PHOSPHATE SOLUTION
106 S	25657	GRACE DAVISON	MFG-INORGANIC CHEM CATALYSTS	CATALYSTS	Al oxide,Co, Ni, Mo, acetates?, gluconic acid, hydrated alumina, NaOH, H2SO4, Na2CO3, Na silicate
107 S	23696	GREENLEE DIAMOND TOOL CO	MFG DIAMOND ABRASIVE TOOLS	CUTTING & GRINDING TOOLS	FE,CU,SN,ZN,AG POWDERS,STEEL,NI PLATING
108 S	11724	Griffin Plating Co., Inc.	ELECTROPLATING JOB SHOP	CU,NI,CR PLATING	RESIN,DIAM, PHENOLIC RESIN
109 S	13021	Griffith Laboratories U.S.A., Inc.	FOOD - VEGETABLE PROTEIN MFG	HYDROLYZED VEGETABLE PROTEIN	ZINC,STEEL,BRASS,ALUM
110 S	11837	GUTMANN LEATHER LLC	LEATHER FINISHING	LEATHER FOR SHOES	CORN WHEAT SOY
111 S	10471	HANDY KENLIN GROUP	METAL STAMPING/PLASTIC MOLDING	FURNITURE HARDWARE	HIDES,CHROMIUM,ACIDS,CAUSTICS,ETC.
112 S	25136	HINCKLEY SPRINGS	WATER PURIFICATION & BOTTLING	DISTILLED/FLUORIDATED/DRINKING HOH	STEEL,ALUMINUM,BRASS,Zn,Ni,H2SO4,HCl,NaOH,NatHS O3,D
113 S	25137	HINCKLEY SPRINGS	WATER PURIFICATION & BOTTLING	1 GAL & 2.5 GAL BOTTLED HOH	PLASTIC BOTTLES,CITY-SUPPLIED
114 S	25612	Hi-TEMP HEAT TREATING, INC.	HEAT TREATING/PHOSPHATE/PLATING	VARIABLE	HOH,CARBON,NaHClO3,N
115 S	25341	Hop Kee Inc d/b/a Oriental Delicacies Inc. Hong Kong Market	FOOD PROCESSING	MUNG BEAN SPROUTING	PLASTIC BOTTLES, MINERALS, FLUORIDE, CITY-SUPPLIED, NaOH; Ca??; Mg??; K??; F?; H2SO4; H3PO4;
116 S	10487	HORWEEN LEATHER CO	TANNERY	LEATHER	HNO3;, Didecylmethyl-NH3Cl, Lubricating oil
117 S	10050	ICI UNIQEMA INC	OLEOCHEMICAL & GLYCERINE MFG	OLEIC ACID, STEARIC ACID, GLYCERINE	PLTG CHEMICALS,QUENCH OIL,TREATMENT
118 S	13717	Imperial Plating Company, Inc.	JOB SHOP ELECTROPLATING	MODULAR ELECTRONIC ENLOSURES	MUNG BEANS AND WATER
119 S	26285	IMS Engineered Products LLC	METAL FABRICATION	TUBING	HIDES, DIESEL, KEROSENE, SODIUM BICHROMATE, SODIUM HYDROSULFIDE, SULFURIC ACID
120 S	12976	INPLEX LLC	PLASTIC EXTRUSIONS	DIESEL ENGINES	TALLOW, COCONUT OIL
121 S	10509	INTERNATIONAL TRUCK AND ENGINE	METAL - MAUFACTURING/TESTING	PIES,CAKES,HONEY-BUNS	STAMPINGS/WIRE/STEEL; BRASS-Zn-Cu-Au CYANIDE; NICK
122 S	25090	INTERSTATE BRANDS CORPORATION	FOOD-WHOLESALE BAKERY	ALUMINUM CONTAINERS	STEEL, ALUMINUM, PHOSPHATING CHEMICALS
123 S	12424	J L O Metal Products, Inc.	COLD DRAWING & EXTRUSION	automotive drive train parts	POLYETHYLENE,POLY
124 S	26286	Jernberg Industries, Inc.	METAL - STEEL FORGINGS	BREAD, BAKED GOODS,TRUCK WASH	PROPYLENE,POLYURETHENE,VINYLS
125 S	10518	JEWEL FOOD STORES	FOOD - BAKERY, WAREHOUSE, DISTR.	CR PLATED PARTS FOR AGR EQMT	CASTINGS,PAINT
126 S	13724	JONAS ENTERPRISES INC	ELECTROPLATING JOB SHOP	SOLDER, SOLDERING CHEMICALS	FLOUR,EGGS,SHORTENING,FRUIT,SPICES,NUTS,YEA ST,PRES
127 S	13590	KAC HOLDINGS, INC.	SOLDER MANUFACTURER	CANDY, FRUIT SNACKS	ALUMINUM,NaOH,KEROSENE,HNO3/FESO4,LUBRICAN TS,ACUO
128 S	25810	Keebler Company	FOOD MANUFACTURER	ICE CREAM ADDITIVE INGREDIENTS	STEEL, CUTTING OILS, GRAPHITE
129 S	11133	Kerry Sweet Ingredients	FOOD INGREDIENT MFG	SOLDER PELLETS	FLOUR,SHORTENING,EGGS,SUGAR,CORN SYRUP
130 S	24910	KILOBAR COMPACTING CORP	METAL COMPACTING (POWDER)	COAL TAR DISTILLATES, PHTHALIC	CHROMIC ACID, NaOH, HCL
131 S	25773	ARGO	BULK LIQUID STORAGE/DISTRIBUTION	CRACKERS/COOKIES	LEAD,TIN,FLUX,ALCOHOLS
132 S	10157	KOPPER INCORPORATED	MFG - COAL TAR DISTILLATES	INGOTS	CORN SYRUP,STARCH, Ethyl alcohol (flavoring), sodium hydroxide, potassium hydroxide, sodium hypochlorite, phosphoric acid, sulfuric acid
133 S	25811	Kraft Foods Global, Inc.-Nabisco Biscuit Division	FOOD MFG	VARIETY-AEROSPACE,DECORATIVE,MILI	hydroxide, potassium hydroxide, sodium hypochlorite, phosphoric acid, sulfuric acid
134 S	10536	KRAMER, H & CO	SMELTING/REFINING COPPER ALLOYS	AEROSPACE,MILITARY,DECORATIVE	COCOA, NUT'S, FRUIT, SUGAR, COCONUT OIL, CREAM,EGGS
135 S	11882	KREL LABORATORIES INC	PLATING JOB SHOP	MFG - ELECTROPLATING JOB SHOP	TIN, LEAD, BISMUTH, INDIUM, ZINC, ANTIMONY
136 S	11883	KREL LABORATORIES INC	MFG - ELECTROPLATING JOB SHOP		LIQUID PETROLEUM PRODUCTS, COMPANY IS A CHEMICAL BULK/STORAGE TRANSFER FACILI CRUDE/COKE OVEN COAL TAR

Trmt Area	Facility Id	Facility Name	Business Description	Product Description	Raw Material
37 S	13793	KRONOS PRODUCTS, INC	FOOD MFG.	beef / lamb gyro cones	alkaline cleaners, acidic cleaners, various cleaners, sodium hydroxide, sulfuric acid, aluminum sulfate, beef, lamb, chicken
38 S	10885	LAKEWOOD ENGINEERING & MFG	MFG-ELECTRICAL APPLIANCES	FANS,SPACEHEATERS	SHEET STEEL,ELECTRIC MOTORS
39 S	26262	Lemon Scents	commercial laundry		EXPANDABLE POLYSTYRENE
40 S	13489	Lifoam Industries, LLC	PLASTIC MOLDING		STEEL, PLASTIC LAMPS, LIQUID PAINT SPRAY
41 S	11713	LOGAN ELECTRIC SPECIALTY MFG CO	MFG-PHOTOGRAPHIC METAL PROD		STEEL, ZINC
42 S	10522	MacLean Power Joslyn	FORGE/PICKLING/GALV/COPPER FLASH		
43 S	10103	MASTERFOODS USA, A DIVISION OF MARS INC	FOOD - MFG CHOCOLATE CONFECTION	CANDY BARS,SNICKERS,MILKYWAY,MARS	SUGAR,CORN SYRUP,CHOCOLATE MILK FLAVORINGS
44 S	25768	MECALUX ILLINOIS INC	STORAGE RACK MANUFACTURER	INDUSTRIAL SIZE METAL RACKS/POSTS	STEEL STRIP COILS, PAINTS
45 S	11064	Mech-Tronics	PRECISION METAL FABRICATION	JOB SHOP CIRCUIT BOARDS	ROLL STOCK,ALUMINUM
46 S	25836	Mech-Tronics Corporation	PRECISION METAL FABRICATION	DISPLAYS,TOOL BOXES,CABINETS	NITRIC ACID,SULFURIC ACID,ALUMINUM
47 S	24882	METAL BOX INTERNATIONAL, INC.	SHT MTL FABRICATION, FINISHING	STEEL TUBES	COILED SHEET STEEL
48 S	24771	METAL-MATIC INC	FAB. WELDED SEAM STEEL TUBING	JOBSHOP	TIN PLATING,CYANIDE BRASS PLATG, NI PLTG
49 S	12951	MIDWEST METAL FINISHING	ELECTROPLATING JOB SHOP		ALUMINUM PARTS, NITRIC ACID, PHOSPHORIC ACID, CAUSTIC SODA, SULFURIC ACID, NON-ALKALINE CLEANERS
50 S	13289	MIKE'S ANODIZING	ALUMINUM ANODIZING JOB SHOP	ALUMINUM ANODIZED PARTS	STAINLESS STEEL, COLD-ROLL STEEL, AL,CU,BRASS
51 S	25498	MONTANA METAL PRODUCTS	FABRICATION OF METAL PRODUCTS	MACHINE PARTS FOR TEL & MED IND.	Starch, Sodium Hypochlorite, Oxidizer, Nuphase I & II,
52 S	25991	MORGAN SERVICES, INC	INDUSTRIAL LAUNDRY	Reusable Textiles	Alkaline Detergents
53 S	14095	MULLINS FOOD PRODS/PACKAGING SER	FOOD - VARIOUS CONDIMENTS	various condiments for restaurant use	deodorizer / sanitizer, aluminum sulfate, chlorinated alkaline cleaners, sodium hydroxide, lubricating oils, various spices, fruits, veggies, sugar
54 S	10593	NALCO COMPANY	CHEMICAL MANUFACTURING	COLLOIDIAL SILICA	SILICA, SULFURIC ACID, SODIUM HYDROXIDE
55 S	15958	NATIONAL CONTAINER SERVICES	PLASTIC DRUM RECONDITIONER,TOTES	cleaned & reconditioned plastic drums and totes	calcium chloride
56 S	15940	National Railroad Passenger Corporation	RAILROAD - PASSENGER		FUEL, HYDRAULIC LUBE OIL
57 S	10698	NESTLE CHOCOLATE & CONFECTIONS	FOOD - MFG CONFECTIONARY	CANDY	COCOA,SUGAR,VEGETABLE OILS,MILK,PEANUTS
58 S	21811	NEW METAL CRAFTS INC	METAL FINISHING CAPTIVE SHOP	LIGHT FIXTURES	CN,ZN,CU,NI ACIDS, CAUSTICS,SOLVENTS,CN BRASS
59 S	25910	NICKEL COMPOSITE COATINGS, INC.	COATING OF ALUMINUM PARTS	NICKEL COATED ALUMINUM PARTS	ALUMINUM, NICKEL
60 S	10987	NINA ENTERPRISES, INC	METAL FINISHING CAPTIVE SHOP	OFFICE FURNITURE & ACCESSORIES	PAINT, PHOSPHATE CLEANER, PAINT THINNER (ACETONE/TOLUENE BLEND)
61 S	19614	NOBERT PLATING CO-PLANT 1	ELECTROPLATING/METAL FINISHING	JOB SHOP	STEEL PARTS/TIN/COPPER/NICKEL/SILVER/GOLD, HCL, H2SO4, HNO3 ,NaOH, CLEANERS, AMMONIUM HYDROXIDE
62 S	12622	NOBERT PLATING CO-PLANT 2	ELECTROPLATING JOB SHOP	JOB SHOP	COPPER,NICKEL,CYANIDE,TIN,STEEL,BRASS PARTS, HCL, NaOH, Cu Cn POWDER
63 S	25686	Northstar Aerospace (Chicago), Inc.	MANUFACTURING	AIRCRAFT GEARS & RELATED PARTS	STEEL,MAGNESIUM & ALUMINUM
64 S	12461	NORTHWESTERN PLATING WORKS	JOB SHOP ELECTROPLATING CD	PLATED STEEL HARDWARE ITEMS	CASTINGS,CU,CD,CR,SN
65 S	24696	NU-WAY INDUSTRIES, INC	METAL FABRICATION & FINISHING	FABRICATED METAL PARTS	ZINC,NICKEL,COPPER,BRASS,CYANIDE
66 S	10766	O & K American Corporation	WIRE DRAWING	COATED STEEL WIRE	STEEL, STAINLESS STEEL, ALUMINUM, PHOSPHATE, IRRID
67 S	14044	Olmarc Packaging Company	FOOD AND JUICE MIXER, PACKAGING	DRY FOODS, JUICE DRINKS	COILED STEEL RODS,HCL,ZINC/PHOSPHATE,BORAX
68 S	11716	ON-COR FROZEN FOODS INC	FOOD - PROCESS FROZEN MEAT DISHES	FROZEN MEAT ENTREES	SPICES, DRY FOOD, JUICE
69 S	25248	ORTEK INC.	OIL RE REFINING	PETROLEUM LUBE OIL	FROZEN
70 S	24078	OSI INDUSTRIES, INC	FOOD - MEAT PROCESSING	PREPARED FOODS	MEATS,PASTA,VEGETABLES,FLOUR,STARCH,SUGAR, H, CLEANERS AND SANITIZERS
71 S	10219	OWENS CORNING SUMMIT ROOFING	MICS - MANUFACTURING	ROAD ASPHALT,ROOFING MATERIAL	WASTE OIL
72 S	10316	PEER FOODS GROUP, INC	FOOD - MEAT PROCESSING	Smoked Ham, Bacon, Turkey	MEATS, CURING SOLUTIONS, Paint, oil, soap, aluminum hydrochloride, anionic polymer

Trmt Area	Facility Id	Facility Name	Business Description	Product Description	Raw Material
173 S	10888	PELRON CORP	ORGANIC CHEMICAL MFG	WETTING AGENTS, POLYOLS	PROPYLENE, ETHYLENE OXIDE, POTASSIUM HYDROXIDE, GLYCOL
174 S	25597	PENTAIR ELECTRONIC PACKAGING COMPANY	POWDER COATING	COMPUTER HOUSINGS	SHEET METAL,ALKALINE CLEANER,IRON PHOSPHATE SOLUTI
175 S	10453	PEPSI AMERICAS	FOOD - BOTTLED BEVERAGES	various soft drink products	concentrated beverage syrups, ferric sulfate, dioklor, high fructose corn syrup
176 S	11920	PETERSEN FINISHING CORP	ANODIZING JOB SHOP	ANODIZED ALUMINUM COILS	ACID,CAUSTICS,DESMUT,ROLLED AL COILS SUPPLIED BY C
177 S	13153	PIONEER PLATING CO INC	JOB SHOP ELECTROPLATING	PLATED STEEL PARTS	ZN,CR,CN,CAUSTIC,ACIDS,BISULFITE
178 S	23958	PORTER ATHLETIC EQUIPMENT COMPANY	MFG OF SPORTS EQUIPMENT	basketball backboards & support structures	steel stock, water based paint, powdercoating, phosphating solution, non-chromate sealer
179 S	13721	PRECISE FINISHING COMPANY, INC	ELECTROPLATING JOB SHOP	ELECTRICAL PARTS	CU,NI,SN,AG,AU-PLATING ON STEEL AND BRASS
180 S	10635	PRECISION INSTRUMENTS INC	METAL FINISHING CAPTIVE SHOP	TORQUE WRENCHES/TEST EQUIPMENT	STEEL,ALUMINUM AND NICKEL & CHROMIUM PLATING BRASS
181 S	21463	PRO-TEC METAL FINISHING CORP	METAL FINISHING JOB-SHOP	CARBON STEEL PARTS	BLACK OXIDE (DRY), PHOSPHATE SOLUTION, CLEANERS (DRY), SULFURIC ACID, OILS, DEBURRING SOAP
182 S	25324	PULSAR, INC	MFG OF PRINTED CIRCUIT BOARDS	PRINTED CIRCUIT BOARDS	CU,CLEANERS,ACIDS,STRIPPERS
183 S	13277	Q.C. Finishers, Inc.	METAL FINISHING JOB SHOP	CUSTOM PAINTING/MARKING	PHOSPHATES & CHROMATING SOLINS,ALUMINUM,STEEL,PAINT
184 S	10639	QUAM NICHOLS CO	METAL FINISHING CAPTIVE SHOP	LOUDSPEAKERS	PAINT, GLENE#7,GP30,DEBUR SOAP,PHOSCAT 7 CLEANER
185 S	25523	R & B POWDER COATINGS	JOB SHOP (POWDER-COATER)		PHOSPHATING SOLUTION; ALKALINE CLEANER
186 S	15043	R & R RESEARCH db/a E J SOMERVILLE CO	HARD CHROME PLATING JOB SHOP		CHROMIC ACID,STEEL PARTS
187 S	13115	R C INDUSTRIES INC	METAL FINISHING JOB SHOP	PHOSPHATING & BLACK OXIDING PARTS	MURIATIC ACID,CAUSTICS,BLACK,METALS, HCL, H2SO4, PENTRATE SUPER BLACK, ACIDS SALTS, NICKEL SULFATE
188 S	11241	RELIABLE PLATING CORP	ELECTROPLATING JOB SHOP	PLATING,CHROMATING,PASSIVATING	ACIDS (HCL, H2SO4, HNO3), NaOH, SODIUM BISULFATE, CN SALTS, NI STRIP
189 S	11136	REXAM BEVERAGE CAN COMPANY	CAN MAKING	JOB SHOP, ALUMINUM BEVERAGE CANS	ALUMINUM
190 S	13581	RIXSON-FIREMARK DIVISION	MF CAPTIVE SHOP - PHOSPHATING	DOOR CLOSERS AND HARDWARE	BRASS,CAST IRON & STEEL PARTS;ALKALINE/ACIDIC CLEA, ZINC PHOSPHATE, IRON PHOSPHATE,
191 S	13839	ROSCOE CO	INDUSTRIAL LAUNDRY	WASHING UNIFORMS,MATS,TOWELS	CHROMATES, ACIDS, CAUSTICS, PAINTS/THINNERS
192 S	10651	ROSE PACKING CO, INC	FOOD - MEAT PROCESSING	cured & smoked pork products	DETERGENT, EMULSIFYING OIL, BLEACH,
193 S	15773	S & B FINISHING CO, INC	METAL FINISHING JOB SHOP	JOB SHOP, PAINTED CUSTOMER PARTS	pork, sugar, spices, alkaline cleaners, acidic cleaners, sodium hypochlorite
194 S	25960	S B BORON CORP	MANUFACTURER OF BORON	BORON	PAINT, XYLENE, TOLUENE, IRON PHOSPHATE, ALKALINE CLEANERS, NON-CHROME SEALER
195 S	13427	SAFETY-KLEEN SYSTEMS	CENTRALIZED-SOLVENT RECOVERY	reclaimed solvents	BORIC OXIDE, MAGNESIUM, ACID,CAUSTIC SODA,PROPANE,
196 S	11339	SAPORITO FINISHING COMPANY	ELECTROPLATING JOB SHOP	KOSHER SAUSAGE,CORNEED BEEF ...	Industrial spent solvents & organics
197 S	13079	SARA LEE FOODS-CHICAGO FACILITY	FOOD - SAUSAGE MANUFACTURING		ZN,CR,NI,CU,SN,AG,AU,CN
198 S	12968	SCIENTIFIC PLATING	JOB SHOP ELECTROPLATER		MEATS AND SPICES
199 S	23995	SEXTON/CONGRESS DEVELOPMENT COMPANY	MUNICIPAL SANITARY LANDFILL	SOLID WASTE DISPOSAL	ELECTROPLATING SOLUTIONS,ACIDS,CLEANERS
200 S	10679	SIGNODE CORPORATION	MFG.&PACKAGING	STEEL STRAPPING AND SEALS	MUNICIPAL SOLID WASTE, CONSTRUCTION, DEMOLITION WA
201 S	11951	SKILD PLATING CORP	JOB SHOP ELECTROPLATER	PLATED PARTS	STEEL COILS
202 S	10683	SLOAN VALVE CO	METAL FINISHING CAPTIVE SHOP	PLUMBING FIXTURES	NI,ZN,BLACK OXIDE,PASSIVAING,BLACK ZN(CR), BRIGHTNERS, WETTING AGENTS, HCL, ZINC SOLUTION, H2SO4, HNO3, NICKEL SOLUTION
203 S	10854	SOLO CUP OPERATING CORPORATION	DISPOSABLE PAPER/PLASTIC	TABLEWARE,CONTAINERS,GLASSES,STRA	COPPER ALLOY PARTS,NI & CR PLATING SOLUTIONS
204 S	24585	SORINI RING MANUFACTURING CO INC	MFG DRUM RINGS	DRUM RINGS	PAPER MILL ROLLS,PLASTIC PELLETS,INKS
205 S	13729	SOUTH CHICAGO PACKING CO	FOOD - MEAT AND FAT PROCESSING	various meat products, edible oils	STEEL STOCK, POWDER COATING, PHOSPHATING SOLUTION

Trmt Area	Facility Id	Facility Name	Business Description	Product Description	Raw Material
206 S	13828	SPECIALTY FOOD GROUP (SFG)	FOOD - MEAT PROCESSOR	LUNCHEON MEAT, SAUSAGE, HOT DOGS	H2SO4, HCL, Cleaners - H3PO4, Chlorine, Ammonia, Sanitizers - NaOH, NaOCl, Peroxyacetic Acid, UltraLac SL 564 (bacteria inhibitor)
207 S	11487	SPECIFIED PLATING CO	ELECTROPLATING JOB SHOP	ZINC-PLATED STEEL PARTS	Caustic, H2SO4, HNO3, Chromic Acid, Sodium CN, Phosphoric Acid, Brightner
208 S	26008	STAMPEDE MEAT, INC	BEEF AND PORK PROCESSING	VACUUM PACKED STEAKS AND CHOPS	SUB-PRIME CUTS OF BEEF AND PORK
209 S	25817	STEEL FABRICATING & FINISHING	MFG METAL OFFICE FILING SYSTMS	DESK ACCESSORIES, CABINETS	SHEET STEEL, IRON PHOSPHATE SOLUTIONS
210 S	24847	STERLING PLATING	METAL FINISHING JOB SHOP	ZN,SN,CU,NI -PLATING	BASIS:STEEL,CU,BRASS,DIE CASINGS(ZN&AL)
211 S	15891	T A C INC	TRUCK TANK WASH		DETERGENT, CAUSTIC SODA, POLYMER, SULFURIC ACID, SODIUM HYDROXIDE, DIESEL FUEL
212 S	23963	T A C INC	FOOD GRADE TANK TRUCK WASH		DETERGENT, CAUSTIC
213 S	24828	T A C INC	TANK TRUCK CLEANER		SODIUM HYDROXIDE, TOLUENE, DETERGENTS, LIME, ALUM, POLYMER
214 S	23833	THEODORE MERWITZ TEXTILES, INC	TEXTILES	CUSTOM TRIMMINGS	SPUN RAYON, COTTON, WOOL, DYE POWDERS, HYDROGEN PEROXIDE, ACETIC ACID, SODIUM
215 S	10134	THOMPSON STEEL CO	COLD ROLLED STRIP STEEL MFG	COIL	STEEL COIL
216 S	10098	TOOTSIE ROLL IND INC	FOOD - MFG CANDY	CANDY	SUGAR,CORN SYRUP,COCOA POWDER,DAIRY
217 S	11616	TRILLA STEEL DRUM CORP	MFG STEEL DRUMS	STEEL DRUMS	PRODUCTS,VEG.
218 S	26346	Trimmax Building Material	Plastic Recycling		STEEL COILS
219 S	10014	TRIPLE A SERVICES, INC	FOOD MANUFACTURER--VENDING	BAKED PRODUCTS&VARIOUS FOOD PROD.	CHICKEN EGGS,FLOUR,SAUSAGE,BEEF
220 S	25719	TRI-POWDERCOATING INC	PHOSPHATE/POWDER COAT JOB SHOP	COATED METAL PARTS	METAL PARTS, PHOSPHORIC ACID, CAUSTIC, POWDER PAIN
221 S	25479	TRU-VUE	GLASS PROCESSING & MAT BOARD MFG.	etched & coated glass	70% hydrofluoric acid, 50% sodium hydroxide, lacquer thinner, methanol, isopropyl alcohol
222 S	13233	U S PLATING CO	ELECTROPLATING JOB SHOP		Zn,Cd,Ni,BRASS,Cu,Sn,BLACK
223 S	24397	U.S. Standard Sign	METAL FINISHING CAPTIVE SHOP	ALUMINUM SIGN BLANKS	OXIDE,PHOSPHATE,CHROMAT
224 S	24170	UNILEVER ILLINOIS MANUFACTURING LLC	FOOD PROCESSING	SOUPS,POWDERED MIXES,	SHEET ALUMINUM,ALKALINE CLEANER,CHROMATING SOLN (A)
225 S	11443	Unilever Supply Chain, Inc.	FOOD PROCESSING & PACKAGING	Hellmann's brand mayonnaise	MEATS,VEGETABLES,CORN SYRUP,OILS
226 S	25231	UNITED DISPLAYCRAFT	MFR METAL RACKS	DISPLAY RACKS	sodium hypochlorite, sodium hydroxide, sulfuric acid, recovered vegetable oil, various sanitizers, liquid sucrose, vinegar (12%)
227 S	24950	UNITED ELECTRONICS CORP	PRINTED CIRCUIT BOARD MFG	PRINTED CIRCUIT BOARDS	STEEL SHEET,WIRE,TUBES; POWER PAINT COATING
228 S	11380	UNITED METAL FINISHERS INC	ELECTROPLATING JOB SHOP	JOB SHOP	PHOSPH
229 S	13676	UNITED RE-MANUFACTURING CO INC	REBUILD CARBURETORS,FUEL	CARBURETORS,FUEL INJECTOR SYSTEMS	DIELECTRIC BASEBOARDS,SODIUM PERSULFATE,AMMONIUM H
230 S	10735	UNITY MANUFACTURING CO	ELECTROPLATER	SPOTLIGHT/FOGLIGHT MFG	PLATING CHEMICALS,CARBON STEEL
231 S	11464	UOP LLC	CHEMICAL MFG/RESEARCH & DEVELOPME	CATALYSTS	PARTS FOR CARBURETORS, FUEL INJECTORS
232 S	13714	V P ANODIZING INC	AL ANODIZING; S-STEEL PASSIVATING	ALUMINUM INDUSTRIAL MACHINE PARTS	STEELSHEETING,CU,CR,NI,PLATING SOLUTIONS
233 S	13053	V P PLATING & PARISO INC	ELECTROPLATING JOB SHOP	BRASS,AL,S-STEELPARTS	ALUMINUM CHLORIDE, NITRIC ACID, VARIOUS
234 S	12167	VANEE FOODS COMPANY	FOOD PROCESSOR	CANNED MEATS, GRAVIES, CHILI, SOUPS	PETROLEUM DISTILLATES, NAPHTHA, NICKEL
235 S	25855	VANEE FOODS COMPANY	FOOD PROCESSOR	CANNED SOUP, SAUCES	COMPOUNDS, HYDROCHLORIC ACID, SULFOPHTHALIC ACID, XYLENE, COPPER
236 S	26095	Vee-Pak, Inc.	MANUFACTURING	COSMETIC PREPARATIONS/SHAMPOO	COMPOUNDS, POTASSIUM HYDROXIDE, TOLUENE, BENZENE, PHTHALIC ANHYDRIDE, ETHYLBENZENE, ACETONE, CYCLOHEXANE
237 S	25859	VEGETABLE JUICES, INC	FOOD MANUFACTURING	VEGETABLE JUICES	ACETIC,CHROMIC,CITRIC,HNO3,H2SO4,NAOH,DESMUT ,NI-AC

NPDES Permit Renewal

Trmt Area	Facility Id	Facility Name	Business Description	Product Description	Raw Material
238 S	10394	VITA FOOD PRODUCTS INC	FOOD - FISH PROCESSING	SMOKED SALMON,PICKLED HERRING	FISH VINEGAR,SALT,SPICES, CAUSTIC, SANITIZERS, CLEANERS, PAINTS
239 S	25677	VITALITY FOODSERVICE, INC.	FOOD PROCESSING	JUICE AND BLENDED DRINKS	JUICE CONCENTRATE,SUGER,ARTIFICIAL COLOR/FLAVOR
240 S	11664	WATER SAVER FAUCET CO	METAL FINISHING JOB-SHOP	PLUMBING HARDWARE COMPONENTS	BRASS STOCK,CLEANERS,ACID,NICKEL SALTS,CHROMIC ACI
241 S	10158	WERNER CO	ALUMINUM/PLASTIC PRODUCTS MFG	EXTRUDED ALUMINUM/FIBERGLASS LADD	ALUMINUM,POLYESTER RESIN, GLASS MATTE
242 S	13340	WEST TOWN PLATING INC	ELECTROPLATING JOB SHOP		FASTENERS & SMALL HARDWARE
243 S	10759	WESTERN PIECE DYERS/FINISHERS	LAUNDRY - FABRIC FINISHING	FINISHED/DYED/DESIZED FABRIC	PROBAN CC,H2O2,SOFTNERS,WATER DISPERSANT
244 S	10132	WHEATLAND TUBE CO	STEEL TUBING MANUFACTURING	ZINC/PAINT COATED STEEL TUBE	DYES,NAOH
245 S	10769	WRIGLEY MANUFACTURING COMPANY,	FOOD-CONFECTIONARY MFG	CHEWING GUM	COILED STEEL,ALUMINUM,ZINC,PAINT
246 S	11701	YALE POLISHERS & PLATERS INC	METAL POLISHING & ELECTROPLATING	JOB SHOP	TIN, NI, CHROME ANODES, ACIDS, SODA ASH, CYANIDE,T
247 S	11938	ZENITH FABRICATING CO	METAL FABRICATING	METAL BOXES AND CABINETS, LAB OVEN	STEEL, ACID PHOSPHATE SOLUTION

Flow Type: R=Regulated Process; U=Unregulated Process; D=Dilutional/Non-process
 Process Type: C=Continuous; B=Batch

F.6.a.	WWTP	Facility ID	Industry Name	SIU	CFR	Sample Point	Flow Type	Process Type	Discharge Component	Average GPD/ Batch Max	Total Process (R+U) Wastewater GPD
S		25978	A PERFECTA METAL FINISHING COMPANY INC	Y	433 1A	R	C	METAL FINISHING		10,500	
S		10002	AALLIED DIE CASTING CO	Y	464 3A	R	C	MOLD COOLING, DIE CASTING, MIS		7,600	
S		24781	ABLE ELECTROPOLISHING CO	Y	433 1A	R	C	ELECTROPOLISHING/PASSIVATING		56,000	
S		25290	ABOVE & BEYOND BLACK OXIDE INC	Y	433 1A	R	C	BLACK OXIDE METAL FINISHING		4,400	
S		13583	ACCENT METAL FINISHING CO	Y	413 1A	R	C	ELECTROPLATING		5,650	
S		13583	ACCENT METAL FINISHING CO	Y	413 1A	U	C	VIBRATORY DEBURRING		50	5,700
S		11340	ACCURATE ANODIZING	Y	413 1A	R	C	ELECTROPLATING/ANODIZING		13,200	
S		11166	ACE ANODIZING & IMPREGNATING INC	Y	413 1A	R	C	ANODIZING		55,145	
S		11166	ACE ANODIZING & IMPREGNATING INC	Y	413 1A	U	C	SEALING		5	55,150
S		11047	ADVANCE ENAMELING CO	Y	413 2A	R	B	PHOSPHATING		2,800	
S		25666	AKZO NOBEL SURFACE CHEMISTRY LLC	Y	414 2A	R	C	ORGANIC CHEMICALS MFG		232,000	
S		25666	AKZO NOBEL SURFACE CHEMISTRY LLC	Y	414 2A	U	C	BLENDING		2,000	234,000
S		12749	ALANSON MFG CO	Y	433 1A	R	C	ZN ELECTROPLATING		2,815	
S		11184	ALBERTO CULVER	Y	463 6A	U	C	PROCESS		50,000	
S		26150	ALL-BRITE ANODIZING COMPANY	Y	433 2A	R	C	ANODIZING/CHROMATING		14,700	
S		25867	ALSCO-AMERICAN LINEN DIVISION	Y	1A	U	C	LAUNDRY WASHWATER/SOFTENER		195,900	
S		25497	AMERICAN BOTTLING	Y	3A	U	C	MEAT PROCESSING / SANITATION		240,000	
S		25497	AMERICAN BOTTLING	Y	4A	U	C	CAN/BOTTLE RINSE		285,000	525,000
S		26135	AMERICAN MIDWEST CHROME PLATING & POLISH	Y	413 1A	R	C	ELECTROPLATING, FACILITY WASH		2,360	
S		13351	AMERICAN NAMEPLATE CO	Y	433 1A	R	C	METAL FINISHING		13,200	
S		13207	AMERICAN NICKEL WORKS, INC	Y	413 2A	R	C	ELECTROPLATING		18,475	
S		25443	AMERICAN PHARMACEUTICAL	Y	439 2A	R	C	MIXING TANKS, WASHDOWN		167,050	
S		25577	AMERICAN PLATING & MANUFACTURING	Y	433 1A	R	C	PLATING, TUMBLING		25,000	
S		24468	AMERICAN STANDARD CIRCUITS INC	Y	433 1A	R	C	CIRCUIT BOARD MFG.		101,910	
S		25846	AMERICAN/JEBCO CORPORATION	Y	433 2A	R	C	METAL FINISHING		15,000	
S		13090	ANCHOR METAL FINISHING COMPANY	Y	433 1C	R	C	ALKALINE CLEANER RINSE		500	
S		13090	ANCHOR METAL FINISHING COMPANY	Y	433 2A	R	C	BLACK OXIDE		20,000	20,500
S		14454	ANGELICA TEXTILE SVCS	Y	2A	U	C	LAUNDRY WASEWATER		137,614	
S		25805	ANTHONY MARANO COMPANY	Y	1A	U	C	PRODUCE & FACILITY WASH		38,398	
S		25954	ARAMARK Uniform and Career Apparel, Inc.	Y	1A	U	C	LAUNDRY WASTEWATER		163,800	
S		14734	ASPEN FOODS DIVISION OF KOCH FOODS, INC	Y	1A	U	C	FACILITY CLEANUP		33,305	
S		12961	AVIS COMMERCIAL ANODIZING	Y	413 1A	R	C	ANODIZING		22,300	
S		12302	AZTECA FOODS INC	Y	2A	U	C	PROCESS, NCCW, SANITARY		52,000	
S		12831	B & T POLISHING INC	Y	433 2A	R	B	ELECTROPLATING		14,500	
S		12823	BARNES PLATING CORP	Y	413 1A	R	C	ELECTROPLATING		3,700	
S		15872	BEAVER OIL CO INC	Y	437 3A	R	C	CENTRALIZED WASTE TREATMENT		102,600	
S		13254	BELWOOD INDUSTRIAL INC	Y	413 2A	R	C	ELECTROPLATING		7,200	
S		11138	BELMONT PLATING WORKS, INC	Y	433 2A	R	C	ELECTROPLATING/METAL FINISHING		127,100	
S		26039	BERKSHIRE d/b/a CHICAGO EXTRUDED METALS	Y	468 1A	R	B	CASTING, ANNEALING/PICKLING		3,500	
S		25557	Bio Star Films, L.L.C.	Y	463 1A	R	B	PLASTIC MOLDING EGMT WASH		10	
S		11892	BOBCO ENTERPRISES INC	Y	413 2A	R	C	PRINTED CIRCUIT BOARD MFG		30,400	
S		10311	BORG WARNER AUTOMOTIVE	Y	433 1A	R	C	ETCH/WASH/BURNISH/GRINDERS		27,500	
S		10311	BORG WARNER AUTOMOTIVE	Y	433 1A	U	C	SCRUBERS/NCC/BLOWDOWN/WASH		49,340	70,840
S		11260	Bretford Manufacturing, Inc.	Y	433 1A	R	C	METAL FINISHING (PHOSPHATING)		66,250	
S		11898	Bretford Manufacturing, Inc.	Y	433 1A	R	C	METAL FINISHING- PHOSPHATING		25,000	
S		10314	BREUER ELECTRIC MFG CO	Y	433 2A	R	B	METAL FINISHING		2,400	
S		13586	BRIDGFORD FOODS	Y	1A	U	C	PRODUCT WASH & THAW / WASHDOWN		57,100	
S		13586	BRIDGFORD FOODS	Y	2A	U	C	PRODUCT & FACILITY WASH		26,800	83,900
S		11807	CALCO PLATING, INC.	Y	413 3A	R	C	ELECTROPLATING		7,565	
S		11196	CAPITOL WHOLESALE MEATS	Y	1A	U	C	EQUIPMENT/FACILITY WASHDOWN		89,250	
S		11576	CASTLE METAL FINISHING CORP	Y	413 1A	R	C	ELECTROPLATING		73,000	

NPDES Permit Renewal
 Flow Type: R=Regulated Process; U=Unregulated Process; D=Dilutitional/Non-process
 Process Type: C=Continuous; B=Batch

WWTP/Facility ID	Industry Name	SIU	CFR	Sample Point	Flow Type	Process Type	Discharge Component	Average GPD/ Batch Max	Total Process (R+U) Wastewater GPD
S 10001	CBSL Transportation Services, Inc.	Y	442 1A	R	C	TRANSPORTATION EQUIPMENT WASH	23,000		
S 24016	CHEF SOLUTIONS, INC	Y	1A	U	C	EQUIPMENT/FACILITY WASHDOWN	35,225		
S 26254	Chicago American Manufacturing, LLC	Y	433 1A	R	C	PHOSPHATING	17,000		
S 11084	CHICAGO ANODIZING CO	Y	433 2A	R	C	ANODIZING/DYEING (EP, MF W CN)	86,400		
S 13268	CHICAGO CASTINGS COMPANY, LLC	Y	464 1C	R	B	CASTING QUENCH	35,000		
S 10347	CHICAGO HARDWARE & FIXTURE	Y	433 1A	R	C	METAL FINISHING	15,450		
S 24522	CHICAGO HOSPITALITY DIV. OF TYSON FOODS	Y	1A	U	C	FOOD PROCESSING/WASHDOWN	347,500		
S 25861	CHICAGO POWDERED METAL PRODUCTS COMPANY	Y	433 1A	R	C	TUMBLING	8,800		
S 11256	CHICAGO-ALLIS MANUFACTURING COMPANY	Y	433 1A	R	C	PHOSPHATING	5,760		
S 13354	CHILO MANUFACTURING & PLATING CO, INC	Y	433 1C	R	B	METAL FINISHING(Brass Cyanide)	500		
S 13354	CHILO MANUFACTURING & PLATING CO, INC	Y	433 2A	R	C	METAL FINISHING	13,800	14,300	
S 25818	CHLO MANUFACTURING & PLATING CO, INC	Y	463 1A	R	C	STEAM STERILIZER, HYDRATION SO	14,500		
S 25818	CIBA VISION CORPORATION	Y	463 1A	U	C	PROCESS	56,500		
S 25818	CIBA VISION CORPORATION	Y	463 4A	U	C	LAB CLEANING WATER SOFTENER	4,500	75,500	
S 15985	CINTAS CORPORATION	Y	1A	U	C	LAUNDRY WASHWATER	116,700		
S 26070	Cintas Corporation	Y	1A	U	C	LAUNDRY, TRUCK WASHWATER	101,750		
S 13787	CITY OF CHICAGO-JARDINE WATER FILT PLNT	Y	1A	U	B	SLUDGE LINE	1,510,000		
S 13958	CITY OF CHICAGO-SO WTR PURIFICATION PLT	Y	1A	U	B	BASIN DESSEDIMENTATION	720,000		
S 13958	CITY OF CHICAGO-SO WTR PURIFICATION PLT	Y	3A	U	B	BASIN DESSEDIMENTATION	720,000	144,000	
S 10279	CLAD-REX, INC.	Y	463 2A	R	C	LAMINATING	21,700		
S 12340	CODY METAL FINISHING INC	Y	433 3A	R	C	METAL FINISHING/ELECTROPLATING	16,800		
S 25417	CORN PRODUCTS INTERNATIONAL, INC. ARGO	Y	2A	U	C	WET STARCH & FINISHING PROCESS	12,300,000		
S 25417	CORN PRODUCTS INTERNATIONAL, INC. ARGO	Y	6A	U	C	GERM PROCESSING	300,000	12,600,000	
S 17261	DANA CONTAINER INC	Y	442 2A	R	C	MOBIL EQUIPMENT WASH WATER	15,030		
S 13477	DELAVAL MANUFACTURING	Y	2A	U	C	WASH WATER, LAB, SOFTNER	55,000		
S 13681	DEN-FRANCO CORPORATION	Y	1A	U	C	FACILITY WASHDOWN	30,500		
S 15912	DENORMANDIE TOWEL & LINEN, INC.	Y	1A	U	C	LAUNDRY WASH/RINSE	117,331		
S 13770	DES PLAINES LANDFILL	Y	2A	U	C	LEACHATE	216,000		
S 14655	DOMINICK'S FINER FOODS, INC	Y	4A	U	C	COMMISSARY FOOD PREPARATION	165,800		
S 14650	DOWNEY COMPANY, B L, INC.	Y	433 1A	R	C	PHOSPHATING & CLEANING	40,800		
S 14650	DOWNEY COMPANY, B L, INC.	Y	433 4A	R	C	ELECTROCOAT PROCESS	43,200	84,000	
S 12058	DYNA-BURR CHICAGO, INC.	Y	413 1A	R	C	ELECTROPLATING RINSES	29,300		
S 26233	Ebro Foods	Y	1A	U	C	PROCESS & WASHDOWN	63,915		
S 11406	EDSAL MANUFACTURING COMPANY, INC	Y	433 1A	R	C	PROCESS WASTEWATER	74,000		
S 24378	EDSAL MANUFACTURING COMPANY, INC	Y	433 1A	R	C	PHOSPHATING	4,400		
S 14249	EL MILAGRO, INC	Y	2A	U	C	FOOD PROCESSING AND FACILITY WASHDOWN	74,500		
S 26088	El Milagro, Inc. - Plant No. 4	Y	1A	U	C	Cooking, Soaking, Washdown	23,900		
S 10126	Electric Coating Technologies, LLC	Y	433 1A	R	C	PLATING RINSES, AIR SCRUBBER	5,000		
S 13393	Electro-Motive Diesel, Inc.	Y	433 1A	R	C	METAL FINISHING	82,700		
S 13393	Electro-Motive Diesel, Inc.	Y	433 1A	U	C	MAINTENANCE WASHDOWN	15,300		
S 13393	Electro-Motive Diesel, Inc.	Y	433 1C	U	C	MAINTENANCE WASHDOWN	15,300		
S 12222	ELECTRONIC PLATING COMPANY	Y	433 2C	R	B	COPPER AND BRASS PLATING	350	113,300	
S 12222	ELECTRONIC PLATING COMPANY	Y	433 2C	R	B	METAL FINISHING	75,840		
S 15609	ELGIN DAIRY FOODS, INC	Y	433 3A	R	C	EQUIPMENT WASHDOWN	96,000		
S 10425	ELKAY MANUFACTURING COMPANY	Y	2A	U	C	ALKALINE WASH PROCESS	75,000		
S 11977	EMPIRE HARD CHROME	Y	433 1A	R	C	CHROMIUM ELECTROPLATING	88,000		
S 25146	EMPIRE HARD CHROME PLANT 2	Y	433 2A	R	C	PROCESS RINSES	22,550		
S 15546	EN-CHRO PLATING, LTD	Y	433 1A	R	C	ELECTROLESS NICKEL PLATING	7,600		
S 10204	ESTER SOLUTIONS COMPANY	Y	414 1A	R	C	ESTER MANUFACTURING	42,500		
S 11126	EVANS FOOD PRODUCTS	Y	1A	U	C	EQUIPMENT & FACILITY WASHDOWN	26,000		

NPDES Permit Renewal
 Flow Type: R=Regulated Process; U=Unregulated Process; D=Dilutional/Non-process
 Process Type: C=Continuous; B=Batch

6.a.	WWTP	Facility ID	Industry Name	SIU	CFR	Sample Point	Flow Type	Process Type	Discharge Component	Average GPD/ Batch Max	Total Process (R+U) Wastewater GPD
	S	25365	EX-CELL METAL PRODUCTS	Y	433 1A	R	C	PHOSPHATING		12,300	
	S	26117	EXPERT METAL FINISHING, INC.	Y	433 1A	R	C	BLACK OXIDE PROCESS		20,000	
	S	25813	FARLEY'S & SATHERS CANDY COMPANY	Y	1A	U	C	PROCESS, WASHDOWN		62,700	
	S	12240	FERRARA PAN CANDY CO	Y	1A	U	C	PROCESS, WASHDOWN		12,995	
	S	12240	FERRARA PAN CANDY CO	Y	3A	U	C	PROCESS, WASHDOWN		79,960	
	S	12240	FERRARA PAN CANDY CO	Y	4A	U	C	PROCESS, WASHDOWN		36,980	
	S	12240	FERRARA PAN CANDY CO	Y	5A	U	C	PROCESS AND WASHDOWN		12,995	142,930
	S	25815	Fitrona Extrusion, Inc.	Y	463 1A	R	C	CONTACT COOLING WATER		19,000	
	S	24826	FINISHING COMPANY, INC	Y	433 2A	R	C	PHOSPHATING		19,500	
	S	11855	Finishing Company, Inc. (The)	Y	433 2A	R	C	ELECTROPLATING/METAL FINISHING		39,000	
	S	11855	Finishing Company, Inc. (The)	Y	433 2A	R	C	LABORATORY		100	
	S	11855	Finishing Company, Inc. (The)	Y	413 2A	U	C	LABORATORY		100	39,200
	S	25554	FOCAL POINT LLC	Y	1A	U	C	LAUNDRY		161,400	
	S	14279	FOODLINER, INC	Y	433 1A	R	C	IRON PHOSPHATE PROCESS		25,000	
	S	11905	FOREST PLATING CO	Y	1A	U	C	TANK WASH, FACILITY WASHDOWN		46,240	
	S	10439	FRAMBURG & COMPANY	Y	413 2A	R	C	ELECTROPLATING		9,180	
	S	24639	FRESH EXPRESS-ADDISON	Y	433 1A	R	C	METAL FINISHING		15,600	
	S	24639	FRESH EXPRESS-ADDISON	Y	1A	U	C	FACILITY & EQUIPMENT WASHDOWN		68,000	
	S	25760	FRESH EXPRESS-EDGINGTON	Y	1A	U	C	VEGETABLE WASHING & PROCESSING		54,000	122,000
	S	24111	FRESH EXPRESS-NEVADA	Y	2A	U	C	PASTEURIZING/FACILITY WASHDOWN		129,600	
	S	26315	Fuel Systems, Inc.	Y	1A	U	C	VEGETABLE PROCESSING		348,000	
	S	26315	Fuel Systems, Inc.	Y	433 1A	R	C	Phosphating		8,000	
	S	21831	G & K SERVICES	Y	433 1A	U	C	Leak-Test Immersion Water		1,000	9,000
	S	25694	GATE GOURMET NARROW BODY KITCHEN #240	Y	1A	U	C	WASH, RINSE, BACKWASH, APCU		122,000	
	S	25695	GATE GOURMET UNIT 239	Y	1A	U	C	FOOD WASTE/WASHDOWN		77,000	
	S	12719	GATTO INDUSTRIAL PLATERS, INC.	Y	1A	U	C	FOOD PREPARATION, WASHDOWN, ROTOCLOAVE		63,700	
	S	12197	GEO-RAE CORPORATION	Y	433 1C	R	B	FOOD PREPARATION		121,800	
	S	25657	GRACE DAVISON	Y	415 1A	U	C	ELECTROPLATING		3,200	
	S	23696	GREENLEE DIAMOND TOOL CO	Y	433 1C	R	B	PHOSPHATING		1,217,200	
	S	11724	Griffin Plating Co., Inc.	Y	413 2A	R	C	BACKWASH, PROCESS, WASHDOWN		1,500	
	S	13021	Griffith Laboratories U.S.A., Inc.	Y	1A	U	C	ELECTROPLATING		6,000	
	S	11837	GUTMANN LEATHER LLC	Y	425 2A	R	C	PROCESS/WASHDOWN/SCRUBBER		99,600	
	S	10471	HANDY KENLIN GROUP	Y	433 1A	R	C	CHROME LEATHER TANNING		195,300	
	S	25136	HINCKLEY SPRINGS	Y	3A	U	C	METAL FINISHING		17,000	
	S	25137	HINCKLEY SPRINGS	Y	3A	U	C	FILTER BACKWASH, BOTTLE WASH		106,200	
	S	25612	HI-TEMP HEAT TREATING, INC.	Y	433 1A	R	C	PROCESS		58,810	
	S	25612	HI-TEMP HEAT TREATING, INC.	Y	433 1A	R	C	METAL FINISH. & ELECTROPLATING		32,100	
	S	25612	HI-TEMP HEAT TREATING, INC.	Y	413 1A	U	C	HEAT TREATMENT		2,000	
	S	25612	HI-TEMP HEAT TREATING, INC.	Y	413 1A	U	C	HEAT TREATMENT		2,000	
	S	25612	HI-TEMP HEAT TREATING, INC.	Y	433 2A	R	C	METAL FINISHING		4,300	40,400
	S	25341	Hop Kee Inc d/b/a Oriental Delicacies Inc. Hong Kong Market	Y	2A	U	C	GROWING/WASHING/PACKAGING		82,450	
	S	10487	HORWEEN LEATHER CO	Y	425 1A	R	C	LEATHER TANNING		475,000	
	S	10487	HORWEEN LEATHER CO	Y	425 2A	R	C	LEATHER TANNING		475,000	950,000
	S	10050	ICI UNIQEMA INC	Y	1A	U	C	OLEOCHEMICAL MFG OPERATIONS		546,586	
	S	13717	Imperial Plating Company, Inc.	Y	433 1A	R	C	METAL FINISHING		44,700	
	S	13717	Imperial Plating Company, Inc.	Y	433 2C	R	C	CYANIDE BEARING WASTESTREAM		1,900	46,600
	S	26285	IMS Engineered Products LLC	Y	433 1A	R	B	METAL FINISHING (PHOSPHATING)		13,955	
	S	26285	IMS Engineered Products LLC	Y	433 1A	R	C	METAL FINISHING (OVERFLOW)		5,145	18,500
	S	12978	INPLEX LLC	Y	463 2A	R	C	CONTACT COOLING WATER		30,000	
	S	10509	INTERNATIONAL TRUCK AND ENGINE CORP.	Y	1A	U	C	DIESEL ENGINE MFG/TESTING		44,000	

NPDES Permit Renewal

Flow Type: R=Regulated Process; U=Unregulated Process; D=Dilutonal/Non-process

Process Type: C=Continuous; B=Batch

STICKNEY F.6.

WWTP	Facility ID	Industry Name	SIU	CFR	Sample Point	Flow Type	Process Type	Discharge Component	Average GPD/ Batch Max	Total Process (R+U) Wastewater GPD
S	25090	INTERSTATE BRANDS CORPORATION	Y		1A	U	C	FACILITY WASHDOWN AND CLEANUP	34,500	
S	12424	J L O Metal Products, Inc.	Y	433 2A	2A	R	C	ETCHING PROCESS	53,753	
S	26286	Jernberg Industries, Inc.	Y	3A	3A	U	C	CONTACT COOLING WATER	103,000	
S	10518	JEWEL FOOD STORES	Y	1A	1A	U	C	DISHWASHER WASHDOWN	110,000	
S	10518	JEWEL FOOD STORES	Y	3A	3A	U	C	WASHDOWN	7,000	117,000
S	13724	JONAS ENTERPRISES INC	Y	413 1C	1C	R	B	CHROME PLATING	400	
S	13590	KAC HOLDINGS, INC.	Y	471 1C	1C	R	B	NONFERROUS METALS FORMING	300	
S	25810	Keebler Company	Y	1A	1A	U	C	EQUIPMENT/FACILITY WASHDOWN	89,200	
S	11133	Kerry Sweet Ingredients	Y	2A	2A	U	C	EQUIPMENT & FACILITY WASHDOWN	57,000	
S	24910	KILOBAR COMPACTING CORP	Y	471 2A	2A	R	B	PROCESS WASTEWATER	150	
S	25773	KINDER MORGAN LIQUIDS TERMINALS, LLC-ARGO	Y	2A	2A	U	B	STORMWATER, HYDRO-TEST WATER	146,392	
S	25773	KINDER MORGAN LIQUIDS TERMINALS, LLC-ARGO	Y	3A	3A	U	B	STORMWATER, HYDRO-TEST WATER	146,392	
S	25773	KINDER MORGAN LIQUIDS TERMINALS, LLC-ARGO	Y	4A	4A	U	B	STORMWATER, HYDRO-TEST WATER	146,392	
S	25773	KINDER MORGAN LIQUIDS TERMINALS, LLC-ARGO	Y	5A	5A	U	B	STORMWATER, HYDRO-TEST WATER	146,392	
S	25773	KINDER MORGAN LIQUIDS TERMINALS, LLC-ARGO	Y	8A	8A	U	B	STORMWATER, HYDRO-TEST WATER	146,392	
S	25773	KINDER MORGAN LIQUIDS TERMINALS, LLC-ARGO	Y	9A	9A	U	B	STORMWATER, HYDRO-TEST WATER	146,392	878,352
S	10157	KOPPERS INCORPORATED	Y	414 1A	1A	R	C	TAR/POLYESTER/PHTHALANHYDRIDE	368,700	
S	25811	Kraft Foods Global, Inc.-Nabisco Biscuit Division	Y	1A	1A	U	C	BAKERY PRODUCTS MANUFACTURING	88,000	
S	25811	Kraft Foods Global, Inc.-Nabisco Biscuit Division	Y	2A	2A	U	C	BAKERY PRODUCTS MANUFACTURING	23,700	111,700
S	11882	KREL LABORATORIES INC	Y	413 2A	2A	R	C	ELECTROPLATING	45,100	
S	11883	KREL LABORATORIES INC	Y	413 3A	3A	R	C	ELECTROLESS NICKEL PLATING	27,600	
S	13793	KRONOS PRODUCTS, INC	Y	1A	1A	U	C	EQUIPMENT/FACILITY WASHDOWN	60,700	
S	10885	LAKEMOOD ENGINEERING & MFG	Y	433 1A	1A	R	C	PHOSPHATING	6,900	
S	10885	LAKEMOOD ENGINEERING & MFG	Y	433 1A	1A	U	C	WELDERS COOLING WATER	31,500	38,400
S	26262	Lemon Scents	Y	1A	1A	U	C	Laundry Waste	90,000	
S	13489	Lifoam Industries, LLC	Y	463 2A	2A	R	C	CONTACT COOLING WATER	6,000	
S	13489	Lifoam Industries, LLC	Y	463 3A	3A	U	B	EQUIPMENT WASHDOWN	100	6,100
S	11713	LOGAN ELECTRIC SPECIALTY MFG CO	Y	433 1A	1A	R	B	Phosphating rinse/spray booth	4,700	
S	10522	MacLean Power Joslyn	Y	433 1A	1A	R	C	COPPER FLASH	7,000	
S	10103	MASTERFOODS USA, A DIVISION OF MARS INC	Y	4A	4A	U	C	PROCESS, FACILITY WASHDOWN	188,100	
S	25768	MECALUX ILLINOIS INC	Y	433 1A	1A	R	C	METAL FINISHING RINSES	8,700	
S	25768	MECALUX ILLINOIS INC	Y	433 1A	1A	U	C	REVERSE OSMOSIS CONCENTRATE	900	9,600
S	11064	Mech-Tronics	Y	413 2A	2A	R	C	PHOTO-CHEMICAL ETCHING	3,700	
S	11064	Mech-Tronics	Y	413 3A	3A	R	C	IRIDITING	23,200	26,900
S	25836	Mech-Tronics Corporation	Y	433 2A	2A	R	C	METAL FINISHING	7,000	
S	24882	METAL BOX INTERNATIONAL, INC.	Y	433 1A	1A	R	C	PHOSPHATE WASH	12,000	
S	24771	METAL-MATIC INC	Y	420 1A	1A	R	C	ALKALINE CLEANING	4,400	
S	24771	METAL-MATIC INC	Y	420 1A	1A	U	C	FLOOR CLEANING	100	4,500
S	12951	MIDWEST METAL FINISHING	Y	413 2A	2A	R	B	ELECTROPLATING	6,900	
S	13289	MIKE'S ANODIZING	Y	413 2A	2A	R	C	ANODIZING	23,800	
S	25498	MONTANA METAL PRODUCTS	Y	433 1A	1A	R	C	ETCHING/CHROMATING/DEBURRING	3,600	
S	25991	MORGAN SERVICES, INC	Y	1A	1A	U	C	LAUNDRY WASTEWATER	57,800	
S	14095	MULLINS FOOD PRODS/PACKAGING SER	Y	1A	1A	U	C	EQUIPMENT/FACILITY WASHDOWN	106,900	
S	10593	NALCO COMPANY	Y	455 1A	1A	U	C	NON-REGULATED PROCESSES	613,400	
S	15958	NATIONAL CONTAINER SERVICES	Y	1A	1A	U	C	DRUM RECONDITIONING	43,000	
S	15940	National Railroad Passenger Corporation	Y	1A	1A	U	C	PROCESS	2,900	
S	15940	National Railroad Passenger Corporation	Y	2A	2A	U	C	PROCESS	3,400	
S	15940	National Railroad Passenger Corporation	Y	3A	3A	U	C	PROCESS	89,100	
S	15940	National Railroad Passenger Corporation	Y	4A	4A	U	C	PROCESS	5,200	100,600
S	10698	NESTLE CHOCOLATE & CONFECTIONS	Y	1A	1A	U	C	CONFECTIONARY PRODUCTS MFG	272,738	

NPDES Permit Renewal
 Flow Type: R=Regulated Process; U=Unregulated Process; D=Dilutional/Non-process
 Process Type: C=Continuous; B=Batch

WWTP	Facility ID	Industry Name	SIU	CFR	Sample Point	Flow Type	Process Type	Discharge Component	Average GPD/ Batch Max	Total Process (R+U) Wastewater GPD
S	21811	NEW METAL CRAFTS INC	Y	433 1A	R	B	METAL FINISHING	360	360	
S	21811	NEW METAL CRAFTS INC	Y	433 1C	R	B	CYANIDE BEARING WASTEWATER	120	120	
S	21811	NEW METAL CRAFTS INC	Y	433 2A	U	C	GLASS/PARTS WASHING	6,300	6,300	
S	21811	NEW METAL CRAFTS INC	Y	433 2C	R	B	NONCYANIDE BEARING WASTEWATER	240	7,020	
S	21811	NEW METAL CRAFTS INC	Y	433 1A	R	C	METAL FINISHING	7,300	7,300	
S	25910	NICKEL COMPOSITE COATINGS, INC.	Y	433 1A	R	C	PHOSPHATE WASHER	1,900	1,900	
S	10987	NINA ENTERPRISES, INC	Y	433 2A	R	C	METAL FINISHING/ELECTROPLATING	63,900	63,900	
S	19614	NOBERT PLATING CO-PLANT 1	Y	433 1A	R	C	ELECTROPLATING	18,400	18,400	
S	12622	NOBERT PLATING CO-PLANT 2	Y	413 1A	R	C	ELECTROPLATING	20,200	20,200	
S	12622	NOBERT PLATING CO-PLANT 2	Y	433 2A	R	C	METAL FINISHING	26,500	26,500	
S	25686	Northstar Aerospace (Chicago), Inc.	Y	433 1A	R	B	CLEANER/PHOSPHATING RINSES	500	500	
S	24696	NU-WAY INDUSTRIES, INC	Y	433 1A	R	C	STAINLESS STEEL SOAP WASH	32,000	59,000	
S	24696	NU-WAY INDUSTRIES, INC	Y	433 1A	R	C	IRRIDATING RINSES	94,900	94,900	
S	24696	NU-WAY INDUSTRIES, INC	Y	433 2A	R	C	ACID PICKLING	85,500	180,400	
S	10766	O & K American Corporation	Y	420 1A	R	C	PHOSPHATING	40,000	40,000	
S	10766	O & K American Corporation	Y	1A	U	C	EQUIPMENT/FACILITY WASHDOWN	3,000	3,000	
S	14044	Olmarc Packaging Company	Y	3A	U	C	TEST KITCHEN WASHDOWN	20,000	20,000	
S	14044	Olmarc Packaging Company	Y	4A	U	C	EQUIPMENT/FACILITY WASHDOWN	42,400	42,400	
S	14044	Olmarc Packaging Company	Y	1A	U	C	FOOD PROCESSING/WASHDOWN	24,000	24,000	
S	11716	ON-COR FROZEN FOODS INC	Y	437 1A	R	C	PROCESS FLOW	252,000	252,000	
S	25248	ORTEK INC.	Y	4A	U	C	FOOD PROCESSING	32,900	32,900	
S	24078	OSI INDUSTRIES, INC	Y	5A	U	C	CCW/WASHDOWN/HYDRO-TEST	78,965	78,965	
S	10219	OWENS CORNING SUMMIT ROOFING	Y	1A	U	C	MEAT PROCESSING	42,900	42,900	
S	10316	PEER FOODS GROUP, INC	Y	414 1A	R	C	ORGANIC CHEMICAL MANUFACTURING	21,000	21,000	
S	10888	PELRON CORP	Y	433 1A	R	B	METAL FINISHING (PHOSPHATING)	6,400	6,400	
S	25597	PENTAIR ELECTRONIC PACKAGING COMPANY	Y	433 1A	U	C	RACK WASHDOWN/WATER JET	96,000	96,000	
S	25597	PENTAIR ELECTRONIC PACKAGING COMPANY	Y	433 1A	U	C	BEVERAGE BOTTLING	86,000	86,000	
S	10453	PEPSI AMERICAS	Y	2A	U	C	BEVERAGE BOTTLING	95,000	277,000	
S	10453	PEPSI AMERICAS	Y	3A	U	C	BEVERAGE BOTTLING	140,000	140,000	
S	10453	PEPSI AMERICAS	Y	413 2A	R	C	ANODIZING	100	100	
S	11920	PETERSEN FINISHING CORP	Y	413 2A	U	B	DI REGENERATION	16,756	16,756	
S	11920	PETERSEN FINISHING CORP	Y	413 1A	U	C	ELECTROPLATING	1,000	1,000	
S	13153	PIONEER PLATING CO INC	Y	433 1A	R	C	METAL FINISHING	29,000	29,000	
S	23958	PORTER ATHLETIC EQUIPMENT COMPANY	Y	413 1A	R	C	ELECTROPLATING	8,500	8,500	
S	13721	PRECISE FINISHING COMPANY, INC	Y	433 1A	R	C	METAL FINISHING	1,600	1,600	
S	10635	PRECISION INSTRUMENTS INC	Y	433 2A	R	C	PHOSPHATING/DEBURRING	14,500	14,500	
S	21463	PRO-TEC METAL FINISHING CORP	Y	433 1A	R	C	PRINTED CIRCUIT BOARD MFG	5,800	5,800	
S	25324	PULSAR, INC	Y	433 1A	R	C	METAL FINISHING	13,100	13,100	
S	13277	Q.C. Finishers, Inc.	Y	433 1A	R	C	PHOSPHATING/DEBURRING	5,900	5,900	
S	10639	QUAM NICHOLS CO	Y	433 2A	R	C	PHOSPHATING	6,600	6,600	
S	10639	QUAM NICHOLS CO	Y	433 1A	R	C	PHOSPHATING RINSES	1,900	1,900	
S	25523	R & B POWDER COATINGS	Y	433 2A	R	C	METAL FINISHING	23,450	23,450	
S	15043	R & R RESEARCH d/b/a E J SOMERVILLE CO	Y	413 1A	R	C	ELECTROPLATING	89,800	89,800	
S	13115	R C INDUSTRIES INC	Y	413 3A	R	C	ELECTROPLATING	123,000	123,000	
S	11241	RELIABLE PLATING CORP	Y	465 1A	R	C	WASTEWATER FROM CAN WASHER	8,000	8,000	
S	11136	REXAM BEVERAGE CAN COMPANY	Y	433 1A	R	C	METAL FINISHING	92,000	92,000	
S	13581	RIXSON-FIREMARK DIVISION	Y	3A	U	C	INDUSTRIAL LAUNDERING	312,100	312,100	
S	13839	ROSCOE CO	Y	1A	U	C	MEAT PROCESSING	5,100	5,100	
S	10651	ROSE PACKING CO, INC	Y	433 3A	R	B	CAUSTIC WASHER DISCHARGE			
S	15773	S & B FINISHING CO, INC	Y							

NPDES Permit Renewal
 Flow Type: R=Regulated Process; U=Unregulated Process; D=Dilutational/Non-process
 Process Type: C=Continuous; B=Batch

WWTP	Facility ID	Industry Name	SIU	CFR	Sample Point	Flow Type	Process Type	Discharge Component	Average GPD/ Batch Max	Total Process (R+U) Wastewater GPD
S	15773	S & B FINISHING CO, INC	Y	433 4A	R	B	CAUSTIC WASHER DISCHARGE	7,600	12,700	
S	25960	S B BORON CORP	Y	1A	U	B	WASTE TANK DISCHARGE	12,000		
S	13427	SAFETY-KLEEN SYSTEMS	Y	1A	U	C	TREATED STORM,WASH,NCCW,PROCES	169,000		
S	13427	SAFETY-KLEEN SYSTEMS	Y	4A	U	C	TREATED STORM,WASH,NCCW,PROCES	143,500	312,500	
S	11339	SAPORITO FINISHING COMPANY	Y	433 1A	R	C	ELECTROPLATING/METAL FINISHING	73,800	147,600	
S	11339	SAPORITO FINISHING COMPANY	Y	433 2A	R	C	ELECTROPLATING/METAL FINISHING	46,841		
S	13079	SARA LEE FOODS-CHICAGO FACILITY	Y	1A	U	C	BONING/PRE-BLEND/KOSHERING	57,404		
S	13079	SARA LEE FOODS-CHICAGO FACILITY	Y	2A	U	C	CURE/GRIND/COOLING/PACK/SMOKE	6,698	110,943	
S	13079	SARA LEE FOODS-CHICAGO FACILITY	Y	3A	U	C	FACILITY/EQUIPMENT WASHDOWN	160,000		
S	12988	SCIENTIFIC PLATING	Y	413 2A	R	C	ELECTROPLATING	125,000		
S	23995	SEXTON/CONGRESS DEVELOPMENT COMPANY	Y	1A	U	C	LANDFILL LEACHATE	1,000		
S	10679	SIGNODE CORPORATION	Y	465 1C	R	B	IRON PHOSPHATE COATING	3,318		
S	11951	SKILD PLATING CORP	Y	413 2A	R	C	ELECTROPLATING	82,244		
S	10683	SLOAN VALVE CO	Y	433 2A	R	C	METAL FINISHING	9,068	91,312	
S	10683	SLOAN VALVE CO	Y	433 2A	U	C	RESEARCH DIVISION	2,500		
S	10854	SOLO CUP OPERATING CORPORATION	Y	463 1A	U	C	EQUIPMENT/FACILITY WASHDOWN	15,500		
S	10854	SOLO CUP OPERATING CORPORATION	Y	463 2A	R	C	PLASTIC STRAW MANUFACTURING	3,000	21,000	
S	10854	SOLO CUP OPERATING CORPORATION	Y	463 2A	U	C	AIR SCRUBBER/WASHDOWN	4,020		
S	24585	SORINI RING MANUFACTURING CO INC	Y	433 1A	R	C	PARTS WASHER	4,020	8,040	
S	24585	SORINI RING MANUFACTURING CO INC	Y	433 1C	R	C	PARTS WASHER	62,000		
S	13729	SOUTH CHICAGO PACKING CO	Y	6A	U	C	CLEANING WATER	170,000		
S	13828	SPECIALTY FOOD GROUP (SFG)	Y	2A	U	C	FOOD PROCESSING, WASHDOWN	76,600		
S	11487	SPECIALTY PLATING CO	Y	413 3A	R	C	ELECTROPLATING	70,000		
S	26008	STAMPEDE MEAT, INC	Y	2A	U	C	Washdown	9,600		
S	25817	STEEL FABRICATING & FINISHING	Y	433 2A	R	B	PHOSPHATING RINSES	24,600		
S	24847	STERLING PLATING	Y	433 1A	R	C	METAL FINISHING	3,900	28,500	
S	24847	STERLING PLATING	Y	433 1C	R	C	CYANIDE BEARING STREAM	52,500		
S	15891	T A C INC	Y	442 1A	R	C	TANK TRAILER WASH	52,500	105,000	
S	15891	T A C INC	Y	442 2A	R	C	TANK TRAILER WASH	67,500		
S	23963	T A C INC	Y	1A	U	C	TANK WASH	67,500	135,000	
S	23963	T A C INC	Y	2A	U	C	TANK WASH	32,000		
S	24828	T A C INC	Y	442 9A	R	C	TANK TRAILER WASH	100		
S	23833	THEODORE MERWITZ TEXTILES, INC	Y	410 1A	R	C	DYE VATS AND CENTRIFUGES DISCH	1,957		
S	10134	THOMPSON STEEL CO	Y	420 1C	R	C	PRETREATMENT DISCHARGE	1,957		
S	10134	THOMPSON STEEL CO	Y	420 5A	R	C	PRETREATMENT DISCHARGE	170	4,084	
S	10134	THOMPSON STEEL CO	Y	420 5A	U	C	EQUIPMENT/FACILITY WASHDOWN	127,900		
S	10098	TOOTSIE ROLL IND INC	Y	1A	U	C	PROCESS	54,967		
S	11616	TRILLA STEEL DRUM CORP	Y	433 1A	R	C	PHOSPHATING/CLEANING	20,000		
S	26346	Trimax Building Products	Y	463 2A	R	C	Contact cooling water	20,000		
S	26346	Trimax Building Products	Y	463 2A	U	C	Plastic Pre-wash water	122,000		
S	26346	Trimax Building Products	Y	463 4A	R	C	Contact Cooling Water	168,000	330,000	
S	26346	Trimax Building Products	Y	463 7A	R	C	Contact Cooling Water	15,500		
S	10014	TRIPLE A SERVICES, INC	Y	1A	U	C	TRAY AND TRUCK WASH	6,200		
S	25719	TRI-POWDERCOATING INC	Y	433 2A	R	C	PHOSPHATING	50,375		
S	25479	TRU-VUE	Y	1A	U	C	ETCHING PROCESS/APCU	143,335	193,710	
S	25479	TRU-VUE	Y	3A	U	C	UV COATING/CLEARPACK/WASHDOWN	125,000		
S	13233	U S PLATING CO	Y	413 1A	R	C	ELECTROPLATING	60		
S	24397	U.S. Standard Sign	Y	433 1A	R	B	CLEANING/ALODINING RINSES	328,000		
S	24170	UNILEVER ILLINOIS MANUFACTURING LLC	Y	3A	U	C	CCW/CIP/WASHDOWN/AIR POL CNTRL	181,500		
S	11443	Unilever Supply Chain, Inc.	Y	4A	U	C	PROCESS; WASHDOWN			

NPDES Permit Renewal
 Flow Type: R=Regulated Process; U=Unregulated Process; D=Dilutifional/Non-process
 Process Type: C=Continuous; B=Batch

WWTP	Facility ID	Industry Name	SIU	CFR	Sample Point	Flow Type	Process Type	Discharge Component	Average Flow/ Batch Max	Total Non-Process (D) Wastewater GPD
S	11184	ALBERTO CULVER	Y	463 5A	D	C	SANITARY/NCCW	11,000	121,000	
S	11184	ALBERTO CULVER	Y	463 6A	D	C	SANITARY/NCCW/BOILER/COOLING	110,000		
S	26150	ALL-BRITE ANODIZING COMPANY	Y	433 2A	D	C	SANITARY/BOILER BLDN	300		
S	25867	ALSCO-AMERICAN LINEN DIVISION	Y	1A	D	C	BOILER BLOWDOWN	100		
S	25867	ALSCO-AMERICAN LINEN DIVISION	Y	1Z	D	C	SANITARY	2,500		
S	25867	ALSCO-AMERICAN LINEN DIVISION	Y	2A	D	C	SANITARY	500	3,100	
S	25497	AMERICAN BOTTLING	Y	3A	D	C	SANITARY/BLOWDOWN	15,000		
S	26135	AMERICAN MIDWEST CHROME PLATING & POLISH	Y	413 1Z	D	C	SANITARY	140		
S	13351	AMERICAN NAMEPLATE CO	Y	433 1A	D	C	NCCW	100		
S	13351	AMERICAN NAMEPLATE CO	Y	433 1Z	D	C	SANITARY	700	800	
S	13207	AMERICAN NICKEL WORKS, INC	Y	413 2A	D	C	SANITARY	525		
S	25443	AMERICAN PHARMACEUTICAL	Y	439 1A	D	C	BOILER BLOWDOWN	20,550		
S	25443	AMERICAN PHARMACEUTICAL	Y	439 2A	D	C	SANITARY	9,000		
S	25443	AMERICAN PHARMACEUTICAL	Y	439 3A	D	C	NON CONTACT COOLING WATER	2,400	31,950	
S	25577	AMERICAN PLATING & MANUFACTURING	Y	433 1Z	D	C	SANITARY	1,500		
S	24468	AMERICAN STANDARD CIRCUITS INC	Y	433 1A	D	C	SANITARY	3,750		
S	25846	AMERICAN/JEBCO CORPORATION	Y	433 1A	D	C	SANITARY, NCCW	40,000		
S	13090	ANCHOR METAL FINISHING COMPANY	Y	433 2A	D	C	SANITARY	580		
S	14454	ANGELICA TEXTILE SVCS	Y	1Z	D	C	BOILER BLOWDOWN, SANITARY	2,386		
S	25805	ANTHONY MARANO COMPANY	Y	1A	D	C	SANITARY, BOILER BLDN	10,072		
S	25954	ARAMARK Uniform and Career Apparel, Inc.	Y	1A	D	C	NCCW, BOILER BLOWDOWN	13,800		
S	25954	ARAMARK Uniform and Career Apparel, Inc.	Y	2A	D	C	SANITARY, NCCW, BOILER BLOWDOWN	4,400		
S	25954	ARAMARK Uniform and Career Apparel, Inc.	Y	3A	D	C	SANITARY	160	18,360	
S	14734	ASPEN FOODS DIVISION OF KOCH FOODS, INC	Y	1A	D	C	SANITARY/NCCW	12,465		
S	12961	AVIS COMMERCIAL ANODIZING	Y	413 1A	D	C	SANITARY	700		
S	12302	AZTECA FOODS INC	Y	1A	D	C	SANITARY	1,200		
S	12831	B & T POLISHING INC	Y	433 2A	D	C	SANITARY / NCCW / BOILER	1,250		
S	12831	B & T POLISHING INC	Y	433 2Z	D	C	SANITARY	250	1,500	
S	15872	BEAVER OIL CO INC	Y	437 3A	D	C	SANITARY/NCCW/BOILER BLOWDOWN	2,700		
S	13254	BELLWOOD INDUSTRIAL INC	Y	413 1Z	D	C	SANITARY	800		
S	11138	BELMONT PLATING WORKS, INC	Y	433 2A	D	C	SANITARY/BOILER BLOWDOWN	13,800		
S	26039	BERKSHIRE d/b/a CHICAGO EXTRUDED METALS	Y	468 1A	D	C	NCCW	12,000		
S	26039	BERKSHIRE d/b/a CHICAGO EXTRUDED METALS	Y	464 2A	D	C	NCCW	4,900		
S	26039	BERKSHIRE d/b/a CHICAGO EXTRUDED METALS	Y	464 2Z	D	C	SANITARY	100		
S	26039	BERKSHIRE d/b/a CHICAGO EXTRUDED METALS	Y	464 3A	D	C	SANITARY/NCCW	24,800		
S	26039	BERKSHIRE d/b/a CHICAGO EXTRUDED METALS	Y	468 3Z	D	C	SANITARY	200	42,000	
S	25557	Blo Star Films, L.L.C.	Y	463 1A	D	C	SANITARY	190		
S	25557	Blo Star Films, L.L.C.	Y	463 1Z	D	C	SANITARY	2,000		
S	25557	Blo Star Films, L.L.C.	Y	463 2A	D	C	NCCW	20,000	22,190	
S	11892	BOBCO ENTERPRISES INC	Y	413 1Z	D	C	SANITARY	1,080		
S	10311	BORG WARNER AUTOMOTIVE	Y	433 1A	D	C	SANITARY	12,817		
S	10311	BORG WARNER AUTOMOTIVE	Y	433 4A	D	C	SANITARY/NCCW	3,803		
S	10311	BORG WARNER AUTOMOTIVE	Y	433 5A	D	C	SANITARY	3,083		
S	10311	BORG WARNER AUTOMOTIVE	Y	433 6A	D	C	SANITARY	2,555		
S	10311	BORG WARNER AUTOMOTIVE	Y	433 7A	D	C	SANITARY	3,873	26,131	
S	11260	Bretford Manufacturing, Inc.	Y	433 1A	D	C	SANITARY/COOLING TOWER BLDN	4,750		
S	11260	Bretford Manufacturing, Inc.	Y	433 2A	D	C	SANITARY	1,172		
S	11898	Bretford Manufacturing, Inc.	Y	433 1A	D	C	SANITARY/NCCW	4,000	13,422	
S	10314	BREUER ELECTRIC MFG CO	Y	433 1Z	D	C	SANITARY	3,900		
S	13586	BRIDGFORD FOODS	Y	1Z	D	C	SANITARY	2,800		

NPDES Permit Renewal
 Flow Type: R=Regulated Process; U=Unregulated Process; D=Dilutinal/Non-process
 Process Type: C=Continuous; B=Batch

6.b.	WWTP	Facility ID	Industry Name	SIU	CFR	Sample Point	Flow Type	Process Type	Discharge Component	Average Flow/ Batch Max	Total Non-Process (D) Wastewater GPD
S	13681	DEN-FRANCO CORPORATION	Y	1A	D	C	BOILER/NONCONTACT COOLING	8,180	9,500		
S	13681	DEN-FRANCO CORPORATION	Y	1Z	D	C	SANITARY	1,320	200		
S	15912	DENORMANDIE TOWEL & LINEN, INC.	Y	1A	D	C	BOILER BLOWDOWN	3,000	4,300		
S	15912	DENORMANDIE TOWEL & LINEN, INC.	Y	1Z	D	C	SANITARY	14,000	14,200		
S	15912	DENORMANDIE TOWEL & LINEN, INC.	Y	2Z	D	C	SANITARY/NCCW	1,298	3,597		
S	14655	DOMINICK'S FINER FOODS, INC	Y	2A	D	C	TRUCK DOCKS- SANITARY	200	700		
S	14655	DOMINICK'S FINER FOODS, INC	Y	4A	D	C	SANITARY	1,299	16,275		
S	14650	DOWNNEY COMPANY, B L, INC.	Y	433 1Z	D	C	SANITARY	4,200	8,900		
S	14650	DOWNNEY COMPANY, B L, INC.	Y	433 2Z	D	C	SANITARY	4,700	70,600		
S	14650	DOWNNEY COMPANY, B L, INC.	Y	433 4A	D	C	SANITARY/BOILER BLOWDOWN	15,500	500		
S	12058	DYNA-BURR CHICAGO, INC.	Y	413 1A	D	C	SANITARY	100	600		
S	26233	Ebro Foods	Y	1A	D	C	BOILER BLOWDOWN, NCCW, SANITARY	1,101	282,000		
S	11406	EDSAL MANUFACTURING COMPANY, INC	Y	433 1Z	D	C	SANITARY	11,600	600		
S	11406	EDSAL MANUFACTURING COMPANY, INC	Y	433 2A	D	C	SANITARY	600	11,600		
S	24378	EDSAL MANUFACTURING COMPANY, INC	Y	433 1A	D	C	NONCONTACT COOLING, SANITARY	10,500	25,000		
S	14249	EL MILAGRO, INC	Y	2A	D	C	SANITARY AND NCCW	500	1,350		
S	26088	El Milagro, Inc. - Plant No. 4	Y	1A	D	C	Sanitary, Boiler blowdown	400	600		
S	26088	El Milagro, Inc. - Plant No. 4	Y	1Z	D	C	Sanitary	1,101	282,000		
S	10126	Electric Coating Technologies, LLC	Y	433 1A	D	C	NCCW/SANITARY/BOILER BLOWDOWN	11,600	600		
S	13393	Electro-Motive Diesel, Inc.	Y	433 1A	D	C	NONCONTACT COOLING, SANITARY	600	11,600		
S	12222	ELECTRONIC PLATING COMPANY	Y	433 3A	D	C	NCCW, BOILER, SANITARY	10,500	25,000		
S	15609	ELGIN DAIRY FOODS, INC	Y	1Z	D	C	SANITARY	500	1,350		
S	15609	ELGIN DAIRY FOODS, INC	Y	2A	D	C	BOILER BLOWDOWN, NCCW	400	600		
S	15609	ELGIN DAIRY FOODS, INC	Y	2Z	D	C	SANITARY	1,500	1,900		
S	10425	ELKAY MANUFACTURING COMPANY	Y	1A	D	C	SANITARY, BOILER, NCCW	7,000	5,000		
S	11977	EMPIRE HARD CHROME	Y	433 1A	D	C	SANITARY	1,000	2,000		
S	25146	EMPIRE HARD CHROME PLANT 2	Y	433 1Z	D	C	SANITARY	300	12,685		
S	25146	EMPIRE HARD CHROME PLANT 2	Y	433 2Z	D	C	SANITARY	10,400	27,030		
S	15546	EN-CHRO PLATING, LTD	Y	433 1A	D	C	NONCONTACT COOLING WATER	21,920	12,685		
S	15546	EN-CHRO PLATING, LTD	Y	433 1Z	D	C	SANITARY	3,300	1,000		
S	10204	ESTER SOLUTIONS COMPANY	Y	414 1A	D	C	NONCONTACT COOLING, SANITARY	5,000	2,000		
S	11126	EVANS FOOD PRODUCTS	Y	1A	D	C	SANITARY, BOILER BLOWDOWN	1,000	3,000		
S	25365	EX-CELL METAL PRODUCTS	Y	433 2A	D	C	SANITARY	1,000	2,000		
S	25365	EX-CELL METAL PRODUCTS	Y	433 3A	D	C	SANITARY	300	12,685		
S	26117	EXPERT METAL FINISHING, INC.	Y	433 1Z	D	C	SANITARY, CONDENSATE	10,400	27,030		
S	25813	FARLEY'S & SATHERS CANDY COMPANY	Y	1A	D	C	SANITARY, BLOWDOWN	21,920	12,685		
S	12240	FERRARA PAN CANDY CO	Y	1A	D	C	SANITARY, CAFETERIA	3,300	1,000		
S	12240	FERRARA PAN CANDY CO	Y	3A	D	C	SANITARY, BLOWDOWN	3,000	4,000		
S	12240	FERRARA PAN CANDY CO	Y	4A	D	C	SANITARY, NCCW, BOILER BLOWDOWN	25,075	29,075		
S	12240	FERRARA PAN CANDY CO	Y	5A	D	C	SANITARY, CAFETERIA	2,500	760		
S	25815	Filltrona Extrusion, Inc.	Y	463 1A	D	C	SANITARY	120	120		
S	25815	Filltrona Extrusion, Inc.	Y	463 2A	D	C	NCCW/SANITARY	1,000	4,300		
S	24826	FINISHING COMPANY, INC	Y	433 2A	D	C	SANITARY	3,000	3,000		
S	11855	Finishing Company, Inc. (The)	Y	433 2A	D	C	BOILER BLOWDOWN	3,000	4,000		
S	11855	Finishing Company, Inc. (The)	Y	433 4A	D	C	SANITARY	1,000	4,000		
S	25938	FIVE STAR LAUNDRY, INC	Y	1A	D	C	NCCW, BOILER BLOWDOWN	25,075	29,075		
S	25938	FIVE STAR LAUNDRY, INC	Y	1Z	D	C	SANITARY	4,000	2,500		
S	25554	FOCAL POINT LLC	Y	433 1Z	D	C	SANITARY	760	120		
S	14279	FOODLINER, INC	Y	1A	D	C	SANITARY, BOILER BLOWDOWN	120	120		
S	11905	FOREST PLATING CO	Y	413 2A	D	C	SANITARY	120	120		

Facility ID	Industry Name	SU	CFR	Sample Point	Flow Type	Process Type	Discharge Component	Average Flow/ Batch Max	Total Non-Process (D) Wastewater GPD
S	10439 FRAMBURG & COMPANY	Y	433 1A	D	C	SANITARY, BOILER CONDENSATE	1,300		
S	24639 FRESH EXPRESS-ADDISON	Y	1A	D	C	COOLING TOWER & BOILER BLOWDOWNS	2,000		
S	24639 FRESH EXPRESS-ADDISON	Y	1A	D	C	SANITARY	2,700		
S	24639 FRESH EXPRESS-ADDISON	Y	1Z	D	C	SANITARY	300	5,000	
S	25760 FRESH EXPRESS-EDGINGTON	Y	2A	D	C	SANITARY	700		
S	24111 FRESH EXPRESS-NEVADA	Y	2A	D	C	SANITARY/BLOWDOWN/COOLING	72,000		
S	26315 Fuel Systems, Inc.	Y	433 1A	D	C	Sanitary	1,500		
S	21831 G & K SERVICES	Y	1A	D	C	SANITARY, BOILER BLOWDOWN	3,000		
S	25694 GATE GOURMET NARROW BODY KITCHEN #240	Y	2A	D	C	SANITARY	11,000		
S	25695 GATE GOURMET UNIT 239	Y	1A	D	C	SANITARY,NCCW,BOILER BLOWDOWN	14,300		
S	12719 GATTO INDUSTRIAL PLATERS, INC.	Y	433 1Z	D	C	SANITARY	2,800		
S	12719 GATTO INDUSTRIAL PLATERS, INC.	Y	433 2Z	D	C	SANITARY	200		
S	12719 GATTO INDUSTRIAL PLATERS, INC.	Y	433 3Z	D	C	SANITARY	200	3,200	
S	12197 GEO-RAE CORPORATION	Y	433 1A	D	C	NONCONTACT COOLING, SANITARY	2,300		
S	12197 GEO-RAE CORPORATION	Y	433 1Z	D	C	SANITARY	200	2,500	
S	25657 GRACE DAVISON	Y	415 1Z	D	C	SANITARY	2,000		
S	25657 GRACE DAVISON	Y	415 2A	D	C	SANITARY / BOILER BLOWDOWN	800		
S	23696 GREENLEE DIAMOND TOOL CO	Y	415 2Z	D	C	SANITARY / BOILER BLOWDOWN	3,000	5,800	
S	25657 GRACE DAVISON	Y	433 1A	D	C	SANITARY	1,000		
S	23696 GREENLEE DIAMOND TOOL CO	Y	433 1Z	D	C	SANITARY	500	1,500	
S	11724 Griffin Plating Co., Inc.	Y	413 2A	D	C	SANITARY	200		
S	13021 Griffith Laboratories U.S.A., Inc.	Y	1A	D	C	NCCW/BOILER AND TOWER BLOWDOWN	14,000		
S	13021 Griffith Laboratories U.S.A., Inc.	Y	1Z	D	C	SANITARY	36,400	50,400	
S	11837 GUTMANN LEATHER LLC	Y	425 3Z	D	C	SANITARY	1,880		
S	11837 GUTMANN LEATHER LLC	Y	425 4A	D	C	SANITARY	1,800		
S	11837 GUTMANN LEATHER LLC	Y	425 5A	D	C	BOILER BLOWDOWN	100	3,780	
S	10471 HANDY KENLIN GROUP	Y	433 1Z	D	C	SANITARY	500		
S	10471 HANDY KENLIN GROUP	Y	433 2A	D	C	SANITARY, NCCW TOWER, BOILER	4,860	5,460	
S	25136 HINCKLEY SPRINGS	Y	1Z	D	C	SANITARY	5,000		
S	25136 HINCKLEY SPRINGS	Y	2A	D	C	SANITARY, SURFACE RUNOFF	3,000		
S	25136 HINCKLEY SPRINGS	Y	3A	D	C	NON-CONTACT COOLING, BLOWDOWN	8,800	16,800	
S	25137 HINCKLEY SPRINGS	Y	1A	D	C	SANITARY	5,000		
S	25137 HINCKLEY SPRINGS	Y	3A	D	C	BOILER	9,000	14,000	
S	25612 HI-TEMP HEAT TREATING, INC.	Y	413 1A	D	C	SANITARY, BOILER BLOWDOWN	11,300		
S	25612 HI-TEMP HEAT TREATING, INC.	Y	433 1A	D	C	SANITARY, BOILER BLOWDOWN	11,300		
S	25612 HI-TEMP HEAT TREATING, INC.	Y	413 2A	D	C	SANITARY,NCCW,BLOWDOWN	1,300		
S	25612 HI-TEMP HEAT TREATING, INC.	Y	433 2A	D	C	SANITARY,NCCW,BLOWDOWN	1,300		
S	25612 HI-TEMP HEAT TREATING, INC.	Y	413 3A	D	C	SANITARY	300		
S	25612 HI-TEMP HEAT TREATING, INC.	Y	433 3A	D	C	SANITARY	300	25,800	
S	25341 Hop Kee Inc d/b/a Oriental Delicacies Inc. Hong Kong Market	Y	2A	D	C	SANITARY	2,250		
S	10487 HORWEEN LEATHER CO	Y	425 1A	D	C	SANITARY	5,000		
S	10050 ICI UNIQEMA INC	Y	2A	D	C	SANITARY + BOILER BLOWDOWN	76,149		
S	10050 ICI UNIQEMA INC	Y	3A	D	C	SANITARY	1,180		
S	10050 ICI UNIQEMA INC	Y	4A	D	C	SANITARY	675	78,004	
S	13717 Imperial Plating Company, Inc.	Y	433 1A	D	C	SANITARY, BOILER BLOWDOWN	500		
S	26285 IMS Engineered Products LLC	Y	433 1A	D	C	SANITARY	6,900		
S	12976 INFLEX LLC	Y	463 2A	D	C	SANITARY	1,000		
S	10509 INTERNATIONAL TRUCK AND ENGINE CORP.	Y	1A	D	C	SANITARY/INCCW/BLOWDOWN	170,000		
S	25090 INTERSTATE BRANDS CORPORATION	Y	1A	D	C	CT/BOILER BLOWDOWN, NCCW	12,500		
S	25090 INTERSTATE BRANDS CORPORATION	Y	1Z	D	C	SANITARY, BOILER BLOWDOWN	2,500		

NPDES Permit Renewal
 Flow Type: R=Regulated Process; U=Unregulated Process; D=Dilutational/Non-process
 Process Type: C=Continuous; B=Batch

6.b.	WWTP	Facility ID	Industry Name	SIU	CFR	Sample Point	Flow Type	Process Type	Discharge Component	Average Flow/ Batch Max	Total Non-Process (D) Wastewater GPD
S		25090	INTERSTATE BRANDS CORPORATION	Y	2Z	D	D	C	SANITARY	2,500	17,500
S		12424	JLO Metal Products, Inc.	Y	433 2A	D	D	C	SANITARY	900	
S		12424	JLO Metal Products, Inc.	Y	467 2A	D	D	C	SANITARY	900	
S		12424	JLO Metal Products, Inc.	Y	433 2Z	D	D	C	NCCW, SANITARY	2,900	
S		12424	JLO Metal Products, Inc.	Y	467 2Z	D	D	C	NCCW, SANITARY	2,900	
S		12424	JLO Metal Products, Inc.	Y	433 3Z	D	D	C	BOILER BLOWDOWN	20	7,640
S		12424	JLO Metal Products, Inc.	Y	467 3Z	D	D	C	BOILER BLOWDOWN	20	
S		26286	Jernberg Industries, Inc.	Y	1A	D	D	C	NONCONTACT COOLING/SANITARY	28,000	
S		26286	Jernberg Industries, Inc.	Y	3A	D	D	C	NONCONTACT COOLING/SANITARY	13,000	
S		26286	Jernberg Industries, Inc.	Y	4A	D	D	C	NONCONTACT COOLING/SANITARY	14,000	
S		26286	Jernberg Industries, Inc.	Y	6A	D	D	C	SANITARY	500	61,500
S		26286	Jernberg Industries, Inc.	Y	7A	D	D	C	SANITARY	6,000	
S		10518	JEWEL FOOD STORES	Y	1A	D	D	C	SANITARY, NCCW	10,000	
S		10518	JEWEL FOOD STORES	Y	2A	D	D	C	SANITARY	20,000	30,000
S		13724	JONAS ENTERPRISES INC	Y	413 1A	D	D	C	NONCONTACT COOLING WATER	12,700	
S		13724	JONAS ENTERPRISES INC	Y	413 1Z	D	D	C	SANITARY	600	13,300
S		13590	KAC HOLDINGS, INC.	Y	471 1A	D	D	C	SANITARY/NCCW	5,400	
S		13590	KAC HOLDINGS, INC.	Y	471 1C	D	D	C	NONCONTACT COOLING WATER	2,800	
S		13590	KAC HOLDINGS, INC.	Y	471 2A	D	D	C	SANITARY	900	9,100
S		25810	Keabler Company	Y	1A	D	D	C	SANITARY	1,000	
S		25810	Keabler Company	Y	1Z	D	D	C	SANITARY	17,000	
S		25810	Keabler Company	Y	2Z	D	D	C	BLOWDOWN/NCCW	14,900	32,900
S		11133	Kerry Sweet Ingredients	Y	2A	D	D	C	NCCW, BOILER, SANITARY	18,000	
S		24910	KILOBAR COMPACTING CORP	Y	471 1Z	D	D	C	SANITARY	100	
S		25773	KINDER MORGAN LIQUIDS TERMINALS, LLC-ARGO	Y	1Z	D	D	C	SANITARY	1,729	
S		25773	KINDER MORGAN LIQUIDS TERMINALS, LLC-ARGO	Y	2A	D	D	C	SANITARY, BOILER BLOWDOWN	3,529	
S		25773	KINDER MORGAN LIQUIDS TERMINALS, LLC-ARGO	Y	3A	D	D	C	SANITARY	1,729	
S		25773	KINDER MORGAN LIQUIDS TERMINALS, LLC-ARGO	Y	4A	D	D	C	SANITARY	1,729	
S		25773	KINDER MORGAN LIQUIDS TERMINALS, LLC-ARGO	Y	6A	D	D	C	SANITARY	1,729	10,445
S		10157	KOPPERS INCORPORATED	Y	414 1A	D	D	C	BLOWDOWN,CONDITIONERS,SANITARY	140,700	
S		10157	KOPPERS INCORPORATED	Y	414 2A	D	D	C	SANITARY, STORM RUNOFF	18,900	158,600
S		25811	Kraft Foods Global, Inc.-Nabisco Biscuit Division	Y	1A	D	D	C	SANITARY/NCCW/BLOWDOWN	196,600	
S		25811	Kraft Foods Global, Inc.-Nabisco Biscuit Division	Y	2A	D	D	C	SANITARY/NCCW	28,900	225,500
S		10536	KRAMER, H & CO	Y	421 1Z	D	D	C	SANITARY	3,000	
S		10536	KRAMER, H & CO	Y	421 2A	D	D	C	NON CONTACT COOLING/BLOWDOWN	195,000	198,000
S		11882	KREL LABORATORIES INC	Y	413 2A	D	D	C	SANITARY, BOILER BLOWDOWN	300	
S		11883	KREL LABORATORIES INC	Y	413 3A	D	D	C	SANITARY, BOILER BLOWDOWN	200	
S		13793	KRONOS PRODUCTS, INC	Y	1A	D	D	C	COOLING/BOILER BLOWDOWN	1,500	
S		13793	KRONOS PRODUCTS, INC	Y	1Z	D	D	C	SANITARY	6,000	7,500
S		10885	LAKEWOOD ENGINEERING & MFG	Y	433 1A	D	D	C	NCCW,SANITARY,BOILER BLOWDOWN	29,000	
S		26262	Lemon Scents	Y	1A	D	D	C	Sanitary	660	
S		13489	Lifoam Industries, LLC	Y	463 1A	D	D	C	SANITARY/BOILER BLOWDOWN	300	
S		13489	Lifoam Industries, LLC	Y	463 2A	D	D	C	SANITARY	300	
S		13489	Lifoam Industries, LLC	Y	463 3A	D	D	C	SANITARY	300	900
S		11713	LOGAN ELECTRIC SPECIALTY MFG CO	Y	433 1Z	D	D	C	Sanitary/NCCW	900	
S		11713	LOGAN ELECTRIC SPECIALTY MFG CO	Y	1Z	D	D	C	Sanitary/NCCW	900	1,800
S		10522	MacLean Power Joslyn	Y	433 1A	D	D	C	SAN,NCCW,CONDENSATE,BOILER	14,700	
S		10522	MacLean Power Joslyn	Y	433 1Z	D	D	C	NONCONTACT COOLING WATER	7,000	
S		10522	MacLean Power Joslyn	Y	433 2A	D	D	C	SANITARY, NONCONTACT COOLING	140,150	
S		10522	MacLean Power Joslyn	Y	433 2Z	D	D	C	SANITARY	200	162,050

NPDES Permit Renewal

Flow Type: R=Regulated Process; U=Unregulated Process; D=Dilutional/Non-process

Process Type: C=Continuous; B=Batch

WWTP	Facility ID	Industry Name	SIU	CFR	Sample Point	Flow Type	Process Type	Discharge Component	Average Flow/ Batch Max	Total Non-Process (D) Wastewater GPD
S	10103	MASTERFOODS USA, A DIVISION OF MARS INC	Y		4A	D	C	NCCW/BOILER,SANITARY	219,600	
S	25768	MECALUX ILLINOIS INC	Y	433 1A		D	C	SANITARY (TENANT)	100	
S	25768	MECALUX ILLINOIS INC	Y	433 1Z		D	C	SANITARY	1,400	
S	25768	MECALUX ILLINOIS INC	Y	433 2Z		D	C	SANITARY	1,400	
S	25768	MECALUX ILLINOIS INC	Y	433 3Z		D	C	SANITARY	1,400	4,300
S	11064	Mech-Tronics	Y	413 1Z		D	C	SANITARY	2,800	
S	11064	Mech-Tronics	Y	413 2Z		D	C	SANITARY	400	3,200
S	25836	Mech-Tronics Corporation	Y	433 2A		D	C	SANITARY	400	
S	24882	METAL BOX INTERNATIONAL, INC.	Y	433 2A		D	C	SANITARY, BOILER	2,500	
S	24771	METAL-MATIC INC	Y	420 1A		D	C	SANITARY/BLOWDOWN/CONDENSATE	13,900	
S	12951	MIDWEST METAL FINISHING	Y	413 2A		D	C	SANITARY	50	
S	13289	MIKE'S ANODIZING	Y	413 2A		D	C	SANITARY, BOILER BLOWDOWN	200	
S	25498	MONTANA METAL PRODUCTS	Y	433 1A		D	C	SANITARY	2,400	
S	25991	MORGAN SERVICES, INC	Y	1A		D	C	BOILER BLOWDOWN	1,400	
S	25991	MORGAN SERVICES, INC	Y	1Z		D	C	SANITARY	5,000	6,400
S	14095	MULLINS FOOD PRODS/PACKAGING SER	Y	1A		D	C	NCCW/BLOWDOWN/SANITARY	9,000	
S	14095	MULLINS FOOD PRODS/PACKAGING SER	Y	1Z		D	C	SANITARY	100	9,100
S	10593	NALCO COMPANY	Y	455 1A		D	C	SANITARY/NCCW/BLOWDOWN	503,500	
S	10593	NALCO COMPANY	Y	455 1Z		D	C	SANITARY	4,100	507,600
S	15958	NATIONAL CONTAINER SERVICES	Y	1A		D	C	SANITARY	2,000	
S	15940	National Railroad Passenger Corporation	Y	3A		D	C	SANITARY	17,900	
S	15940	National Railroad Passenger Corporation	Y	5A		D	C	SANITARY	8,400	
S	15940	National Railroad Passenger Corporation	Y	6A		D	C	SANITARY	200	
S	15940	National Railroad Passenger Corporation	Y	7A		D	C	CONDENSATE	1,400	
S	15940	National Railroad Passenger Corporation	Y	8A		D	C	SANITARY	500	28,400
S	10698	NESTLE CHOCOLATE & CONFECTIONS	Y	2A		D	C	SANITARY	28,586	
S	21811	NEW METAL CRAFTS INC	Y	433 1A		D	C	SANITARY/NCCW	1,560	
S	25910	NICKEL COMPOSITE COATINGS, INC.	Y	433 2A		D	C	SANITARY	600	2,160
S	10987	NINA ENTERPRISES, INC	Y	433 1A		D	C	SANITARY/BOILER BLOWDOWN	1,900	
S	10987	NINA ENTERPRISES, INC	Y	433 1Z		D	C	SANITARY/BOILER BLOWDOWN	4,300	6,200
S	19614	NOBERT PLATING CO-PLANT 1	Y	433 2A		D	C	SANITARY	1,100	
S	19614	NOBERT PLATING CO-PLANT 1	Y	433 1Z		D	C	SANITARY	1,100	
S	19614	NOBERT PLATING CO-PLANT 1	Y	413 1Z		D	C	SANITARY	500	
S	19614	NOBERT PLATING CO-PLANT 1	Y	413 2A		D	C	SANITARY	500	3,200
S	12622	NOBERT PLATING CO-PLANT 2	Y	433 2A		D	C	SANITARY/BOILER BLOWDOWN	300	
S	12622	NOBERT PLATING CO-PLANT 2	Y	413 1A		D	C	SANITARY/BOILER BLOWDOWN	300	600
S	25686	Northstar Aerospace (Chicago), Inc.	Y	433 2A		D	C	SANITARY/NCCW/BLOWDOWN	28,500	
S	12461	NORTHWESTERN PLATING WORKS	Y	413 2A		D	C	SANITARY	200	
S	24696	NU-WAY INDUSTRIES, INC	Y	433 1A		D	C	SANITARY	800	
S	24696	NU-WAY INDUSTRIES, INC	Y	433 2A		D	C	SANITARY	2,300	
S	24696	NU-WAY INDUSTRIES, INC	Y	433 3A		D	C	SANITARY/BOILER BLOWDOWN	2,100	
S	24696	NU-WAY INDUSTRIES, INC	Y	433 4A		D	C	SANITARY	800	6,400
S	24696	NU-WAY INDUSTRIES, INC	Y	433 5A		D	C	SANITARY	400	
S	10766	O & K American Corporation	Y	420 1A		D	C	SANITARY	1,100	
S	14044	Olmarc Packaging Company	Y	420 2A		D	C	SANITARY	300	1,400
S	14044	Olmarc Packaging Company	Y	1A		D	C	NONCONTACT COOLING WATER	40,000	
S	14044	Olmarc Packaging Company	Y	2A		D	C	SANITARY	10,000	
S	14044	Olmarc Packaging Company	Y	3A		D	C	SANITARY	500	
S	14044	Olmarc Packaging Company	Y	4A		D	C	NCCW/BOILER BLOWDOWN	16,500	67,000

NPDES Permit Renewal
 Flow Type: R=Regulated Process; U=Unregulated Process; D=Dilutional/Non-process
 Process Type: C=Continuous; B=Batch

6.b.	WWTP	Facility ID	Industry Name	SIU	CFR	Sample Point	Flow Type	Process Type	Discharge Component	Average Flow/ Batch Max	Total Non-Process (D) Wastewater GPD
S		11716	ON-COR FROZEN FOODS INC	Y		1A	D	C	SANITARY/NCCW/BLOWDOWN	1,600	
S		25248	ORTEK INC.	Y	437	1Z	D	C	SANITARY	1,650	
S		24078	OSI INDUSTRIES, INC	Y		1Z	D	C	SANITARY	15,000	
S		24078	OSI INDUSTRIES, INC	Y		4A	D	C	NCCW/BOILER BLOWDOWN	52,000	67,000
S		10219	OWENS CORNING SUMMIT ROOFING	Y		5A	D	C	NCCW/BLOWDOWN/SANITARY	44,100	
S		10316	PEER FOODS GROUP, INC	Y		1A	D	C	NON-CONTACT COOLING	25,825	
S		10316	PEER FOODS GROUP, INC	Y		1Z	D	C	SANITARY	717	
S		10316	PEER FOODS GROUP, INC	Y		2Z	D	C	SANITARY	717	
S		10316	PEER FOODS GROUP, INC	Y		3Z	D	C	SANITARY	716	27,975
S		10888	PELTON CORP	Y	414	1A	D	C	SANITARY/NCCW/BLOWDOWN	5,100	
S		25597	PENTAIR ELECTRONIC PACKAGING COMPANY	Y	433	1A	D	C	SANITARY	1,300	
S		25597	PENTAIR ELECTRONIC PACKAGING COMPANY	Y	433	2A	D	C	SANITARY	11,300	12,600
S		10453	PEPSI AMERICAS	Y		1Z	D	C	SANITARY	7,500	
S		11920	PETERSEN FINISHING CORP	Y	413	2A	D	C	SANITARY	2,400	
S		13153	PIONEER PLATING CO INC	Y	413	1A	D	C	SANITARY	175	
S		23958	PORTER ATHLETIC EQUIPMENT COMPANY	Y	433	1A	D	C	SANITARY	2,500	
S		13721	PRECISE FINISHING COMPANY, INC	Y	413	1A	D	C	SANITARY/NCCW	400	
S		10635	PRECISION INSTRUMENTS INC	Y	433	1A	D	C	SANITARY/NCCW/BLOWDOWN	2,340	
S		10635	PRECISION INSTRUMENTS INC	Y	433	2A	D	C	SANITARY	760	3,100
S		21463	PRO-TEC METAL FINISHING CORP	Y	433	2A	D	C	SANITARY	200	
S		25324	PULSAR, INC	Y	433	1A	D	C	SANITARY	500	
S		13277	Q.C. Finishers, Inc.	Y	433	1A	D	C	SANITARY	250	
S		13277	Q.C. Finishers, Inc.	Y	433	1Z	D	C	SANITARY	100	
S		13277	Q.C. Finishers, Inc.	Y	433	2A	D	C	SANITARY	250	
S		13277	Q.C. Finishers, Inc.	Y	433	3A	D	C	SANITARY	250	
S		13277	Q.C. Finishers, Inc.	Y	433	4A	D	C	SANITARY	150	1,000
S		10639	QUAM NICHOLS CO	Y	433	1A	D	C	SANITARY/NCCW	5,900	
S		25523	R & B POWDER COATINGS	Y	433	1A	D	C	SANITARY	100	6,000
S		15043	R & R RESEARCH d/b/a E J SOMERVILLE CO	Y	433	2A	D	C	SANITARY	750	
S		13115	R C INDUSTRIES INC	Y	413	1A	D	C	SANITARY/BOILER BLOWDOWN	750	
S		11241	RELIABLE PLATING CORP	Y	413	1Z	D	C	SANITARY	450	
S		11241	RELIABLE PLATING CORP	Y	413	2Z	D	C	SANITARY	450	
S		11241	RELIABLE PLATING CORP	Y	413	3Z	D	C	SANITARY	450	
S		11241	RELIABLE PLATING CORP	Y	413	4Z	D	C	SANITARY	450	1,800
S		11136	REXAM BEVERAGE CAN COMPANY	Y	465	1A	D	C	COOLING AND SANITARY	15,000	
S		11136	REXAM BEVERAGE CAN COMPANY	Y	465	1Z	D	C	SANITARY	110	
S		11136	REXAM BEVERAGE CAN COMPANY	Y	465	2Z	D	C	SANITARY	220	
S		11136	REXAM BEVERAGE CAN COMPANY	Y	465	3Z	D	C	SANITARY	320	15,650
S		13581	RIXSON-FIREMARK DIVISION	Y	433	1A	D	C	SANITARY/BOILER BLOWDOWN	4,100	
S		13581	RIXSON-FIREMARK DIVISION	Y	433	2A	D	C	SANITARY	3,000	7,100
S		13839	ROSCOE CO	Y		1Z	D	C	SANITARY	900	
S		13839	ROSCOE CO	Y		2Z	D	C	SANITARY	100	
S		13839	ROSCOE CO	Y		3A	D	B	BOILER BLOWDOWN	3,000	4,000
S		10651	ROSE PACKING CO, INC	Y		1A	D	C	SANITARY/NCCW/BLOWDOWN	35,900	
S		15773	S & B FINISHING CO, INC	Y	433	4A	D	C	SANITARY/BLOWDOWN/NCCW	3,195	
S		25960	S B BORON CORP	Y		1A	D	C	SANITARY/ BOILER BLOWDOWN	150	
S		13427	SAFETY-KLEEN SYSTEMS	Y		1A	D	C	SANITARY	1,000	
S		13427	SAFETY-KLEEN SYSTEMS	Y		1Z	D	C	SANITARY	500	
S		13427	SAFETY-KLEEN SYSTEMS	Y		3A	D	C	BOILER BLOWDOWN,SANITARY	20,500	

NPDES Permit Renewal

Flow Type: R=Regulated Process; U=Unregulated Process; D=Dilutinal/Non-process
 Process Type: C=Continuous; B=Batch

WWTP	Facility ID	Industry Name	SIU	CFR	Sample Point	Flow Type	Process Type	Discharge Component	Average Flow/ Batch Max	Total Non-Process (D) Wastewater GPD
S	13427	SAFETY-KLEEN SYSTEMS	Y	4A	D	C	SANITARY	SANITARY	500	22,500
S	11339	SAPORITO FINISHING COMPANY	Y	413 1A	D	C	SANITARY, BOILER BD	SANITARY, BOILER BD	2,220	
S	11339	SAPORITO FINISHING COMPANY	Y	433 1A	D	C	SANITARY, BOILER BD	SANITARY, BOILER BD	2,220	
S	11339	SAPORITO FINISHING COMPANY	Y	413 1Z	D	C	SANITARY	SANITARY	180	
S	11339	SAPORITO FINISHING COMPANY	Y	433 1Z	D	C	SANITARY	SANITARY	180	
S	11339	SAPORITO FINISHING COMPANY	Y	413 2A	D	C	SANITARY, BOILER BD	SANITARY, BOILER BD	2,220	
S	11339	SAPORITO FINISHING COMPANY	Y	433 2A	D	C	SANITARY, BOILER BD	SANITARY, BOILER BD	2,220	
S	11339	SAPORITO FINISHING COMPANY	Y	413 2Z	D	C	SANITARY	SANITARY	50	9,340
S	11339	SAPORITO FINISHING COMPANY	Y	433 2Z	D	C	SANITARY	SANITARY	50	
S	13079	SARA LEE FOODS-CHICAGO FACILITY	Y	1A	D	C	BOILER BLOWDOWN/NCCW	BOILER BLOWDOWN/NCCW	2,434	9,440
S	13079	SARA LEE FOODS-CHICAGO FACILITY	Y	1Z	D	C	SANITARY	SANITARY	7,006	
S	12968	SCIENTIFIC PLATING	Y	413 1Z	D	C	SANITARY/STORMWATER	SANITARY/STORMWATER	900	
S	10679	SIGNODE CORPORATION	Y	465 1A	D	C	NONCONTACT COOLING	NONCONTACT COOLING	88,000	
S	10679	SIGNODE CORPORATION	Y	465 2A	D	C	SANITARY/BOILER BLOWDOWN	SANITARY/BOILER BLOWDOWN	10,000	
S	10679	SIGNODE CORPORATION	Y	465 3A	D	C	SANITARY	SANITARY	1,000	99,000
S	11951	SKILD PLATING CORP	Y	413 2A	D	C	SANITARY	SANITARY	100	
S	10683	SLOAN VALVE CO	Y	433 5A	D	C	BOILER BLOWDOWN	BOILER BLOWDOWN	100	
S	10683	SLOAN VALVE CO	Y	463 1A	D	C	SANITARY/NCC/BLOWDOWN	SANITARY/NCC/BLOWDOWN	16,254	16,354
S	10854	SOLO CUP OPERATING CORPORATION	Y	463 2A	D	C	BOILER BLDN/NCCW/SANITARY	BOILER BLDN/NCCW/SANITARY	136,200	142,200
S	10854	SOLO CUP OPERATING CORPORATION	Y	433 1A	D	C	SANITARY	SANITARY	6,000	
S	24585	SORINI RING MANUFACTURING CO INC	Y	433 1A	D	C	SANITARY	SANITARY	1,020	
S	13729	SOUTH CHICAGO PACKING CO	Y	6A	D	C	SANITARY/BOILER/COOLING TOWER	SANITARY/BOILER/COOLING TOWER	59,250	
S	13828	SPECIALTY FOOD GROUP (SFG)	Y	2A	D	C	SANITARY/BOILER BLOWDOWN	SANITARY/BOILER BLOWDOWN	10,000	
S	11487	SPECIFIED PLATING CO	Y	413 3A	D	C	SANITARY/Boiler Blowdown	SANITARY/Boiler Blowdown	10,000	
S	26008	STAMPEDE MEAT, INC	Y	2A	D	C	SANITARY	SANITARY	100	
S	25817	STEEL FABRICATING & FINISHING	Y	433 1Z	D	C	SANITARY/NCCW	SANITARY/NCCW	7,300	7,400
S	25817	STEEL FABRICATING & FINISHING	Y	433 2A	D	C	SANITARY, BOILER BLOWDOWN	SANITARY, BOILER BLOWDOWN	400	
S	24847	STERLING PLATING	Y	442 1A	D	C	SANITARY, BOILER BLOWDOWN	SANITARY, BOILER BLOWDOWN	600	
S	15891	T A C INC	Y	442 2A	D	C	SANITARY, BOILER BLOWDOWN	SANITARY, BOILER BLOWDOWN	600	1,200
S	15891	T A C INC	Y	1A	D	C	SAN & BOILER	SAN & BOILER	600	
S	23963	T A C INC	Y	2A	D	C	SANITARY & BOILER	SANITARY & BOILER	600	1,200
S	23963	T A C INC	Y	442 9A	D	C	SANITARY & BOILER BLOWDOWN	SANITARY & BOILER BLOWDOWN	300	
S	24828	T A C INC	Y	410 1A	D	C	SANITARY	SANITARY	1,800	
S	23833	THEODORE MERWITZ TEXTILES, INC	Y	420 1A	D	C	SANITARY	SANITARY	2,000	
S	10134	THOMPSON STEEL CO	Y	420 2A	D	C	SANITARY/COOLING TOWER BLOWDOWN	SANITARY/COOLING TOWER BLOWDOWN	1,713	
S	10134	THOMPSON STEEL CO	Y	420 4A	D	C	SANITARY/BOILER BLOWDOWN	SANITARY/BOILER BLOWDOWN	4,794	
S	10134	THOMPSON STEEL CO	Y	420 5A	D	C	SANITARY AND STORM	SANITARY AND STORM	200	8,707
S	10098	TOOTSIE ROLL IND INC	Y	1A	D	C	BOILER/COOLING BLOWDOWN,NCCW	BOILER/COOLING BLOWDOWN,NCCW	47,100	
S	11616	TRILLA STEEL DRUM CORP	Y	433 1A	D	C	SANITARY AND NCCW	SANITARY AND NCCW	2,100	
S	26346	Trimax Building Products	Y	463 1Z	D	C	SANITARY	SANITARY	4,000	
S	26346	Trimax Building Products	Y	463 2A	D	C	NCCW	NCCW	41,000	
S	26346	Trimax Building Products	Y	463 2Z	D	C	SANITARY	SANITARY	500	
S	26346	Trimax Building Products	Y	463 3Z	D	C	SANITARY	SANITARY	700	
S	26346	Trimax Building Products	Y	463 7A	D	C	SANITARY	SANITARY	10	46,210
S	26346	Trimax Building Products	Y	463 7A	D	C	SANITARY & NCCW	SANITARY & NCCW	79,500	
S	10014	TRIPLE A SERVICES, INC	Y	1A	D	C	SANITARY	SANITARY	160	
S	25719	TRI-POWDERCOATING INC	Y	433 1A	D	C	SANITARY	SANITARY	1,640	1,800
S	25719	TRI-POWDERCOATING INC	Y	433 2A	D	C	SANITARY/BOILER BLOWDOWN	SANITARY/BOILER BLOWDOWN	3,700	
S	25479	TRU-VUE	Y	3A	D	C	BOILER BLOWDOWN	BOILER BLOWDOWN	150	
S	13233	U S PLATING CO	Y	413 1A	D	C				

NPDES Permit Renewal
 Flow Type: R=Regulated Process; U=Unregulated Process; D=Dilutional/Non-process
 Process Type: C=Continuous; B=Batch

6.b.	WWTP	Facility ID	Industry Name	SIU	CFR	Sample Point	Flow Type	Process Type	Discharge Component	Average Flow/ Batch Max	Total Non-Process (D) Wastewater GPD
S		13233	U S PLATING CO	Y	413 1Z	D	C	SANITARY		250	
S		13233	U S PLATING CO	Y	413 2A	D	C	SANITARY		250	650
S		24397	U.S. Standard Sign	Y	433 1A	D	C	SANITARY		950	
S		24170	UNILEVER ILLINOIS MANUFACTURING LLC	Y	3A	D	C	SANITARY/NCCW/BOILER BLOWDOWN		80,000	
S		11443	Unilever Supply Chain, Inc.	Y	1Z	D	C	SANITARY		3,500	
S		25231	UNITED DISPLAYCRAFT	Y	433 2A	D	C	SANITARY		2,860	
S		25231	UNITED DISPLAYCRAFT	Y	433 3A	D	C	SANITARY		1,430	
S		25231	UNITED DISPLAYCRAFT	Y	433 4A	D	C	SANITARY		710	5,000
S		24950	UNITED ELECTRONICS CORP	Y	433 1A	D	C	SANITARY		2,000	
S		24950	UNITED ELECTRONICS CORP	Y	433 2A	D	C	NCCW		7,200	9,200
S		11380	UNITED METAL FINISHERS INC	Y	413 1Z	D	C	SANITARY		6,500	
S		13676	UNITED RE-MANUFACTURING CO INC	Y	433 2A	D	C	BOILER BLOWDOWN/NCCW/SANITARY		1,640	
S		10735	UNITY MANUFACTURING CO	Y	433 1A	D	C	BOILER BLDN/NONCONTACT COOLING		3,500	5,140
S		10735	UNITY MANUFACTURING CO	Y	433 1Z	D	C	SANITARY + ROOF DRAINS		90,000	
S		11464	UOP LLC	Y	414 1A	D	C	SANITARY/NCCW/BLOWDOWN		100	
S		13714	V P ANODIZING INC	Y	433 2A	D	C	SANITARY		100	
S		13053	V P PLATING & PARISO INC	Y	413 1A	D	C	SANITARY		100	
S		12167	VANEE FOODS COMPANY	Y	1A	D	C	BOILER BLOWDOWN, NCCW		70,338	
S		12167	VANEE FOODS COMPANY	Y	1Z	D	C	CAFETERIA, LAUNDRY, SANITARY		1,250	
S		12167	VANEE FOODS COMPANY	Y	2Z	D	C	SANITARY		500	
S		12167	VANEE FOODS COMPANY	Y	3Z	D	C	SANITARY		500	
S		12167	VANEE FOODS COMPANY	Y	4Z	D	C	SANITARY		500	
S		12167	VANEE FOODS COMPANY	Y	5Z	D	C	SANITARY		500	73,588
S		25855	VANEE FOODS COMPANY	Y	2A	D	C	NCCW/SANITARY/BOILER BLOWDOWN		117,025	
S		26095	Vee-Pak, Inc.	Y	1A	D	C	SANITARY, NCCW, BOILER BLOWDOWN		59,900	
S		26095	Vee-Pak, Inc.	Y	2A	D	C	SANITARY		6,000	65,900
S		25859	VEGETABLE JUICES, INC	Y	1A	D	C	SANITARY/ BOILER BLOWDOWN		750	
S		25859	VEGETABLE JUICES, INC	Y	2A	D	C	SANITARY		500	1,250
S		10394	VITA FOOD PRODUCTS INC	Y	1Z	D	C	DOMESTIC		2,170	
S		10394	VITA FOOD PRODUCTS INC	Y	2Z	D	C	DOMESTIC		30	
S		10394	VITA FOOD PRODUCTS INC	Y	3A	D	C	COMPRESSOR NCCW		11,300	13,500
S		25677	VITALITY FOODSERVICE, INC.	Y	1A	D	C	SANITARY,NCCW/BLOWDOWN		35,000	
S		11664	WATER SAVER FAUCET CO	Y	433 2A	D	C	SANITARY, BOILER BLOWDOWN		3,050	
S		10158	WERNER CO	Y	467 1A	D	C	BOILER BLOWDN/COMP. CONDENSATE		25,732	
S		10158	WERNER CO	Y	467 1C	D	C	BOILER BLOWDN/COMP. CONDENSATE		50	
S		10158	WERNER CO	Y	467 2A	D	C	SANITARY/NCCW		6,353	
S		10158	WERNER CO	Y	467 3A	D	C	SANITARY/BOILER BLDN/COMP COND		450	
S		10158	WERNER CO	Y	467 4A	D	C	SANITARY (Warehouse)		900	
S		10158	WERNER CO	Y	467 8A	D	C	NCCW/COMPRESSOR CONDENSATE		14,947	
S		10158	WERNER CO	Y	467 9A	D	C	SANITARY/NCCW/COMP CONDENSATE		36,574	85,006
S		10158	WERNER CO	Y	413 2A	D	C	SANITARY/BOILER BLOWDOWN		250	
S		13340	WEST TOWN PLATING INC	Y	410 1Z	D	C	SANITARY		2,500	
S		10759	WESTERN PIECE DYERS/FINISHERS	Y	410 3A	D	C	NCCW/ BOILER BLOWDOWN		10,250	12,750
S		10759	WESTERN PIECE DYERS/FINISHERS	Y	420 2A	D	C	SANITARY		45,900	
S		10132	WHEATLAND TUBE CO	Y	420 3A	D	C	SANITARY		1,600	47,500
S		10132	WHEATLAND TUBE CO	Y	420 3A	D	C	SANITARY		155	
S		10769	WRIGLEY MANUFACTURING COMPANY, LLC	Y	10A	D	C	SANITARY		155	
S		10769	WRIGLEY MANUFACTURING COMPANY, LLC	Y	11A	D	C	SANITARY		19,500	
S		10769	WRIGLEY MANUFACTURING COMPANY, LLC	Y	12A	D	C	SANITARY		19,500	
S		10769	WRIGLEY MANUFACTURING COMPANY, LLC	Y	13A	D	C	SANITARY		19,500	
S		10769	WRIGLEY MANUFACTURING COMPANY, LLC	Y	1A	D	C	SANITARY		652	

NPDES Permit Renewal

Flow Type: R=Regulated Process; U=Unregulated Process; D=Dilutional/Non-process

Process Type: C=Continuous; B=Batch

WWTP	Facility ID	Industry Name	SIU	CFR	Sample Point	Flow Type	Process Type	Discharge Component	Average Flow/ Batch Max	Total Non-Process (D) Wastewater GPD
.b.										
S	10769	WRIGLEY MANUFACTURING COMPANY, LLC	Y		5A	D	C	SANITARY/NCCOW	31,135	81,297
S	10769	WRIGLEY MANUFACTURING COMPANY, LLC	Y		6A	D	C	SANITARY FLOW 2A+3A+4A+6A	10,000	
S	11701	YALE POLISHERS & PLATERS INC	Y	413	1A	D	C	SANITARY/NCCW/BOILER BLOWDOWN	1,302	
S	11938	ZENITH FABRICATING CO	Y	433	1Z	D	C	Sanitary	1,790	

NPDES Permit Renewal

J Criteria: CAT=Discharge is subject to Categorical Pretreatment Standards; PR25=Non-Categorical Process Discharge >25,000 gpd

WWTP	Facility ID	Facility Name	SU Criteria	Local	40 CFR	40 CFR
1 S	25978	A PERFECTA METAL FINISHING COMPANY INC	CAT	SWCO	433	
2 S	10002	A ALLIED DIE CASTING CO	CAT	SWCO	464	
3 S	24781	ABLE ELECTROPOLISHING CO	CAT	SWCO	433	
4 S	25290	ABOVE & BEYOND BLACK OXIDE INC	CAT	SWCO	433	
5 S	13583	ACCENT METAL FINISHING CO	CAT	SWCO	413	
6 S	11340	ACCURATE ANODIZING	CAT	SWCO	413	
7 S	11166	ACE ANODIZING & IMPREGNATING INC	CAT	SWCO	413	
8 S	11047	ALANSON MFG CO	CAT	SWCO	414	
9 S	25666	AKZO NOBEL SURFACE CHEMISTRY LLC	CAT	SWCO	433	
10 S	12749	ALANSON MFG CO	CAT	SWCO	463	
11 S	11184	ALBERTO CULVER	CAT	SWCO	433	
12 S	26150	ALL-BRITE ANODIZING COMPANY	PR25	SWCO		
13 S	25867	ALSCO-AMERICAN LINEN DIVISION	PR25	SWCO		
14 S	25497	AMERICAN BOTTLING	CAT	SWCC	413	
15 S	26135	AMERICAN MIDWEST CHROME PLATING & POLISH	CAT	SWCO	433	
16 S	13351	AMERICAN NAMEPLATE CO	CAT	SWCO	413	
17 S	13207	AMERICAN NICKEL WORKS, INC	CAT	SWCO	439	
18 S	25443	AMERICAN PHARMACEUTICAL	CAT	SWCO	433	
19 S	25577	AMERICAN PLATING & MANUFACTURING	CAT	SWCO	433	
20 S	24468	AMERICAN STANDARD CIRCUITS INC	CAT	SWCO	433	
21 S	25846	AMERICAN/JEBCO CORPORATION	CAT	SWCO	433	
22 S	13090	ANCHOR METAL FINISHING COMPANY	CAT	SWCO	433	
23 S	14454	ANGELICA TEXTILE SVCS	PR25	SWCO		
24 S	25805	ANTHONY MARANO COMPANY	PR25	SWCO		
25 S	25954	ARAMARK Uniform and Career Apparel, Inc.	PR25	SWCO		
26 S	14734	ASPEN FOODS DIVISION OF KOCH FOODS, INC	PR25	SWCO		
27 S	12961	AVIS COMMERCIAL ANODIZING	CAT	SWCO	413	
28 S	12302	AZTECA FOODS INC	PR25	SWCO		
29 S	12831	B & T POLISHING INC	CAT	SWCO	433	
30 S	12823	BARNES PLATING CORP	CAT	SWCO	413	
31 S	15872	BEAVER OIL CO INC	CAT	SWCO	437	
32 S	13254	BELLWOOD INDUSTRIAL INC	CAT	SWCO	413	
33 S	11138	BELMONT PLATING WORKS, INC	CAT	SWCO	413	433
34 S	26039	BERKSHIRE d/b/a CHICAGO EXTRUDED METALS	CAT	SWCO	464	468
35 S	25557	Blo Star Films, L.L.C.	CAT	SWCO	463	
36 S	11892	BOBCO ENTERPRISES INC	CAT	SWCO	413	
37 S	10311	BORG WARNER AUTOMOTIVE	CAT	SWCO	433	
38 S	11260	Bretford Manufacturing, Inc.	CAT	SWCO	433	
39 S	11898	Bretford Manufacturing, Inc.	CAT	SWCO	433	
40 S	10314	BREUER ELECTRIC MFG CO	CAT	SWCO	433	
41 S	13586	BRIDGFORD FOODS	PR25	SWCO		
42 S	11807	CALCO PLATING, INC.	CAT	SWCO	413	
43 S	11196	CAPITOL WHOLESale MEATS	PR25	SWCO		
44 S	11576	CASTLE METAL FINISHING CORP	CAT	SWCO	413	
45 S	10001	CBSL Transportation Services, Inc.	CAT	SWCO	442	
46 S	24016	CHEF SOLUTIONS, INC	PR25	SWCO		
47 S	26254	Chicago American Manufacturing, LLC	CAT	SWCO	433	
48 S	11084	CHICAGO ANODIZING CO	CAT	SWCO	413	433
49 S	13268	CHICAGO CASTINGS COMPANY, LLC	CAT	SWCO	464	

NPDES Permit Renewal

Criteria: CAT=Discharge is subject to Categorical Pretreatment Standards; PR25=Non-Categorical Process Discharge >25,000 gpd		SIU Criteria	Local	40 CFR	40 CFR
WWTP	Facility ID	Facility Name	SWCO	420	433
50	S	10347 CHICAGO HARDWARE & FIXTURE	SWCO	420	433
51	S	24522 CHICAGO HOSPITALITY DIV. OF TYSON FOODS	SWCO		
52	S	25861 CHICAGO POWDERED METAL PRODUCTS COMPANY	SWCO	433	471
53	S	11256 CHICAGO-ALLIS MANUFACTURING COMPANY	SWCO	433	
54	S	13354 CHILO MANUFACTURING & PLATING CO, INC	SWCO	433	
55	S	25818 CIBA VISION CORPORATION	SWCO	463	
56	S	15985 CINTAS CORPORATION	SWCO		
57	S	26070 Cintas Corporation	SWCO		
58	S	13787 CITY OF CHICAGO-JARDINE WATER FILT PLNT	SWCO		
59	S	13958 CITY OF CHICAGO-SO WTR PURIFICATION PLT	SWCO	463	
60	S	10279 CLAD-REX, INC.	SWCO	413	433
61	S	12340 CODY METAL FINISHING INC	SWCO		
62	S	25417 CORN PRODUCTS INTERNATIONAL, INC. ARGO	SWCO	442	
63	S	17261 DANA CONTAINER INC	SWCO		
64	S	13477 DELAVAL MANUFACTURING	SWCO		
65	S	13681 DEN-FRANCO CORPORATION	SWCO		
66	S	15912 DENORMANDIE TOWEL & LINEN, INC.	SWCO		
67	S	14655 DOMINICK'S FINER FOODS, INC	SWCO	433	
68	S	14650 DOWNEY COMPANY, B L, INC.	SWCO	413	
69	S	12058 DYNA-BURR CHICAGO, INC.	SWCO		
70	S	26233 Ebro Foods	SWCO	433	
71	S	11406 EDSAL MANUFACTURING COMPANY, INC	SWCO	433	
72	S	24378 EDSAL MANUFACTURING COMPANY, INC	SWCO		
73	S	14249 EL MILAGRO, INC	SWCO		
74	S	26088 El Milagro, Inc. - Plant No. 4	SWCO	433	
75	S	10126 Electric Coating Technologies, LLC	SWCO	433	
76	S	13393 Electro-Motive Diesel, Inc.	SWCO	433	
77	S	12222 ELECTRONIC PLATING COMPANY	SWCO	433	
78	S	15609 ELGIN DAIRY FOODS, INC	SWCO		
79	S	10425 ELKAY MANUFACTURING COMPANY	SWCO	413	433
80	S	11977 EMPIRE HARD CHROME	SWCO	433	
81	S	25146 EMPIRE HARD CHROME PLANT 2	SWCO	433	
82	S	15546 EN-CHRO PLATING, LTD	SWCO	414	
83	S	10204 ESTER SOLUTIONS COMPANY	SWCO		
84	S	11126 EVANS FOOD PRODUCTS	SWCO	433	
85	S	25365 EX-CELL METAL PRODUCTS	SWCO	433	
86	S	26117 EXPERT METAL FINISHING, INC.	SWCO		
87	S	25813 FARLEY'S & SATHERS CANDY COMPANY	SWCO		
88	S	12240 FERRARA PAN CANDY CO	SWCO	463	
89	S	25815 Filtrona Extrusion, Inc.	SWCO	433	
90	S	24826 FINISHING COMPANY, INC	SWCO	413	433
91	S	11855 Finishing Company, Inc. (The)	SWCO		
92	S	25938 FIVE STAR LAUNDRY, INC	SWCO	433	
93	S	25554 FOCAL POINT LLC	SWCO		
94	S	14279 FOODLINER, INC	SWCO	413	
95	S	11905 FOREST PLATING CO	SWCO	433	
96	S	10439 FRAMBURG & COMPANY	SWCO		
97	S	24639 FRESH EXPRESS-ADDISON	SWCO		
98	S	25760 FRESH EXPRESS-EDGINGTON	SWCO		

NPDES Permit Renewal

Criteria: CAT=Discharge is subject to Categorical Pretreatment Standards; PR25=Non-Categorical Process Discharge >25,000 gpd						
WWTP	Facility ID	Facility Name	SU Criteria	Local	40 CFR	40 CFR
99 S	24111	FRESH EXPRESS-NEVADA	PR25	SWCO		
00 S	26315	Fuel Systems, Inc.	CAT	SWCO	433	
01 S	21831	G & K SERVICES	PR25	SWCO		
02 S	25694	GATE GOURMET NARROW BODY KITCHEN #240	PR25	SWCO		
03 S	25695	GATE GOURMET UNIT 239	PR25	SWCO	433	
04 S	12719	GATTO INDUSTRIAL PLATERS, INC.	CAT	SWCO	433	
05 S	12197	GEO-RAE CORPORATION	PR25	SWCO	415	
06 S	25657	GRACE DAVISON	CAT	SWCO	433	
07 S	23696	GREENLEE DIAMOND TOOL CO	CAT	SWCO	413	
08 S	11724	Griffin Plating Co., Inc.	PR25	SWCO		
09 S	13021	Griffith Laboratories U.S.A., Inc.	CAT	SWCO	425	
10 S	11837	GUTMANN LEATHER LLC	CAT	SWCO	433	
11 S	10471	HANDY KENLIN GROUP	PR25	SWCO		
12 S	25136	HINCKLEY SPRINGS	PR25	SWCO		
13 S	25137	HINCKLEY SPRINGS	CAT	SWCO	413	433
14 S	25612	HI-TEMP HEAT TREATING, INC.	PR25	SWCO		
15 S	25341	Hop Kee Inc d/b/a Oriental Delicacies Inc. Hong Kong Market	CAT	SWCO	425	
16 S	10487	HORWEEN LEATHER CO	PR25	SWCO		
17 S	10050	ICI UNIQEMA INC	CAT	SWCO	433	
18 S	13717	Imperial Plating Company, Inc.	CAT	SWCO	433	
19 S	26285	IMS Engineered Products LLC	CAT	SWCO	463	
20 S	12976	INPLEX LLC	PR25	SWCO		
21 S	10509	INTERNATIONAL TRUCK AND ENGINE CORP.	PR25	SWCO		
22 S	25090	INTERSTATE BRANDS CORPORATION	CAT	SWCO	433	467
23 S	12424	J L O Metal Products, Inc.	PR25	SWCO		
24 S	26286	Jernberg Industries, Inc.	PR25	SWCO		
25 S	10518	JEWEL FOOD STORES	CAT	SWCO	413	
26 S	13724	JONAS ENTERPRISES INC	CAT	SWCO	471	
27 S	13590	KAC HOLDINGS, INC.	PR25	SWCO		
28 S	25810	Keabler Company	PR25	SWCO		
29 S	11133	Kerry Sweet Ingredients	CAT	SWCO	471	
30 S	24910	KILOBAR COMPACTING CORP	PR25	SWCO		
31 S	25773	KINDER MORGAN LIQUIDS TERMINALS, LLC-ARGO	CAT	SWCO	414	
32 S	10157	KOPPERS INCORPORATED	PR25	SWCO		
33 S	25811	Kraft Foods Global, Inc.-Nabisco Biscuit Division	CAT	SWCO	421	
34 S	10536	KRAMER, H & CO	CAT	SWCO	413	
35 S	11882	KREL LABORATORIES INC	CAT	SWCO	413	
36 S	11883	KREL LABORATORIES INC	PR25	SWCO		
37 S	13793	KRONOS PRODUCTS, INC	CAT	SWCO	433	
38 S	10885	LAKEWOOD ENGINEERING & MFG	PR25	SWCO		
39 S	26262	Lemon Scents	CAT	SWCO	463	
40 S	13489	Lifoam Industries, LLC	CAT	SWCO	433	SWCO
41 S	11713	LOGAN ELECTRIC SPECIALTY MFG CO	CAT	SWCO	433	
42 S	10522	MacLean Power Joslyn	PR25	SWCO		
43 S	10103	MASTERFOODS USA, A DIVISION OF MARS INC	CAT	SWCO	433	
44 S	25768	MECALUX ILLINOIS INC	CAT	SWCO	413	
45 S	11064	Mech-Tronics	CAT	SWCO	433	
46 S	25836	Mech-Tronics Corporation	CAT	SWCO	433	
47 S	24882	METAL BOX INTERNATIONAL, INC.	CAT	SWCO	433	

NPDES Permit Renewal

Criteria: CAT=Discharge is subject to Categorical Pretreatment Standards; PR25=Non-Categorical Process Discharge >25,000 gpd

WWTP	Facility ID	Facility Name	SIU Criteria	Local	40 CFR	40 CFR
			CAT	SWCO	420	
48 S	24771	METAL-MATIC INC	CAT	SWCO	413	
49 S	12951	MIDWEST METAL FINISHING	CAT	SWCO	413	
50 S	13289	MIKE'S ANODIZING	CAT	SWCO	433	
51 S	25498	MONTANA METAL PRODUCTS	PR25	SWCO		
52 S	25991	MORGAN SERVICES, INC	PR25	SWCO	455	
53 S	14095	MULLINS FOOD PRODS/PACKAGING SER	CAT	SWCO		
54 S	10593	NALCO COMPANY	PR25	SWCO		
55 S	15958	NATIONAL CONTAINER SERVICES	PR25	SWCO		
56 S	15940	National Railroad Passenger Corporation	PR25	SWCO		
57 S	10698	NESTLE CHOCOLATE & CONFECTIONS	CAT	SWCO	433	
58 S	21811	NEW METAL CRAFTS INC	CAT	SWCO	433	
59 S	25910	NICKEL COMPOSITE COATINGS, INC.	CAT	SWCO	433	
60 S	10987	NINA ENTERPRISES, INC	CAT	SWCO	413	433
61 S	19614	NOBERT PLATING CO-PLANT 1	CAT	SWCO	413	433
62 S	12822	NOBERT PLATING CO-PLANT 2	CAT	SWCO	433	
63 S	25686	Northstar Aerospace (Chicago), Inc.	CAT	SWCO	413	
64 S	12481	NORTHWESTERN PLATING WORKS	CAT	SWCO	433	
65 S	24696	NU-WAY INDUSTRIES, INC	CAT	SWCO	420	
66 S	10766	O & K American Corporation	PR25	SWCO		
67 S	14044	Olimarc Packaging Company	PR25	SWCO		
68 S	11716	ON-COR FROZEN FOODS INC	CAT	SWCO	437	
69 S	25248	ORTEK INC.	PR25	SWCO		
70 S	24078	OSI INDUSTRIES, INC	PR25	SWCO		
71 S	10219	OWENS CORNING SUMMIT ROOFING	PR25	SWCO		
72 S	10316	PEER FOODS GROUP, INC	CAT	SWCO	414	
73 S	10888	PELRON CORP	CAT	SWCO	433	
74 S	25597	PENTAIR ELECTRONIC PACKAGING COMPANY	PR25	SWCO		
75 S	10453	PEPSI AMERICAS	CAT	SWCO	413	
76 S	11920	PETERSEN FINISHING CORP	CAT	SWCO	413	
77 S	13153	PIONEER PLATING CO INC	CAT	SWCO	433	
78 S	23958	PORTER ATHLETIC EQUIPMENT COMPANY	CAT	SWCO	413	
79 S	13721	PRECISE FINISHING COMPANY, INC	CAT	SWCO	433	
80 S	10635	PRECISION INSTRUMENTS INC	CAT	SWCO	433	
81 S	21463	PRO-TEC METAL FINISHING CORP	CAT	SWCO	433	
82 S	25324	PULSAR, INC	CAT	SWCO	433	
83 S	13277	Q.C. Finishers, Inc.	CAT	SWCO	433	
84 S	10639	QUAM NICHOLS CO	CAT	SWCO	433	
85 S	25523	R & B POWDER COATINGS	CAT	SWCO	433	
86 S	15043	R & R RESEARCH d/b/a E J SOMERVILLE CO	CAT	SWCO	413	
87 S	13115	R C INDUSTRIES INC	CAT	SWCO	413	
88 S	11241	RELIABLE PLATING CORP	CAT	SWCO	465	
89 S	11136	REXAM BEVERAGE CAN COMPANY	CAT	SWCO	433	
190 S	13581	RIXSON-FIREMARK DIVISION	PR25	SWCO		
191 S	13839	ROSCOE CO	PR25	SWCO		
192 S	10651	ROSE PACKING CO, INC	CAT	SWCO	433	
193 S	15773	S & B FINISHING CO, INC	PR25	SWCO		
194 S	25960	S B BORON CORP	PR25	SWCO		
195 S	13427	SAFETY-KLEEN SYSTEMS	PR25	SWCO		
196 S	11339	SAPORITO FINISHING COMPANY	CAT	SWCO	413	433

NPDES Permit Renewal

Criteria: CAT=Discharge is subject to Categorical Pretreatment Standards; PR25=Non-Categorical Process Discharge >25,000 gpd					
WWTP	Facility ID	Facility Name	SIU Criteria	Local	40 CFR
			PR25	SWCO	40 CFR
97 S	13079	SARA LEE FOODS-CHICAGO FACILITY	CAT	SWCO	413
98 S	12968	SCIENTIFIC PLATING	PR25	SWCO	
99 S	23995	SEXTON/CONGRESS DEVELOPMENT COMPANY	CAT	SWCO	465
00 S	10679	SIGNODE CORPORATION	CAT	SWCO	413
01 S	11951	SKILD PLATING CORP	CAT	SWCO	433
02 S	10683	SLOAN VALVE CO	CAT	SWCO	463
03 S	10854	SOLO CUP OPERATING CORPORATION	CAT	SWCO	433
04 S	24585	SORINI RING MANUFACTURING CO INC	PR25	SWCO	
05 S	13729	SOUTH CHICAGO PACKING CO	PR25	SWCO	413
06 S	13828	SPECIALTY FOOD GROUP (SFG)	CAT	SWCO	
07 S	11487	SPECIFIED PLATING CO	PR25	SWCO	
08 S	26008	STAMPEDE MEAT, INC	CAT	SWCO	433
09 S	25817	STEEL FABRICATING & FINISHING	CAT	SWCO	433
10 S	24847	STERLING PLATING	CAT	SWCO	442
11 S	15891	T A C INC	PR25	SWCO	
12 S	23963	T A C INC	CAT	SWCO	442
13 S	24828	T A C INC	CAT	SWCO	410
14 S	23833	THEODORE MERWITZ TEXTILES, INC	CAT	SWCO	420
15 S	10134	THOMPSON STEEL CO	PR25	SWCO	
16 S	10098	TOOTSIE ROLL IND INC	CAT	SWCO	433
17 S	11616	TRILLA STEEL DRUM CORP	PR25	SWCO	463
18 S	26346	Trimmax Building Material	PR25	SWCO	
19 S	10014	TRIPLE A SERVICES, INC	CAT	SWCO	433
20 S	25719	TRI-POWDERCOATING INC	PR25	SWCO	
21 S	25479	TRU-VUE	CAT	SWCO	413
22 S	13233	U S PLATING CO	CAT	SWCO	433
23 S	24397	U.S. Standard Sign	PR25	SWCO	
24 S	24170	UNILEVER ILLINOIS MANUFACTURING LLC	PR25	SWCO	
25 S	11443	Unilever Supply Chain, Inc.	CAT	SWCO	433
26 S	25231	UNITED DISPLAYCRAFT	CAT	SWCO	433
27 S	24950	UNITED ELECTRONICS CORP	CAT	SWCO	413
28 S	11380	UNITED METAL FINISHERS INC	CAT	SWCO	433
29 S	13676	UNITED RE-MANUFACTURING CO INC	CAT	SWCO	414
30 S	10735	UNITY MANUFACTURING CO	CAT	SWCO	433
31 S	11464	UOP LLC	CAT	SWCO	413
32 S	13714	V P ANODIZING INC	PR25	SWCO	
33 S	13053	V P PLATING & PARISO INC	PR25	SWCO	
34 S	12167	VANEE FOODS COMPANY	PR25	SWCO	
35 S	25855	VANEE FOODS COMPANY	CAT	SWCO	
36 S	26095	Vee-Pak, Inc.	PR25	SWCO	
37 S	25859	VEGETABLE JUICES, INC	PR25	SWCO	
38 S	10394	VITA FOOD PRODUCTS INC	PR25	SWCO	
39 S	25677	VITALITY FOODSERVICE, INC.	CAT	SWCO	433
40 S	11664	WATER SAVER FAUCET CO	CAT	SWCO	467
41 S	10158	WERNER CO	CAT	SWCO	413
42 S	13340	WEST TOWN PLATING INC	CAT	SWCO	410
43 S	10759	WESTERN PIECE DYERS/FINISHERS	CAT	SWCO	420
44 S	10132	WHEATLAND TUBE CO	PR25	SWCO	
45 S	10769	WRIGLEY MANUFACTURING COMPANY, LLC	PR25	SWCO	

NPDES Permit Renewal

Criteria: CAT=Discharge is subject to Categorical Pretreatment Standards; PR25=Non-Categorical Process Discharge >25,000 gpd

	WWTP	Facility ID	Facility Name	SIU Criteria	Local	40 CFR	40 CFR
6	S	11701	YALE POLISHERS & PLATERS INC	CAT	SWCO	413	
7	S	11938	ZENITH FABRICATING CO	CAT	SWCO	433	

	NAME & ADDRESS	TYPE OF FACILITY	NATURE & ORIGIN	VOLUME (GPD)		DATA	PRETREATMENT	FLOW TYPE
				AVERAGE	MAXIMUM			
25789	Barrie Park 1000 Garfield Street Oak Park, Illinois 60302	Municipal park.	Hydrocarbons from former manufactured gas plant.	40,000	144,000	attached	Solids settling, filtration.	Batch
11182	CHEMCENTRAL Corp. 7050 West 71st Street Bedford Park, IL 60499	Solvent & chemical distribution.	Solvents & chemicals from USTs.	1,500	5,000	attached	Air stripping, granular activated carbon.	Batch
26187	Home Depot Store 4555 South Western Boulevard Chicago, IL 60608	Retail store.	Hydrocarbons from gasoline UST of former industrial site.	30,000	40,000	attached	Oil skimmer, 100 micron filter, ozonation.	Batch
26333	Peoples Gas Former 22nd St. Station MGP Site 2200 S. Racine Ave. Chicago, IL 60608	Former manufactured gas plant.	BTEX and PAHs from groundwater.	20,000	72,000	attached	Filtration, grease/oil separator, sedimentation.	Continuous
22902	Sears Auto Center 1630 N. Harlem Ave. Elmwood Park, IL 60707	Automotive repair shop.	Gasoline & LUSTs.	1,000	7,200	attached	Filtration, grease/oil separation, carbon absorption.	Continuous
12404	Union Pacific Proviso Yards 5050 W. Lake St. Melrose Park, IL 60164	Railroad yard.	Diesel fuel, leaks and spills from railroad operations.	44,000	260,000	attached	Air flotation, grease/oil separator, sedimentation, neutralization.	Batch

SPECIAL DISCHARGE AUTHORIZATION PRIORITY POLLUTANT MONTHLY REPORT

ERW Site: Barrie Park MGP Remediation Site
 Address: 1005 S. Lombard Ave.
 City: Oak Park State: Illinois Zip Code: 60304 Telephone: 630-495-3813

Reporting period: 12 05 Sampling date: 11/7/05 Final discharge sampling point: 1 E
Month Year
 Final discharge sampling point effluent flow applicable to the reporting period: 150 (Gallons)

No.	Purgeables	CAS No.	QL Required (ug/L)	QL Attained (ug/L)	Analytical Results (ug/L)
1	Chloromethane	74-87-3	10	10	ND (10)
2	Bromomethane	74-83-9	10	10	ND (10)
3	Chloroethane	75-00-3	10	10	ND (10)
4	Acetone	67-64-1	10	10	ND (10)
5	Carbon Disulfide	75-15-0	10	10	ND (10)
6	1,1-Dichloroethene	75-35-4	10	5.0	ND (5.0)
7	1,1-Dichloroethane	75-34-3	10	5.0	ND (5.0)
8	1,2-Dichloroethene (total)	540-59-0	10	5.0	ND (5.0)
9	Bromodichloromethane	75-27-4	10	5.0	ND (5.0)
10	1,2-Dichloropropane	78-87-5	10	5.0	ND (5.0)
11	cis-1,3-Dichloropropene	10061-01-5	10	5.0	ND (5.0)
12	Dibromochloromethane	124-48-1	10	5.0	ND (5.0)
13	1,1,2-Trichloroethane	79-00-5	10	5.0	ND (5.0)
14	trans-1,3-Dichloropropene	10061-02-6	10	5.0	ND (5.0)
15	Bromoform	75-25-2	10	5.0	ND (5.0)
16	1 Methyl 2 pentanone	108-10-1	10	10	ND (10)
17	2 Hexanone	591-78-6	10	10	ND (10)
18	1,1,2,2-Tetrachloroethane	79-34-5	10	5.0	ND (5.0)
19	Acrolein	107-02-8	500 *	200	ND (200)
20	Acrylonitrile	107-13-1	500 *	40	ND (40)
21	Benzene	71-43-2	10	5.0	ND (5.0)
22	1,3-Butadiene	106-99-0	ND **	Not included in approved method	
23	Chlorobenzene	108-90-7	10	5.0	ND (5.0)
24	Chloroform	67-66-3	10	5.0	ND (5.0)
25	1,2-Dichloroethane	107-06-2	10	5.0	ND (5.0)
26	Methylethyl Ketone	78-93-3	10	10	ND (10)
27	Tetrachloroethene	127-18-4	10	5.0	ND (5.0)
28	1,1,1-Trichloroethane	71-55-6	10	5.0	ND (5.0)
29	Trichloroethene	79-01-6	10	5.0	ND (5.0)
30	Carbon Tetrachloride	56-23-5	10	5.0	ND (5.0)
31	Ethylbenzene	100-41-4	10	5.0	ND (5.0)
32	Ethylene Dibromide	106-93-4	10 *	5.0	ND (5.0)
33	1 Ethyl, 2 Methylbenzene	611-14-3	10 *	Not included in approved method	
34	1,3,5-Trimethylbenzene	108-67-8	10 *	Not included in approved method	
35	1,4-Dioxane	123-91-1	500*	Not included in approved method	
36	Toluene	108-88-3	10	5.0	ND (5.0)
37	Styrene	100-42-5	10	5.0	ND (5.0)
38	Vinyl Chloride	75-01-4	10	10	ND (10.0)
39	Dichloromethane	75-09-2	10	5.0	ND (5.0)
40	Xylenes (total)	1330-20-7	10	5.0	ND (5.0)

* Parameter not on CPL list. Quantitation limit based on acceptable laboratory capability.
 ** Not Determined.

No.	Base/Neutral/Acid Extractables (BNAs)	CAS No.	QL Required (ug/L)	QL Attained (ug/L)	Analytical Results (ug/L)
101	Benzo (a) pyrene	50-32-8	10	11	ND (11)
102	Indeno (1,2,3-c,d) pyrene	193-39-5	10	11	ND (11)
103	Dibenzo (a,h) anthracene	53-70-3	10	11	ND (11)
104	Benzo (g,h,i) perylene	191-24-2	10	11	ND (11)

No.	Pesticides and PCBs	CAS No.	QL Required (ug/L)	QL Attained (ug/L)	Analytical Results (ug/L)
105	Alpha-BHC	319-84-6	0.05	0.048	ND (0.048)
106	Beta-BHC	319-85-7	0.05	0.048	ND (0.048)
107	Delta-BHC	319-86-8	0.05	0.048	ND (0.048)
108	Gamma-BHC (Lindane)	58-89-9	0.05	0.048	ND (0.048)
109	Heptachlor	76-44-8	0.05	0.048	ND (0.048)
110	Aldrin	309-00-2	0.05	0.048	ND (0.048)
111	Heptachlor epoxide	1024-57-3	0.05	0.048	ND (0.048)
112	Endosulfan I	959-98-8	0.05	0.048	ND (0.048)
113	Dieldrin	60-57-1	0.10	0.048	ND (0.048)
114	4,4'-DDE	72-55-9	0.10	0.048	ND (0.048)
115	Endrin	72-20-8	0.10	0.048	ND (0.048)
116	Endosulfan II	33213-65-9	0.10	0.048	ND (0.048)
117	4,4'-DDD	72-54-8	0.10	0.048	ND (0.048)
118	Endosulfan sulfate	1031-07-8	0.10	0.048	ND (0.048)
119	4,4'-DDT	50-29-3	0.10	0.048	ND (0.048)
120	Methoxychlor	72-43-5	0.50	Not included in approved method	
121	Endrin ketone	53494-70-5	0.10	Not included in approved method	
122	Endrin aldehyde	7421-93-4	0.10	0.048	ND (0.048)
123	alpha-Chlordane	5103-71-9	0.05	Not included in approved method	
124	gamma-Chlordane	5103-74-2	0.05	Not included in approved method	
125	Toxaphene	8001-35-2	5.00	0.48	ND (0.48)
126	Aroclor-1016	12674-11-2	1.00	0.48	ND (0.48)
127	Aroclor-1221	11104-28-2	2.00	0.48	ND (0.48)
128	Aroclor-1232	11141-16-5	1.00	0.48	ND (0.48)
129	Aroclor-1242	53469-21-9	1.00	0.48	ND (0.48)
130	Aroclor-1248	12672-29-6	1.00	0.48	ND (0.48)
131	Aroclor-1254	11097-69-1	1.00	0.48	ND (0.48)
132	Aroclor-1260	11096-82-5	1.00	0.48	ND (0.48)

No.	Metals	Analytical Results (mg/L)
133	Antimony	ND (0.010)
134	Arsenic	0.16
135	Beryllium	0.0080
136	Cadmium	0.013
137	Chromium (total)	0.24
138	Copper	0.50
139	Iron	490
140	Lead	0.21
141	Mercury	0.00066
142	Nickel	0.41
143	Selenium	ND (0.0050)
144	Silver	ND (0.0025)
145	Thallium	0.0086
146	Zinc	1.2

No.	Metals	Analytical Results
147	Cyanide (total)	0.0018 mg/L
148	Fats, Oils and Greases (total)	25 mg/L
149	pH	9.25 pH Units
150	Total VOCs *	0 ug/L

* Total VOCs is the arithmetic sum of the concentrations of Parameter Nos. 19 through 42.

REMINDER:

Complete the Sample Collection, Analysis and Report Certification on page four and submit Form SDA-203 with copies of the certified laboratory analyses within 20 days after the close of the reporting month to:

Metropolitan Water Reclamation
District of Greater Chicago
Enforcement Section
P.O. Box 10654
Chicago, IL 60610

SPECIAL DISCHARGE AUTHORIZATION PRIORITY POLLUTANT MONTHLY REPORT

ERW Site: CHRYSLER TANK
 Address: 7050 W. 111th St
 City: Bedford Park State: IL Zip Code: 60419 Telephone: 630-348-3411

Reporting period: 12/25 Sampling date: 12/6/05 Final discharge sampling point:
 Final discharge sampling point effluent flow applicable to the reporting period: 24720 (Gallons)

No.	Purgeables	CAS No.	QL Required (ug/L)	QL Attained (ug/L)	Analytical Results (ug/L)
1	Chloromethane	74-87-3	10	1	ND
2	Bromomethane	74-83-9	10	1	ND
3	Chloroethane	75-00-3	10	1	ND
4	Acetone	67-64-1	10	5	ND
5	Carbon Disulfide	75-15-0	10	5	ND
6	1,1-Dichloroethene	75-35-4	10	1	ND
7	1,1-Dichloroethane	75-34-3	10	1	ND
8	1,2-Dichloroethene (total)	540-59-0	10	1	1.6 ND
9	Bromodichloromethane	75-27-4	10	1	ND
10	1,2-Dichloropropane	78-87-5	10	1	ND
11	cis-1,3-Dichloropropene	10061-01-5	10	1	ND
12	Dibromochloromethane	124-48-1	10	1	ND
13	1,1,2-Trichloroethane	79-00-5	10	1	ND
14	trans-1,3 Dichloropropene	10061-02-6	10	1	ND
15	Bromoform	75-25-2	10	1	ND
16	4 Methyl 2 pentanone	108-10-1	10	5	ND
17	2 Hexanone	591-78-6	10	5	ND
18	1,1,2,2-Tetrachloroethane	79-34-5	10	1	ND
19	Acrolein	107-02-8	500 *	100	ND
20	Acrylonitrile	107-13-1	500 *	20	ND
21	Benzene	71-43-2	10	1	ND
22	1,3-Butadiene	106-99-0	ND **	1	ND
23	Chlorobenzene	108-90-7	10	1	ND
24	Chloroform	67-66-3	10	1	ND
25	1,2-Dichloroethane	107-06-2	10	1	ND
26	Methylethyl Ketone	78-93-3	10	5	ND
27	Tetrachloroethene	127-18-4	10	1	ND
28	1,1,1-Trichloroethane	71-55-6	10	1	ND
29	Trichloroethene	79-01-6	10	1	ND
30	Carbon Tetrachloride	56-23-5	10	1	ND
31	Ethylbenzene	100-41-4	10	1	ND
32	Ethylene Dibromide	106-93-4	10 *	1	ND
33	1 Ethyl, 2 Methylbenzene	611-14-3	10 *	1	ND
34	1,3,5-Trimethylbenzene	108-67-8	10 *	1	ND
35	1,4-Dioxane	123-91-1	500 *	1	ND
36	Toluene	108-88-3	10	1	ND
37	Styrene	100-42-5	10	1	ND
38	Vinyl Chloride	75-01-4	10	1	ND
39	Dichloromethane	75-09-2	10	1	ND
40	Xylenes (total)	1330-20-7	10	2	ND

* Parameter not on CLP list. Quantitation limit based on acceptable laboratory capability.
 ** Not Determined.

No.	Base/Neutral/Acid Extractables (BNAs)	CAS No.	QL Required (ug/L)	QL Attained (ug/L)	Analytical Results (ug/L)
41	1,4-Dichlorobenzene	106-46-7	10	2.0	ND
42	Napthalene	91-20-3	10	0.98	ND
43	Phenol	108-95-2	10	4.9	ND
44	bis(2-Chloroethyl) ether	111-44-4	10	2.0	ND
45	2-Chlorophenol	95-57-8	10	4.9	ND
46	1,3-Dichlorobenzene	541-73-1	10	2.0	ND
47	1,2-Dichlorobenzene	95-50-1	10	2.0	ND
48	2-Methylphenol	95-48-7	10	2.0	ND
49	bis(2-Chloroisopropyl) ether	108-60-1	10	2.0	ND
50	4-Methylphenol	106-44-5	10	2.0	ND
51	N-Nitroso-di-n-propylamine	621-64-7	10	0.49	ND
52	Hexachloroethane	67-72-1	10	4.9	ND
53	Nitrobenzene	98-95-3	10	0.98	ND
54	Isophorone	78-59-1	10	2.0	ND
55	2-Nitrophenol	88-75-5	10	9.8	ND
56	2,4-Dimethylphenol	105-67-9	10	9.8	ND
57	bis(2-Chloroethoxy) methane	111-91-1	10	2.0	ND
58	2,4-Dichlorophenol	120-83-2	10	9.8	ND
59	1,2,4-Trichlorobenzene	120-82-1	10	2.0	ND
60	4-Chloroaniline	106-47-8	10	9.8	ND
61	Hexachlorobutadiene	87-68-3	10	4.9	ND
62	4-Chloro-3-methylphenol	59-50-7	10	9.8	ND
63	2-Methylnapthalene	91-57-6	10	0.49	ND
64	Hexachlorocyclopentadiene	77-47-4	10	2.0	ND
65	2,4,6-Trichlorophenol	88-06-2	10	4.9	ND
66	2,4,5-Trichlorophenol	95-95-4	25	9.8	ND
67	2-Chloronaphthalene	91-58-7	10	2.0	ND
68	2-Nitroaniline	88-74-4	25	4.9	ND
69	Dimethylphthalate	131-11-3	10	2.0	ND
70	Acenaphthylene	208-96-8	10	0.98	ND
71	2,6-Dinitrotoluene	606-20-2	10	0.49	ND
72	3-Nitroaniline	99-09-2	25	9.8	ND
73	Acenaphthene	83-32-9	10	0.98	ND
74	2,4-Dinitrophenol	51-28-5	25	2.0	ND
75	4-Nitrophenol	100-02-7	25	2.0	ND
76	Dibenzofuran	132-64-9	10	2.0	ND
77	2,4-Dinitrotoluene	121-14-2	10	0.98	ND
78	Diethylphthalate	84-66-2	10	2.0	ND
79	4-Chlorophenyl-phenyl ether	7005-72-3	10	4.9	ND
80	Fluorene	86-73-7	25	0.98	ND
81	4-Nitroaniline	100-01-6	25	9.8	ND
82	4,6-Dinitro-2-methylphenol	534-52-1	10	2.0	ND
83	N-Nitrosodiphenylamine	86-30-6	10	0.98	ND
84	4-Bromophenyl-phenyl ether	101-55-3	10	4.9	ND
85	Hexachlorobenzene	118-74-1	10	0.49	ND
86	Pentachlorophenol	87-86-5	25	9.8	ND
87	Phenanthrene	85-01-8	10	0.98	ND
88	Anthracene	120-12-7	10	0.98	ND
89	Carbazole	86-74-8	10	4.9	ND
90	Di-n-butylphthalate	84-74-2	10	4.9	ND
91	Flouranthene	206-44-0	10	0.98	ND
92	Pyrene	129-00-0	10	0.98	ND
93	Butylbenzylphthalate	85-68-7	10	2.0	ND
94	3,3-Dichlorobenzidine	91-94-1	10	4.9	ND
95	Benzo (a) anthracene	56-55-3	10	0.20	ND
96	Chrysene	218-01-9	10	0.49	ND
97	bis(2-Ethylhexyl) phthalate	117-81-7	10	9.8	ND
98	Di-n-octylphthalate	117-84-0	10	9.8	ND
99	Benzo (b) flouranthene	205-99-2	10	0.20	ND
100	Benzo (k) flouranthene	207-08-9	10	0.20	ND

SAMPLE COLLECTION, ANALYSIS AND REPORT CERTIFICATION

PART A

PERSON RESPONSIBLE FOR SAMPLE COLLECTION

I certify that samples were collected using approved USEPA procedures, that samples were properly preserved and labeled and that chain of custody procedures were followed.

Name: Kevin C. Falvey Title: Business Development
 Company: Microbac Labs Address: Merrillville, IN
 Signature: [Signature] Date: MAY 6, 2005

PART B

LABORATORY REPRESENTATIVE

I certify to the following: that proper chain of custody procedures were followed, as documented on chain of custody forms; that all samples were labeled and that sample integrity was maintained by proper preservation; that quality assurance and quality control procedures were established and carried out; that sample holding times were not exceeded; that USEPA 500 and 500 Series Methods were used for sample analysis and that CLP practical quantitation limits for wastewater were met for each parameter. However, if quantitation limits were not achieved, as so indicated on this form, the reasons are as follows:

- Volatiles: The laboratory control sample associated with the Morhous April SDA sample failed with a low bias for 2-Chlorophthalene. Insufficient sample remained for re-extraction and analysis.
- DNAs: The sample extract required dilution due to interference from non-target analytes. The reporting limits have been adjusted accordingly to reflect this.
- Pesticides: Chlordane could not be reported to the MWRD/CIC required reporting limits due to matrix interference. The Microbac calculated practical quantitation limits used as the reporting limit.

Name: Kathy Luttier Title: Project Manager
 Company: Microbac Laboratories, Inc. Address: 250 W. 84th Drive, Merrillville, IN 45410
 Signature: [Signature] Date: May 6, 2005

PART C

COMPANY REPRESENTATIVE

I certify that all of the information contained on this form is true and accurate to the best of my knowledge and belief. I am aware that there are significant penalties for submitting false information, including the possibility of fines and imprisonment for knowing violations.

Name: ERIC WENZEL Title: Engineer
 Company: Brandenburg Address: 2625 S. LOUIS
 Signature: [Signature] Date: 5/10/05
CHICAGO IL 60608

Postmarked
5/10/05 AB

No.	Base/Neutral/Acid Extractables (BNAs)	CAS No.	QL Required (µg/L)	QL Attained (µg/L)	Analytical Results (µg/L)
101	Benzo[a]pyrene	50-32-8	10	100	ND
102	Indeno[1,2,3cd]pyrene	193-39-5	10	100	ND
103	Dibenz[a,h]anthracene	53-70-3	10	100	ND
104	Benzo[fg,h,i]perylene	191-24-2	10	100	ND

No.	Pesticides and PCBs	CAS No.	QL Required (µg/L)	QL Attained (µg/L)	Analytical Results (µg/L)
105	alpha-BHC	319-84-6	0.05	0.051	ND
106	beta-BHC	319-85-7	0.05	0.051	ND
107	delta-BHC	319-86-8	0.05	0.051	ND
108	gamma-BHC	58-89-9	0.05	0.051	ND
109	Heptachlor	76-44-8	0.05	0.051	ND
110	Aldrin	309-00-2	0.05	0.051	ND
111	Heptachlor epoxide	1024-57-3	0.05	0.051	ND
112	Endosulfan I	959-98-8	0.05	0.051	ND
113	Dieldrin	60-57-1	0.10	0.1	ND
114	4,4'-DDE	72-55-9	0.10	0.1	ND
115	Endrin	72-20-8	0.10	0.1	ND
116	Endosulfan II	33213-65-9	0.10	0.1	ND
117	4,4'-DDD	72-54-8	0.10	0.1	ND
118	Endosulfan sulfate	1031-07-8	0.10	0.1	ND
119	4,4'-DDT	50-29-3	0.10	0.1	ND
120	Methoxychlor	72-43-5	0.50	0.51	ND
121	Endrin Ketone	53494-70-5	0.10	0.1	ND
122	Endrin aldehyde	7421-93-4	0.10	0.1	ND
123	alpha-Chlordane	5103-71-9	0.05	10	ND
124	gamma-Chlordane	5566-34-7	0.05	10	ND
125	Toxaphene	8001-35-2	5.00	5.1	ND
126	Aroclor 1016	12674-11-2	1.00	1	ND
127	Aroclor 1221	11104-28-2	2.00	1	ND
128	Aroclor 1232	11141-16-5	1.00	1	ND
129	Aroclor 1242	53469-21-9	1.00	1	ND
130	Aroclor 1248	12672-29-6	1.00	1	ND
131	Aroclor 1254	11097-69-1	1.00	1	ND
132	Aroclor 1260	11096-82-5	1.00	1	ND

No.	Metals	Analytical Results (mg/L)
133	Antimony	ND
134	Arsenic	ND
135	Beryllium	ND
136	Cadmium	ND
137	Chromium	ND
138	Copper	ND
139	Iron	0.44
140	Lead	ND
141	Mercury	ND
142	Nickel	0.052
143	Selenium	ND
144	Silver	ND
145	Thallium	ND
146	Zinc	0.035

No.	Other Parameters	Analytical Results
147	Cyanide, Total	ND (mg/L)
148	Oil & Grease (HEM)	6.2 (mg/L)
149	pH	7.67 (pH units)
150	Total VOC s*	< 150 µg/L

* Total VOCs is the arithmetic sum of the concentrations of Parameter Nos. 19 through 42.

REMINDER

Complete the Sample Collection, Analysis and Report Certification on page four and submit Form SD-1-203 with copies of the certified laboratory analysis within 30 days after the close of the reporting month to:

Metropolitan Water Reclamation
District of Greater Chicago
Enforcement Section
P.O. Box 10654
Chicago, IL 60610

No.	Base/Neutral/Acid Extractables (BNAs)	CAS No.	QL Required (µg/L)	QL Attained (µg/L)	Analytical Results (µg/L)
41	1,4-Dichlorobenzene	106-46-7	10	100	ND
42	Naphthalene	91-20-3	10	100	ND
43	Phenol	108-95-2	10	100	ND
44	Bis(2-chloroethyl)ether	111-44-4	10	100	ND
45	2-Chlorophenol	95-57-8	10	100	ND
46	1,3-Dichlorobenzene	541-73-1	10	100	ND
47	1,2-Dichlorobenzene	95-50-1	10	100	ND
48	2-Methylphenol	95-48-7	10	100	ND
49	Bis(2-chloroisopropyl)ether	108-60-1	10	100	ND
50	3/4-Methylphenol	106-44-5	10	100	ND
51	N-Nitrosodi-n-propylamine	621-64-7	10	100	ND
52	Hexachloroethane	67-72-1	10	100	ND
53	Nitrobenzene	98-95-3	10	100	ND
54	Isophorone	78-59-1	10	100	ND
55	2-Nitrophenol	88-75-5	10	100	ND
56	2,4-Dimethylphenol	105-67-9	10	100	ND
57	Bis(2-chloroethoxy)methane	111-91-1	10	100	ND
58	2,4-Dichlorophenol	120-83-2	10	100	ND
59	1,2,4-Trichlorobenzene	120-82-1	10	100	ND
60	4-Chloroaniline	106-47-8	10	100	ND
61	Hexachlorobutadiene	87-68-3	10	100	ND
62	4-Chloro-3-methylphenol	59-50-7	10	100	ND
63	2-Methylnaphthalene	91-57-6	10	100	ND
64	Hexachlorocyclopentadiene	77-47-4	10	100	ND
65	2,4,6-Trichlorophenol	88-06-2	10	100	ND
66	2,4,5-Trichlorophenol	95-95-4	25	100	ND
67	2-Chloronaphthalene	91-58-7	10	100	ND
68	2-Nitroaniline	88-74-4	25	100	ND
69	Dimethyl phthalate	131-11-3	10	100	ND
70	Acenaphthylene	208-96-8	10	100	ND
71	2,6-Dinitrotoluene	606-20-2	10	100	ND
72	3-Nitroaniline	99-09-2	25	100	ND
73	Acenaphthene	83-32-9	10	100	ND
74	2,4-Dinitrophenol	51-28-5	25	250	ND
75	4-Nitrophenol	100-02-7	25	100	ND
76	Dibenzofuran	132-64-9	10	100	ND
77	2,4-Dinitrotoluene	121-14-2	10	100	ND
78	Diethyl phthalate	84-66-2	10	100	ND
79	4-Chlorophenyl phenyl ether	7005-72-3	10	100	ND
80	Fluorene	86-73-7	25	100	ND
81	4-Nitroaniline	100-01-6	25	100	ND
82	4,6-Dinitro-2-methylphenol	534-52-1	10	100	ND
83	N-Nitrosodiphenylamine	86-30-6	10	100	ND
84	4-Bromophenyl phenyl ether	101-55-3	10	100	ND
85	Hexachlorobenzene	118-74-1	10	100	ND
86	Pentachlorophenol	87-86-5	25	250	ND
87	Phenanthrene	85-01-8	10	100	ND
88	Anthracene	120-12-7	10	100	ND
89	Carbazole	86-74-8	10	100	ND
90	Di-n-butyl phthalate	84-74-2	10	100	ND
91	Fluoranthene	206-44-0	10	100	ND
92	Pyrene	129-00-0	10	100	ND
93	Butyl benzyl phthalate	85-68-7	10	100	ND
94	3,3'-Dichlorobenzidine	91-94-1	10	100	ND
95	Benzo[a]anthracene	56-55-3	10	100	ND
96	Chrysene	218-01-9	10	100	ND
97	Bis(2-ethylhexyl)phthalate	117-81-7	10	100	ND
98	Di-n-octyl phthalate	117-84-0	10	100	ND
99	Benzo[b]fluoranthene	205-99-2	10	100	ND
100	Benzo[k]fluoranthene	207-08-9	10	100	ND

SPECIAL DISCHARGE AUTHORIZATION PRIORITY POLLUTANT MONTHLY REPORT

ERW Site: Home Depot Store 26187
 Address: 4555 South Western
 City: Chicago State: IL Zip code: 606 Telephone: 215 808-0984

Reporting Period: April Sampling rate: 4/dos Final discharge sampling point: 97 + West End
 Final discharge sampling point effluent flow applicable to the reporting period: 15,000 (Gallons)

No.	Purgeables	CAS No.	QL Required (ug/L)	QL Attained (ug/L)	Analytical Results (ug/L)
1	Chloromethane	74-87-3	10	10	ND
2	Bromomethane	74-83-9	10	10	ND
3	Chloroethane	75-00-3	10	10	ND
4	Acetone	67-64-1	10	500	720
5	Carbon Disulfide	75-15-0	10	10	ND
6	1,1-Dichloroethene	75-35-4	10	5	ND
7	1,1-Dichloroethane	75-34-3	10	5	ND
8	1,2-Dichloroethene (Total)	540-59-0	10	5	ND
9	Bromodichloromethane	75-27-4	10	5	ND
10	1,2-Dichloropropane	78-87-5	10	5	ND
11	cis-1,3-Dichloropropene	10061-01-5	10	5	ND
12	Dibromochloromethane	124-48-1	10	5	ND
13	1,1,2-Trichloroethane	79-00-5	10	5	ND
14	trans-1,3-Dichloropropene	10061-02-6	10	5	ND
15	Bromoform	75-25-2	10	5	ND
16	Methyl Isobutyl Ketone	108-10-1	10	5	ND
17	2-Hexanone	591-78-6	10	10	21
18	1,1,1,2-Tetrachloroethane	79-34-5	10	5	ND
19	Acrolein	107-02-8	500*	100	ND
20	Acrylonitrile	107-13-1	500*	100	ND
21	Benzene	71-43-2	10	5	ND
22	1,3-Butadiene	106-99-0	ND**	50	ND
23	Chlorobenzene	108-90-7	10	5	ND
24	Chloroform	67-66-3	10	5	ND
25	1,2-Dichloroethane	107-06-2	10	5	ND
26	Methyl Ethyl Ketone	78-93-3	10	10	ND
27	Tetrachloroethene	127-18-4	10	5	ND
28	1,1,1-Trichloroethane	71-55-6	10	5	ND
29	Trichloroethene	79-01-6	10	5	ND
30	Carbon tetrachloride	56-23-5	10	5	ND
31	Ethylbenzene	100-41-4	10	5	ND
32	Ethylene Dibromide	106-93-4	10*	5	ND
33	1-Ethyl, 2 Methylbenzene	611-14-3	10*	10	ND
34	1,3,5-Trimethylbenzene	108-67-8	10*	5	ND
35	1,4-Dioxane	123-91-1	500*	150	ND
36	Toluene	108-88-3	10	5	ND
37	Styrene	100-42-5	10	5	ND
38	Vinyl chloride	75-01-4	10	10	ND
39	Dichloromethane	75-09-2	10	10	ND
40	Xylenes(total)	1330-20-7	10	5	ND

* Parameter not on CLP list. Quantitation limit based on acceptable laboratory capability.

** Not Determined.

No.	Base/Neutral/Acid Extractables (BNAs)	CAS No.	QL Required (ug/L)	QL Attained (ug/L)	Analytical Results (ug/L)
101	Benzo (a) pyrene	50-32-8	10		
102	Indeno(1,2,3-c,d)pyrene	193-39-5	10	0.20	ND
103	Dibenzo(a,h)anthracene	53-70-3	10	0.20	ND
104	Benzo(g,h,i)perylene	191-24-2	10	0.98	ND

No.	Pesticides and PCBs	CAS No.	QL Required (ug/L)	QL Attained (ug/L)	Analytical Results (ug/L)
105	Alpha-BHC	319-84-6	0.05		
106	Beta-BHC	319-85-7	0.05		
107	Delta-BHC	319-86-8	0.05		
108	Gamma-BHC (Lindane)	58-89-9	0.05		
109	Heptachlor	76-44-8	0.05		
110	Aldrin	309-00-2	0.05		
111	Heptachlor epoxide	1024-57-3	0.05		
112	Endosulfan I	959-98-8	0.05		
113	Dieldrin	60-57-1	0.10		
114	4,4'-DDE	72-55-9	0.10		
115	Endrin	72-20-8	0.10		
116	Endosulfan II	33213-65-9	0.10		
117	4,4'-DDD	72-54-8	0.10		
118	Endosulfan sulfate	1031-07-8	0.10		
119	4,4'-DDT	50-29-3	0.10		
120	Methoxychlor	72-43-5	0.50		
121	Endrin ketone	53494-70-5	0.10		
122	Endrin aldehyde	7421-93-4	0.10		
123	alpha-Chlordane	5103-71-9	0.05		
124	gamma-Chlordane	5103-74-2	0.05		
125	Toxaphene	8001-35-2	5.00		
126	Aroclor-1016	12674-11-2	1.00		
127	Aroclor-1221	11104-28-2	2.00		
128	Aroclor-1252	11141-16-5	1.00		
129	Aroclor-1242	53469-21-9	1.00		
130	Aroclor-1248	12672-29-6	1.00		
131	Aroclor-1254	11097-69-1	1.00		
132	Aroclor-1260	11096-82-5	1.00		

No.	Metals	Analytical Results (mg/L)
133	Antimony	
134	Arsenic	
135	Beryllium	
136	Cadmium	
137	Chromium (total)	
138	Copper	
139	Iron	
140	Lead	
141	Mercury	
142	Nickel	
143	Selenium	
144	Silver	
145	Thallium	
146	Zinc	

No.	Other Parameters	Analytical Results
147	Cyanide (total)	mg/L
148	Fats, Oils and Greases (total)	mg/L
149	pH	pH Units
150	Total VOCs *	ug/L

* Total VOCs is the arithmetic sum of the concentrations of Parameter Nos. 19 through 42.

REMINDER

Complete the Sample Collection Analysis and Report Certification on page four and submit form SDA-203 with copies of the certified laboratory analyses within 20 days after the close of the reporting month to:

Metropolitan Water Reclamation District of Greater Chicago
Enforcement Section
P.O. Box 10654
Chicago, IL 60610

SPECIAL DISCHARGE AUTHORIZATION REQUEST RAW WASTEWATER PRIORITY POLLUTANT REPORT

ERW Site: The former 22nd Street Station MGP Site

Address: 2200 South Racine Avenue

City: Chicago State: IL Zip Code: 60608 Telephone: (630) 669-9856 (cell)

Descriptive location of ERW Site raw wastewater sampling point:

Frac Tank

INDICATE SAMPLING POINT ON PLANT LAYOUT/FLOW DIAGRAM WHICH MUST ACCOMPANY FORM SDA-200

Sampling Date:

May 18, 2006

MONTH DAY YEAR

No.	Purgeables	CAS No.	QL Required (µg/L)	QL Attained (µg/L)	Analytical Results (µg/L)
1	Chloromethane	74-87-3	10	10	< 10
2	Bromomethane	74-83-9	10	10	< 10
3	Chloroethane	75-00-3	10	10	< 10
4	Acetone	67-64-1	10	10	12
5	Carbon Disulfide	75-15-0	10	5	< 5
6	1,1-Dichloroethene	75-35-4	10	5	< 5
7	1,1-Dichloroethane	75-34-3	10	5	< 5
8	1,2-Dichloroethene (total)	540-59-0	10	10	< 10
9	Bromodichloromethane	75-27-4	10	5	< 5
10	1,2-Dichloropropane	78-87-5	10	5	< 5
11	cis-1,3-Dichloropropene	10061-01-5	10	5	< 5
12	Dibromochloromethane	124-48-1	10	5	< 5
13	1,1,2-Trichloroethane	79-00-5	10	5	< 5
14	trans-1,3-Dichloropropene	10061-02-6	10	5	< 5
15	Bromoform	75-25-2	10	5	< 5
16	4-Methyl-2-pentanone	108-10-1	10	10	< 10
17	2-Hexanone	591-78-6	10	10	< 10
18	1,1,2,2-Tetrachloroethane	79-34-5	10	5	< 5
19	Acrolein	107-02-8	500 *	50	< 50
20	Acrylonitrile	107-13-1	500 *	5	< 5
21	Benzene	71-43-2	10	5	27
22	1,3-Butadiene	106-99-0	ND **	10	< 10
23	Chlorobenzene	108-90-7	10	5	< 5
24	Chloroform	67-66-3	10	5	< 5
25	1,2-Dichloroethane	107-06-2	10	5	< 5
26	Methylethyl Ketone	78-93-3	10	10	< 10
27	Tetrachloroethene	127-18-4	10	5	< 5
28	1,1,1-Trichloroethane	71-55-6	10	5	< 5
29	Trichloroethene	79-01-6	10	5	< 5
30	Carbon Tetrachloride	56-23-5	10	5	< 5
31	Ethylbenzene	100-41-4	10	5	< 5
32	Ethylene Dibromide	106-93-4	10 *	5	< 5
33	1-Ethyl-2-Methylbenzene	611-14-3	10 *	5	< 5
34	1,3,5-Trimethylbenzene	108-67-8	10 *	5	< 5
35	1,4-Dioxane	123-91-1	500 *	200	< 200
36	Toluene	108-88-3	10	5	< 5
37	Styrene	100-42-5	10	5	< 5
38	Vinyl Chloride	75-01-4	10	5	< 5
39	Dichloromethane	75-09-2	10	5	< 5
40	Xylenes (total)	1330-20-7	10	15	< 15

* Parameter not on CLP list. Quantitation limits based on acceptable laboratory capability

** Not Determined.

No.	Base/Neutral/Acid Extractables (BNAs)	CAS No.	QL Required (µg/L)	QL Attained (µg/L)	Analytical Results (µg/L)
41	1,4-Dichlorobenzene	106-46-7	10	10	< 10
42	Naphthalene	91-20-3	10	10	< 10
43	Phenol	108-95-2	10	10	15
44	bis(2-Chloroethyl) ether	111-44-4	10	10	< 10
45	2-Chlorophenol	95-57-8	10	10	< 10
46	1,3-Dichlorobenzene	541-73-1	10	10	< 10
47	1,2-Dichlorobenzene	95-50-1	10	10	< 10
48	2-Methylphenol	95-48-7	10	10	< 10
49	bis (2-Chloroisopropyl) ether	108-60-1	10	5	< 5
50	4-Methylphenol	106-44-5	10	10	< 10
51	N-Nitroso-di-n-propylamine	621-64-7	10	10	< 10
52	Hexachloroethane	67-72-1	10	10	< 10
53	Nitrobenzene	98-95-3	10	10	< 10
54	Isophorone	78-59-1	10	10	< 10
55	2-Nitrophenol	88-75-5	10	10	< 10
56	2,4-Dimethylphenol	105-67-9	10	10	< 10
57	bis(2-Chloroethoxy) methane	111-91-1	10	10	< 10
58	2,4-Dichlorophenol	120-83-2	10	10	< 10
59	1,2,4-Trichlorobenzene	120-82-1	10	10	< 10
60	4-Chloroaniline	106-47-8	10	10	< 10
61	Hexachlorobutadiene	87-68-3	10	10	< 10
62	4-Chloro-3-methylphenol	59-50-7	10	10	< 10
63	2-Methylnaphthalene	91-57-6	10	10	< 10
64	Hexachlorocyclopentadiene	77-47-4	10	10	< 10
65	2,4,6-Trichlorophenol	88-06-2	10	10	< 10
66	2,4,5-Trichlorophenol	95-95-4	25	25	< 25
67	2-Chloronaphthalene	91-58-7	10	10	< 10
68	2-Nitroaniline	88-74-4	25	10	< 10
69	Dimethylphthalate	131-11-3	10	10	< 10
70	Acenaphthylene	208-96-8	10	10	< 10
71	2,6-Dinitrotoluene	606-20-2	10	10	< 10
72	3-Nitroaniline	99-09-2	25	25	< 25
73	Acenaphthene	83-32-9	10	10	< 10
74	2,4-Dinitrophenol	51-28-5	25	25	< 25
75	4-Nitrophenol	100-02-7	25	25	< 25
76	Dibenzofuran	132-64-9	10	10	< 10
77	2,4-Dinitrotoluene	121-14-2	10	10	< 10
78	Diethylphthalate	84-66-2	10	10	< 10
79	4-Chlorophenyl-phenyl ether	7005-72-3	10	10	< 10
80	Fluorene	86-73-7	25	10	< 10
81	4-Nitroaniline	100-01-6	25	25	< 25
82	4,6-Dinitro-2-methylphenol	534-52-1	10	10	< 10
83	N-Nitrosodiphenylamine	86-30-6	10	10	< 10
84	4-Bromophenyl-phenyl ether	101-55-3	10	10	< 10
85	Hexachlorobenzene	118-74-1	10	10	< 10
86	Pentachlorophenol	87-86-5	25	25	< 25
87	Phenanthrene	85-01-8	10	10	< 10
88	Anthracene	120-12-7	10	10	< 10
89	Carbazole	86-74-8	10	25	< 25
90	Di-n-butylphthalate	84-74-2	10	10	< 10
91	Fluoranthene	206-44-0	10	10	< 10
92	Pyrene	129-00-0	10	10	< 10
93	Butylbenzylphthalate	85-68-7	10	10	< 10
94	3,3-Dichlorobenzidine	91-94-1	10	10	< 10
95	Benzo (a) anthracene	56-55-3	10	10	< 10
96	Chrysene	218-01-9	10	10	< 10
97	bis (2-Ethylhexyl) phthalate	117-81-7	10	10	< 10
98	Di-n-octylphthalate	117-84-0	10	10	< 10
99	Benzo (b) fluoranthene	205-99-2	10	10	< 10
100	Benzo (k) fluoranthene	207-08-9	10	10	< 10

No.	Base/Neutral/Acid Extractables (BNAs)	CAS No.	QL Required (µg/L)	QL Attained (µg/L)	Analytical Results (µg/L)
101	Benzo (a) pyrene	50-32-8	10	10	< 10
102	Indeno(1,2,3-c,d)pyrene	193-39-5	10	10	< 10
103	Dibenzo(a,h)anthracene	53-70-3	10	10	< 10
104	Benzo(g,h,i)perylene	191-24-2	10	10	< 10

No.	Pesticides and PCBs	CAS No.	QL Required (µg/L)	QL Attained (µg/L)	Analytical Results (µg/L)
105	Alpha-BHC	319-84-6	0.05	8	< 8
106	Beta-BHC	319-85-7	0.05	8	< 8
107	Delta-BHC	319-86-8	0.05	8	< 8
108	Gamma-BHC (Lindane)	58-89-9	0.05	8	< 8
109	Heptachlor	76-44-8	0.05	8	< 8
110	Aldrin	309-00-2	0.05	8	< 8
111	Heptachlor epoxide	1024-57-3	0.05	8	< 8
112	Endosulfan I	959-98-8	0.05	8	< 8
113	Dieldrin	60-57-1	0.10	8	< 8
114	4,4'-DDE	72-55-9	0.10	8	< 8
115	Endrin	72-20-8	0.10	8	< 8
116	Endosulfan II	33213-65-9	0.10	8	< 8
117	4,4'-DDD	72-54-8	0.10	8	< 8
118	Endosulfan Sulfate	1031-07-8	0.10	8	< 8
119	4,4'-DDT	50-29-3	0.10	8	< 8
120	Methoxychlor	72-43-5	0.50	8	< 8
121	Endrin ketone	53494-70-5	0.10	8	< 8
122	Endrin aldehyde	7421-93-4	0.10	8	< 8
123	alpha-Chlordane	5103-71-9	0.05	8	< 8
124	gamma-Chlordane	5103-74-2	0.05	80	< 80
125	Toxaphene	8001-35-2	5.00	8	< 8
126	Aroclor-1016	12674-11-2	1.00	0.5	< 0.5
127	Aroclor-1221	11104-28-2	2.00	0.5	< 0.5
128	Aroclor-1232	11141-16-5	1.00	0.5	< 0.5
129	Aroclor-1242	53469-21-9	1.00	0.5	< 0.5
130	Aroclor-1248	12672-29-6	1.00	0.5	< 0.5
131	Aroclor-1254	11097-69-1	1.00	0.5	< 0.5
132	Aroclor-1260	11096-82-5	1.00	0.5	< 0.5

No.	Metals	Analytical Results (mg/L)
133	Antimony	< 0.006
134	Arsenic	0.0052
135	Beryllium	0.0011
136	Cadmium	< 0.001
137	Chromium (total)	0.002
138	Copper	< 0.005
139	Iron	1.6
140	Lead	0.0072
141	Mercury	< 0.00025
142	Nickel	0.014
143	Selenium	0.0025
144	Silver	< 0.002
145	Thallium	< 0.002
146	Zinc	0.07

No.	Other Parameters	Analytical Results
147	Cyanide (total)	< 0.005 mg/L
148	Fats, Oils, and Greases (total)	< 12 mg/L
149	pH	7.8 pH Units
150	Total VOCs *	< 390 µg/L

* Total VOCs is the arithmetic sum of the concentrations of Parameters Nos. 19 through 42.

REMINDER:

Complete the Sample Collection, Analysis and Report Certification on page four and submit Form SDA-202 with copies of the certified laboratory analyses along with your Special Discharge Authorization Request to:

**Metropolitan Water Reclamation
District of Greater Chicago
Enforcement Section
P.O. Box 10654
Chicago, IL 60610**

SAMPLE COLLECTION, ANALYSIS AND REPORT CERTIFICATION

PART A

PERSON RESPONSIBLE FOR SAMPLE COLLECTION

I certify that samples were collected using approved USEPA procedures, that samples were properly preserved and labeled and that the chain-of-custody procedures were followed.

Name: Vic Ullal

Title: Environmental Engineer

Company: Burns & McDonnell

Address: 1431 Opus Place, Suite 400, Downers Grove, IL 60515

Signature: *Vic Ullal*

Date: 5/24/06

PART B

LABORATORY REPRESENTATIVE

I certify to the following: that proper chain-of-custody procedures were followed as documented on chain-of-custody forms; that all samples were labeled and that sample integrity was maintained by proper preservation; that quality assurance and quality control procedures were established and carried out; that sample holding times were not exceeded; that USEPA 600 and 1600 Series Methods were used for sample analysis; and that CLP practical quantitation limits for wastewater were met for each parameter. However, if quantitation limits were not achieved, as so indicated on this form, the reasons are as follows:

Name: Pinaki Banerjee

Title: Quality Assurance Director

Company: STAT Analysis Corporation

Address: 2201 West Campbell Park Drive Chicago, IL 60612

Signature: *Pinaki Banerjee*

Date: 5.25.06

PART C

COMPANY REPRESENTATIVE

I certify that all the information contained on this form is true and accurate, to the best of my knowledge and belief. I am aware that there are significant penalties for submitting false information, including the possibility of fines and imprisonment for knowing violations.

Name: Christopher F. Szela

Title: Project Manager

Company: Peoples Gas

Address: 130 E. Randolph Drive, 22nd Fl, Chicago, IL 60601

Signature: *Christopher F. Szela*

Date: 5-31-06

SPECIAL DISCHARGE AUTHORIZATION PRIORITY POLLUTANT MONTHLY REPORT

ERW Site: SEARS ROEBUCK & COMPANY
 Address: 1640 N. HALSTED AVENUE
 City: EDMUNDO PARK State: IL Zip Code: 60425 Telephone: 708/231-1370

Reporting period: 07 08 Sampling date: 7-8-08 Final discharge sampling point: 7011
 Final discharge sampling point: 7011 Final discharge sampling point flow applicable to the reporting period: 35.2 (gallons)

No.	Purgeable	CAS No.	QL Required (mg/L)	QL Attained (ug/L)	Analytical Results (ug/L)
1	Chloromethane	74-87-3	10	3	
2	Bromomethane	74-83-9	10	4	
3	Chloroethane	75-00-3	10	4	
4	Acetone	67-64-1	10	10	
5	Carbon Disulfide	75-15-0	10	1	
6	1,1-Dichloroethene	75-35-4	10	2	
7	1,1-Dichloroethane	75-34-3	10	1	
8	1,2-Dichloroethene (total)	540-59-0	10	1	
9	Bromodichloromethane	75-27-4	10	1	
10	1,2-Dichloropropane	78-87-5	10	1	
11	cis-1,3-Dichloropropene	10061-01-5	10	5	
12	Dibromochloromethane	124-48-1	10	5	
13	1,1,2-Trichloroethane	79-00-5	10	1	
14	trans-1,3 Dichloropropene	10061-02-6	10	5	
15	Bromoform	75-25-2	10	3	
16	4 Methyl 2 pentanone	108-10-1	10	10	
17	2 Hexanone	591-78-6	10	10	
18	1,1,2,2-Tetrachloroethane	79-34-5	10	1	
19	Acrolein	107-02-8	500 *	10	
20	Acrylonitrile	107-13-1	500 *	10	
21	Benzene	71-43-2	10	0.15	
22	1,3-Butadiene	106-99-0	ND **	ND	
23	Chlorobenzene	108-90-7	10	1	
24	Chloroform	67-66-3	10	1	
25	1,2-Dichloroethane	107-06-2	10	1	
26	Methylethyl Ketone	78-93-3	10	10	
27	Tetrachloroethene	127-18-4	10	1	
28	1,1,1-Trichloroethane	71-55-6	10	1	
29	Trichloroethene	79-01-6	10	1	
30	Carbon Tetrachloride	56-23-5	10	2	
31	Ethylbenzene	100-41-4	10	1	
32	Ethylene Dibromide	106-93-4	10 *	10	
33	1 Ethyl, 3 Methylbenzene	611-14-3	10 *	ND	
34	1,3,5-Trimethylbenzene	108-67-8	10 *	1	
35	1,4-Dioxane	123-91-1	500 *	20	
36	Toluene	108-88-3	10	1	
37	Styrene	100-42-5	10	1	
38	Vinyl Chloride	75-01-3	10	1	
39	Dichloromethane	75-09-2	10	5	
40	Xylenes (total)	1330-20-7	10	2	

* Parameter not on CLP list. Quantitation limit based on acceptable laboratory capability.
 ** Not Determined.

No.	Base/Neutral/Acid- Extractables (BNAs)	CAS No.	QL Required (ug/L)	QL Attained (ug/L)	Analytical Results (ug/L)
41	1,4-Dichlorobenzene	106-46-7	10	10	
42	Napthalene	91-20-3	10	10	
43	Phenol	108-95-2	10	10	
44	bis (2-Chloroethyl) ether	111-44-4	10	10	
45	2-Chlorophenol	95-57-8	10	10	
46	1,3-Dichlorobenzene	541-75-1	10	10	
47	1,2-Dichlorobenzene	95-50-1	10	10	
48	2-Methylphenol	95-48-7	10	10	
49	bis(2-Chloroisopropyl) ether	108-60-1	10	10	
50	4-Methylphenol	106-44-5	10	10	
51	N-Nitroso-di-n-propylamine	621-64-7	10	10	
52	Hexachloroethane	67-72-1	10	10	
53	Nitrobenzene	98-95-3	10	10	
54	Isophorone	78-59-1	10	10	
55	2-Nitrophenol	88-75-5	10	10	
56	2,4-Dimethylphenol	105-67-9	10	10	
57	bis(2-Chloroethoxy) methane	111-91-1	10	10	
58	2,4-Dichlorophenol	120-83-2	10	10	
59	1,2,4-Trichlorobenzene	120-82-1	10	10	
60	4-Chloroaniline	106-47-8	10	10	
61	Hexachlorobutadiene	87-68-3	10	10	
62	4-Chloro-3-methylphenol	59-50-7	10	10	
63	2-Methylnapthalene	91-57-6	10	10	
64	Hexachlorocyclopentadiene	77-47-4	10	10	
65	2,4,6-Trichlorophenol	88-06-2	10	10	
66	2,4,5-Trichlorophenol	95-95-4	25	10	
67	2-Chloronapthalene	91-58-7	10	10	
68	2-Nitroaniline	88-74-4	25	10	
69	Dimethylphthalate	131-11-3	10	10	
70	Acenaphthylene	208-96-8	10	10	
71	2,6-Dinitrotoluene	606-20-2	10	10	
72	3-Nitroaniline	99-09-2	25	10	
73	Acenaphthene	83-32-9	10	10	
74	2,4-Dinitrophenol	51-28-5	25	10	
75	4-Nitrophenol	100-02-7	25	10	
76	Dibenzofuran	132-64-9	10	10	
77	2,4-Dinitrotoluene	121-14-2	10	10	
78	Diethylphthalate	84-66-2	10	10	
79	4-Chlorophenyl-phenyl ether	7005-72-3	10	10	
80	Fluorene	86-73-7	25	10	
81	4-Nitroaniline	100-01-6	25	10	
82	4,6-Dinitro-2-methylphenol	534-52-1	10	10	
83	N-Nitrosodiphenylamine	86-30-6	10	10	
84	4-Bromophenyl-phenyl ether	101-55-3	10	10	
85	Hexachlorobenzene	118-74-1	10	10	
86	Pentachlorophenol	87-86-5	25	10	
87	Phenanthrene	85-01-8	10	10	
88	Anthracene	120-12-7	10	10	
89	Carbazole	86-74-8	10	10	
90	Di-n-butylphthalate	84-74-2	10	10	
91	Flouranthene	206-44-0	10	10	
92	Pyrene	129-00-0	10	10	
93	Butylbenzylphthalate	85-68-7	10	10	
94	3,3-Dichlorobenzidine	91-94-1	10	10	
95	Benzo (a) anthracene	56-55-3	10	10	
96	Chrysene	218-01-9	10	10	
97	bis (2-Ethylhexyl) phthalate	117-81-7	10	10	
98	Di-n-octylphthalate	117-84-0	10	10	
99	Benzo (b) flouranthene	205-99-3	10	10	
100	Benzo (k) flouranthene	207-08-9	10	10	

No.	Base/Neutral/Acid Extractables (BNAs)	CAS No.	QL Required (ug/L)	QL Attained (ug/L)	Analytical Results (ug/L)
101	Benzo (a) pyrene	50-32-8	10	10	
102	Indeno(1,2,3-c,d)pyrene	193-39-5	10	10	
103	Dibenzo(a,h)anthracene	53-70-3	10	10	
104	Benzo(g,h,i)perylene	191-24-2	10	10	

No.	Pesticides and PCBs	CAS No.	QL Required (ug/L)	QL Attained (ug/L)	Analytical Results (ug/L)
105	Alpha-BHC	319-84-6	0.05	0.05	
106	Beta-BHC	319-85-7	0.05	0.05	
107	Delta-BHC	319-86-8	0.05	0.05	
108	Gamma-BHC (Lindane)	58-89-9	0.05	0.05	
109	Heptachlor	76-44-8	0.05	0.05	
110	Aldrin	309-00-2	0.05	0.05	
111	Heptachlor epoxide	1024-57-3	0.05	0.05	
112	Endosulfan I	959-98-8	0.05	0.05	
113	Dieldrin	60-57-1	0.10	0.10	
114	4,4'-DDE	72-55-9	0.10	0.10	
115	Endrin	72-20-8	0.10	0.10	
116	Endosulfan II	33213-65-9	0.10	0.10	
117	4,4'-DDD	72-54-8	0.10	0.10	
118	Endosulfan sulfate	1031-07-8	0.10	0.10	
119	4,4'-DDT	50-29-3	0.10	0.10	
120	Methoxychlor	72-43-5	0.50	0.10	
121	Endrin ketone	53494-70-5	0.10	0.10	
122	Endrin aldehyde	7421-93-4	0.10	0.10	
123	alpha-Chlordane	5103-71-9	0.05	0.05	
124	gamma-Chlordane	5103-74-2	0.05	0.05	
125	Toxaphene	8001-35-2	5.00	10	
126	Aroclor-1016	12674-11-2	1.00	0.5	
127	Aroclor-1221	11104-28-2	2.00	1	
128	Aroclor-1232	11141-16-5	1.00	0.5	
129	Aroclor-1242	53469-21-9	1.00	0.5	
130	Aroclor-1248	12672-29-6	1.00	0.5	
131	Aroclor-1254	11097-69-1	1.00	0.5	
132	Aroclor-1260	11096-82-5	1.00	0.5	

No.	Metals	Analytical Results (ug/L)
133	Antimony	< 0.006
134	Arsenic	0.0362
135	Beryllium	< 0.0010
136	Cadmium	< 0.0003
137	Chromium (total)	< 0.020
138	Copper	< 0.020
139	Iron	14.0
140	Lead	< 0.0040
141	Mercury	< 0.0002
142	Nickel	< 0.050
143	Selenium	< 0.005
144	Silver	< 0.001
145	Thallium	< 0.0002
146	Zinc	0.069

No.	Other Parameters	Analytical Results
147	Cyanide (total)	< 0.01 mg/L
148	Fats, Oils and Greases (total)	< 5.00 mg/L
149	pH	7.5 pH Units
150	Total VOCs *	< 100 ug/L

* Total VOCs is the arithmetic sum of the concentrations of Parameter Nos. 19 through 42.

RECEIVED

Complete Sample Collection
Analysis and Report Generation
on page 1006 and submission on
SDA-203 with copies of the con-
cerned laboratory analyses within
20 days after the close of the
reporting month.

Municipal Water Reclamation
District of Greater Chicago

Enforcement Section
P.O. Box 10654
Chicago, IL 60610

SAMPLE COLLECTION, ANALYSIS AND REPORT CERTIFICATION

PART A PERSON RESPONSIBLE FOR SAMPLE COLLECTION

I certify that samples were collected using approved USEPA procedure, that samples were properly preserved and labeled and that chain-of-custody procedures were followed.

Name: George Kobylanski Title: Environmental Manager

Company: EMRO Environmental Services Address: 408 W. 1st St. South Hill, PA

Signature: [Signature] Date: 10/16/03

PART B LABORATORY REPRESENTATIVE

I certify to the following: that proper chain-of-custody procedures were followed as documented on chain-of-custody forms; that all samples were labeled and that sample integrity was maintained by proper preservation; that quality assurance and quality control procedures were established and carried out; that sample holding times were not exceeded; that USEPA 600 and 600 Series Methods were used for sample analysis, and that CEP practical quantitation limits for waste water were met for each parameter. However, if quantitation limits were not achieved, as so indicated on this form, the reasons are as follows:

Name: Shawn Hayes Title: Project Manager

Company: Test America Address: 704 Enterprise Drive, Cedar Falls, IA 50613

Signature: [Signature] Date: 10/16/03

PART C COMPANY REPRESENTATIVE

I certify that all the information contained on this form is true and accurate, to the best of my knowledge and belief. I am aware that there are significant penalties for submitting false information, including the possibility of fines and imprisonment for knowing violations.

Name: George Kobylanski Title: Environmental Manager

Company: EMRO Environmental Services Address: 408 W. 1st St. South Hill, PA

Signature: [Signature] Date: 10/16/03

SPECIAL DISCHARGE AUTHORIZATION REQUEST PRIORITY POLLUTANT MONTHLY REPORT

ERW Site: Union Pacific Railroad Company - Proviso Yard			
Address: 5050 West Lake Street			
City: Melrose Park	State: IL	Zip: 60160	Telephone: (708) 649-5912

Descriptive location of ERW Site raw wastewater sampling point WWTP Outfall at MH 22	Sampling Date 7/19/2005
---	----------------------------

No.	Purgeables	CAS No.	QL Required (µg/L)	QL Attained (µg/L)	Analytical Results (µg/L)
1	Chloromethane	74-87-3	10	NA	NA
2	Bromomethane	74-83-9	10	NA	NA
3	Chloroethane	75-00-3	10	NA	NA
4	Acetone	67-64-1	10	200	841
5	Carbon disulfide	75-15-0	10	NA	NA
6	1,1-Dichloroethene	75-35-4	10	NA	NA
7	1,1-Dichloroethane	75-34-3	10	NA	NA
8	1,2-Dichloroethene, Total	540-59-0	10	NA	NA
9	Bromodichloromethane	75-27-4	10	NA	NA
10	1,2-Dichloropropane	78-87-5	10	NA	NA
11	1,3-cis-Dichloropropene	10061-01-5	10	NA	NA
12	Dibromochloromethane	124-48-1	10	NA	NA
13	1,1,2-Trichloroethane	79-00-5	10	NA	NA
14	1,3-trans-Dichloropropene	10061-02-6	10	NA	NA
15	Bromoform	75-25-2	10	NA	NA
16	Methyl isobutyl ketone	108-10-1	10	NA	NA
17	2-Hexanone	591-78-6	10	NA	NA
18	1,1,1,2-Tetrachloroethane	79-34-5	10	NA	NA
19	Acrolein	107-02-8	500	NA	NA
20	Acrylonitrile	107-13-1	500	NA	NA
21	Benzene	71-43-2	10	2.5	5.4
22	1,3-Butadiene	106-99-0	ND	NA	NA
23	Chlorobenzene	108-90-7	10	NA	NA
24	Chloroform	67-66-3	10	NA	NA
25	1,2-Dichloroethane	107-06-2	10	NA	NA
26	Methyl ethyl ketone (MEK)	78-93-3	10	NA	NA
27	Tetrachloroethene	127-18-4	10	NA	NA
28	1,1,1-Trichloroethane	71-55-6	10	NA	NA
29	Trichloroethylene	79-01-6	10	NA	NA
30	Carbon tetrachloride	56-23-5	10	NA	NA
31	Ethylbenzene	100-41-4	10	10.0	17.0
32	1,2-Dibromoethane (EDB)	106-93-4	10	NA	NA
33	1-Ethyl-2-Methylbenzene	611-14-3	10	lib	ND
34	1,3,5-Trimethylbenzene	108-67-8	10	10.0	16.0
35	1,4-Dioxane	123-91-1	500	NA	NA
36	Toluene	108-88-3	10	10.0	32.0
37	Styrene	100-42-5	10	NA	NA
38	Vinyl chloride	75-01-4	10	NA	NA
39	Methylene chloride	75-09-2	10	NA	NA
40	Xylenes, Total	1330-20-7	10	20.0	89.0

No.	Base/Neutral/Acid Extractables (BNAs)	CAS No.	QL Required (µg/L)	QL Attained (µg/L)	Analytical Results (µg/L)
41	1,4-Dichlorobenzene	106-46-7	10	NA	NA
42	Naphthalene	91-20-3	10	50.0	64.0
43	Phenol	108-95-2	10	50.0	110
44	Bis(2-chloroethyl)ether	111-44-4	10	NA	NA
45	2-chlorophenol	95-57-8	10	NA	NA
46	1,3-Dichlorobenzene	541-73-1	10	NA	NA
47	1,2-Dichlorobenzene	95-50-1	10	NA	NA
48	2-Methylphenol	95-48-7	10	50.0	<50
49	Bis(2chloroisopropyl)ether	108-60-1	10	NA	NA
50	4-Methylphenol	106-44-5	10	50.0	<50
51	N-Nitrosodi-n-propylamine	621-64-7	10	NA	NA
52	Hexachloroethane	67-72-1	10	NA	NA
53	Nitrobenzene	98-95-3	10	NA	NA
54	Isophorone	78-59-1	10	NA	NA
55	2-Nitrophenol	88-75-5	10	NA	NA
56	2,4-Dimethylphenol	105-67-9	10	50.0	<50
57	Bis(2-chloroethoxy)methane	111-91-1	10	NA	NA
58	2,4-Dichlorophenol	120-83-2	10	NA	NA
59	1,2,4-Trichlorobenzene	120-82-1	10	NA	NA
60	4-Chloroaniline	106-47-8	10	NA	NA
61	Hexachloro-1,3-butadiene	87-68-3	10	NA	NA
62	4-Chloro-3-methylphenol	59-50-7	10	NA	NA
63	2-Methylnaphthalene	91-57-6	10	50.0	222
64	Hexachlorocyclopentadiene	77-47-4	10	NA	NA
65	2,4,6-Trichlorophenol	88-06-2	10	NA	NA
66	2,4,5-Trichlorophenol	95-95-4	25	NA	NA
67	2-Chloronaphthalene	91-58-7	10	NA	NA
68	2-Nitroaniline	88-74-4	25	NA	NA
69	Dimethyl phthalate	131-11-3	10	NA	NA
70	Acenaphthylene	208-96-8	10	NA	NA
71	2,6-Dinitrotoluene	606-20-2	10	NA	NA
72	3-Nitroaniline	99-09-2	25	NA	NA
73	Acenaphthene	83-32-9	10	50.0	<50
74	2,4-Dinitrophenol	51-28-5	25	50.0	<50
75	4-Nitrophenol	100-02-7	25	NA	NA
76	Dibenzofuran	132-64-9	10	NA	NA
77	2,4-Dinitrotoluene	121-14-2	10	50.0	<50
78	Diethyl phthalate	84-66-2	10	NA	NA
79	4-Chlorophenylphenyl ether	7005-72-3	10	NA	NA
80	Fluorene	86-73-7	25	NA	NA
81	4-Nitroaniline	100-01-6	25	NA	NA
82	2-Methyl-4,6-dinitrophenol	534-52-1	10	NA	NA
83	N-Nitrosodiphenylamine	86-30-6	10	NA	NA
84	4-Bromophenyl phenyl ether	101-55-3	10	NA	NA
85	Hexachlorobenzene	118-74-1	10	NA	NA
86	Pentachlorophenol	87-86-5	25	NA	NA
87	Phenanthrene	85-01-8	10	50.0	83.8
88	Anthracene	120-12-7	10	NA	NA
89	Carbazole	86-74-8	10	50.0	<50
90	Di-n-butylphthalate	84-74-2	10	NA	NA
91	Fluoranthene	206-44-0	10	NA	NA
92	Pyrene	129-00-0	10	NA	NA
93	Benzyl butyl phthalate	85-68-7	10	NA	NA
94	3,3-Dichlorobenzidine	91-94-1	10	NA	NA
95	Benzo(a)anthracene	56-55-3	10	NA	NA
96	Chrysene	218-01-9	10	NA	NA
97	Bis(2-ethylhexyl)phthalate	117-81-7	10	NA	NA
98	Di-n-octylphthalate	117-84-0	10	NA	NA
99	Benzo(b)fluoranthene	205-99-2	10	NA	NA
100	Benzo(k)fluoranthene	207-08-9	10	NA	NA

No.	Base/Neutral/Acid Extractables (BNAs)	CAS No.	QL Required (µg/L)	QL Attained (µg/L)	Analytical Results (µg/L)
101	Benzo(a)pyrene	50-32-8	10	NA	NA
102	Indeno(1,2,3-cd)pyrene	193-39-5	10	NA	NA
103	Dibenzo(a,h)anthracene	53-70-3	10	NA	NA
104	Benzo(ghi)perylene	191-24-2	10	NA	NA
No.	Pesticides and PCBs	CAS No.	QL Required (µg/L)	QL Attained (µg/L)	Analytical Results (µg/L)
105	alpha-BHC	319-84-6	0.05	NA	NA
106	beta-BHC	319-85-7	0.05	NA	NA
107	delta-BHC	319-86-8	0.05	NA	NA
108	gamma-BHC	58-89-9	0.05	NA	NA
109	Heptachlor	76-44-8	0.05	NA	NA
110	Aldrin	309-00-2	0.05	NA	NA
111	Heptachlor Epoxide	1024-57-3	0.05	NA	NA
112	Endosulfan I	115-29-7	0.05	NA	NA
113	Dieldrin	60-57-1	0.10	NA	NA
114	4,4'-DDE	72-55-9	0.10	NA	NA
115	Endrin	72-20-8	0.10	NA	NA
116	Endosulfan II	33213-65-9	0.10	NA	NA
117	4,4'-DDD	72-54-8	0.10	NA	NA
118	Endosulfan Sulfate	103-07-8	0.10	NA	NA
119	4,4'-DDT	50-29-3	0.10	NA	NA
120	Methoxychlor	72-43-5	0.50	NA	NA
121	Endrin ketone	53494-70-5	0.10	NA	NA
122	Endrin Aldehyde	7421-93-4	0.10	NA	NA
123	alpha-Chlorodane	5103-71-9	0.05	NA	NA
124	gamma-Chlorodane	5103-74-2	0.05	NA	NA
125	Toxaphene	8001-35-2	5.0	NA	NA
126	PCB-1016	12674-11-2	1.0	NA	NA
127	PCB-1221	11104-28-2	2.0	NA	NA
128	PCB-1232	11141-16-5	1.0	NA	NA
129	PCB-1242	53469-21-9	1.0	NA	NA
130	PCB-1248	12672-29-6	1.0	NA	NA
131	PCB-1254	11097-69-1	1.0	NA	NA
132	PCB-1260	11096-82-5	1.0	NA	NA
No.	Metals	CAS No.	Analytical Results (mg/L)		
133	Antimony, (GFAA)	7440-36-0	NA		
134	Arsenic, (GFAA)	7440-38-2	NA		
135	Beryllium, (GFAA)	7440-41-7	NA		
136	Cadmium, (GFAA)	7440-43-9	0.0007		
137	Chromium, (ICP)	7440-47-3	NA		
138	Copper, (ICP)	7440-50-8	0.04		
139	Iron, (ICP)	7439-89-6	2.39		
140	Lead, (GFAA)	7439-92-1	0.0048		
141	Mercury, Cold Vapor	7439-97-6	NA		
142	Nickel, (ICP)	7440-02-0	NA		
143	Selenium, (GFAA)	7782-49-2	NA		
144	Silver, (GFAA)	7440-22-4	NA		
145	Thallium, (GFAA)	7440-28-0	NA		
146	Zinc, (ICP)	7440-66-6	0.149		
No.	Other Parameters	CAS No.	Analytical Results	UNITS	
147	Cyanide, Total	57-12-5	<0.010	mg/L	
148	Oil & Grease - Hexane (LLE)		56	mg/L	
149	pH		6.7	units	
150	Total VOCs (sum of compounds 19 to 42)		223.4	ug/L	

NA Not applicable to approved reduced parameter list
lib Laboratory library search conducted

SAMPLE COLLECTION, ANALYSIS AND REPORT CERTIFICATION

PART A PERSON RESPONSIBLE FOR SAMPLE COLLECTION

I certify that samples were collected using approved USEPA procedures; that samples were properly preserved and labeled and that chain of custody procedures were followed.

Name: Gregory H. Gehrig

Title: Staff Engineer

Company: TRC Environmental Corp.

Address: 10 South Riverside Plaza, Ste. 1070, Chicago, IL

Signature: 

Date: 8/3/05

PART B LABORATORY REPRESENTATIVE

I certify to the following: that proper chain-of-custody procedures were followed as documented on chain-of-custody forms; that all samples were labeled and that sample integrity was maintained by proper preservation; that quality assurance and quality control procedures were established and carried out; that sample holding times were not exceeded; that USEPA 600 and 1600 Series Methods were used for sample analysis; and that CLP practical quantitation limits for wastewater were met for each parameter. However, if quantitation limits were not achieved, as so indicated on this form the reasons are as follows:

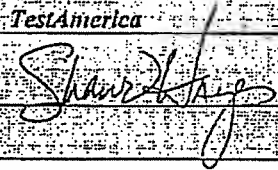
Due to the sample matrix the BPA analysis was run at a 1:5 dilution.

Name: Shawn Hayes

Title: Project Manager

Company: TestAmerica

Address: 704 Enterprise Drive, Cedar Falls, IA 50615

Signature: 

Date: 8/3/05

PART C COMPANY REPRESENTATIVE

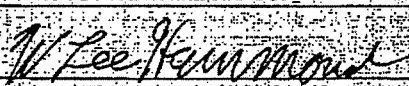
I certify that all the information contained on this form is true and accurate, to the best of my knowledge and belief. I am aware that there are significant penalties for submitting false information, including the possibility of fines and imprisonment for knowing violations.

Name: W. Lee Hammond

Title: Manager, Environmental Field Operations

Company: Union Pacific Railroad Co.

Address: 1400 Douglas St., STOP 1080, Omaha, NE 68179

Signature: 

Date: 8-5-2005

Water Discharge Log
 Environmental Remediation Wastewater (ERW) SDA 12404-1
 Union Pacific Railroad Company - Proviso Yard

Metered Discharge

Date	Time	Location	Meter Reading (10s of gallons)	Total flow since last reading (Gallons)
NA	NA	NA	NA	NA

Batch Discharges

Date	Time	Batch Discharge Location	Amount of Discharge (gallons)
6/27-7/1/2005	continuous	Sewer pipe pit	6,000
7/1/2005	8:00	East Ditch	1,000
7/5/2005	8:00	East Ditch	1,000
7/8/2005	14:00	East Ditch	1,000
7/11/2005	9:00	East Ditch	1,000
7/12/2005	10:00	Excavation pit	500
7/13/2005	11:00	East Ditch	1,000
7/18/2005	8:00	East Ditch	1,000
7/18-7/20/2005	continuous	Sewer pipe pit	20,000
7/20/2005	9:00	East Ditch	1,000
7/22/2005	8:00	East Ditch	1,000
7/25/2005	9:00	East Ditch	1,000
7/29/2005	9:00	East Ditch	1,000

Total ERW Discharge 36,500 gallons

Total cost \$1,095.00 dollars

SUPPLEMENTAL APPLICATION INFORMATION

PART G. COMBINED SEWER SYSTEMS

If the treatment works has a combined sewer system, complete Part G.

G.1. System Map. Provide a map indicating the following: (may be included with Basic Application Information)

- a. All CSO discharge points. see attachment
- b. Sensitive use areas potentially affected by CSOs (e.g., beaches, drinking water supplies, shellfish beds, sensitive aquatic ecosystems, and outstanding natural resource waters).
- c. Waters that support threatened and endangered species potentially affected by CSOs.

G.2. System Diagram. Provide a diagram, either in the map provided in G.1. or on a separate drawing, of the combined sewer collection system that includes the following information: see attachment

- a. Locations of major sewer trunk lines, both combined and separate sanitary.
- b. Locations of points where separate sanitary sewers feed into the combined sewer system.
- c. Locations of in-line and off-line storage structures.
- d. Locations of flow-regulating devices.
- e. Locations of pump stations.

CSO OUTFALLS:

Complete questions G.3 through G.6 once for each CSO discharge point.

G.3. Description of Outfall.

a. Outfall number 131

b. Location County Forest Preserve 60068
(City or town, if applicable) (Zip Code)

Cook Illinois
(County) (State)

41°59'42" 87°51'30"
(Latitude) (Longitude)

c. Distance from shore (if applicable) 0 ft.

d. Depth below surface (if applicable) _____ ft.

e. Which of the following were monitored during the last year for this CSO?

Rainfall CSO pollutant concentrations CSO frequency
 CSO flow volume Receiving water quality

f. How many storm events were monitored during the last year? 33

G.4. CSO Events.

a. Give the number of CSO events in the last year.
1 events (actual or approx.)

b. Give the average duration per CSO event.
19:51:15 hours (actual or approx.)

- c. Give the average volume per CSO event.
_____ million gallons (_____ actual or _____ approx.)
- d. Give the minimum rainfall that caused a CSO event in the last year.
0.90 inches of rainfall

G.5. Description of Receiving Waters.

- a. Name of receiving water: Des Plaines River
- b. Name of watershed/river/stream system: Des Plaines
United States Soil Conservation Service 14-digit watershed code (if known): _____
- c. Name of State Management/River Basin: Illinois River
United States Geological Survey 8-digit hydrologic cataloging unit code (if known): _____

G.6. CSO Operations.

Describe any known water quality impacts on the receiving water caused by this CSO (e.g., permanent or intermittent beach closings, permanent or intermittent shell fish bed closings, fish kills, fish advisories, other recreational loss, or violation of any applicable State water quality standard).

See attached "2004 Annual Summary Report - Water Quality within the Waterways System of the Metropolitan Water Reclamation District of Greater Chicago" August 2005 for all CSO outfalls.

**END OF PART G.
REFER TO THE APPLICATION OVERVIEW TO DETERMINE WHICH OTHER PARTS OF
FORM 2A YOU MUST COMPLETE.**

SUPPLEMENTAL APPLICATION INFORMATION

PART G. COMBINED SEWER SYSTEMS

If the treatment works has a combined sewer system, complete Part G.

G.1. System Map. Provide a map indicating the following: (may be included with Basic Application Information)

- a. All CSO discharge points.
- b. Sensitive use areas potentially affected by CSOs (e.g., beaches, drinking water supplies, shellfish beds, sensitive aquatic ecosystems, and outstanding natural resource waters).
- c. Waters that support threatened and endangered species potentially affected by CSOs.

G.2. System Diagram. Provide a diagram, either in the map provided in G.1. or on a separate drawing, of the combined sewer collection system that includes the following information:

- a. Locations of major sewer trunk lines, both combined and separate sanitary.
- b. Locations of points where separate sanitary sewers feed into the combined sewer system.
- c. Locations of in-line and off-line storage structures.
- d. Locations of flow-regulating devices.
- e. Locations of pump stations.

CSO OUTFALLS:

Complete questions G.3 through G.6 once for each CSO discharge point.

G.3. Description of Outfall.

a. Outfall number 132

b. Location County Forest Preserve 60068
(City or town, if applicable) (Zip Code)

Cook Illinois
(County) (State)

41°59'08" 87°51'23"
(Latitude) (Longitude)

c. Distance from shore (if applicable) 0 ft.

d. Depth below surface (if applicable) _____ ft.

e. Which of the following were monitored during the last year for this CSO?

Rainfall _____ CSO pollutant concentrations CSO frequency
 CSO flow volume _____ Receiving water quality

f. How many storm events were monitored during the last year? 33

G.4. CSO Events.

a. Give the number of CSO events in the last year.
2 events (actual or _____ approx.)

b. Give the average duration per CSO event.
2:07:31 hours (actual or _____ approx.)

- c. Give the average volume per CSO event.
_____ million gallons (____ actual or ____ approx.)
- d. Give the minimum rainfall that caused a CSO event in the last year.
0.69 inches of rainfall

G.5. Description of Receiving Waters.

- a. Name of receiving water: Des Plaines River
- b. Name of watershed/river/stream system: Des Plaines
United States Soil Conservation Service 14-digit watershed code (if known): _____
- c. Name of State Management/River Basin: Illinois River
United States Geological Survey 8-digit hydrologic cataloging unit code (if known): _____

G.6. CSO Operations.

Describe any known water quality impacts on the receiving water caused by this CSO (e.g., permanent or intermittent beach closings, permanent or intermittent shell fish bed closings, fish kills, fish advisories, other recreational loss, or violation of any applicable State water quality standard).

**END OF PART G.
REFER TO THE APPLICATION OVERVIEW TO DETERMINE WHICH OTHER PARTS OF
FORM 2A YOU MUST COMPLETE.**

SUPPLEMENTAL APPLICATION INFORMATION

PART G. COMBINED SEWER SYSTEMS

If the treatment works has a combined sewer system, complete Part G.

G.1. System Map. Provide a map indicating the following: (may be included with Basic Application Information)

- a. All CSO discharge points.
- b. Sensitive use areas potentially affected by CSOs (e.g., beaches, drinking water supplies, shellfish beds, sensitive aquatic ecosystems, and outstanding natural resource waters).
- c. Waters that support threatened and endangered species potentially affected by CSOs.

G.2. System Diagram. Provide a diagram, either in the map provided in G.1. or on a separate drawing, of the combined sewer collection system that includes the following information:

- a. Locations of major sewer trunk lines, both combined and separate sanitary.
- b. Locations of points where separate sanitary sewers feed into the combined sewer system.
- c. Locations of in-line and off-line storage structures.
- d. Locations of flow-regulating devices.
- e. Locations of pump stations.

CSO OUTFALLS:

Complete questions G.3 through G.6 once for each CSO discharge point.

G.3. Description of Outfall.

a. Outfall number 133

b. Location County Forest Preserve 60176
(City or town, if applicable) (Zip Code)

Cook Illinois
(County) (State)

41°58'22" 87°51'20"
(Latitude) (Longitude)

c. Distance from shore (if applicable) 0 ft.

d. Depth below surface (if applicable) _____ ft.

e. Which of the following were monitored during the last year for this CSO?

Rainfall CSO pollutant concentrations CSO frequency
 CSO flow volume Receiving water quality

f. How many storm events were monitored during the last year? 33

G.4. CSO Events.

a. Give the number of CSO events in the last year.
1 events (actual or approx.)

b. Give the average duration per CSO event.
34:30:22 hours (actual or approx.)

- c. Give the average volume per CSO event.
_____ million gallons (____ actual or ____ approx.)
- d. Give the minimum rainfall that caused a CSO event in the last year.
0.90 inches of rainfall

G.5. Description of Receiving Waters.

- a. Name of receiving water: Des Plaines River
- b. Name of watershed/river/stream system: Des Plaines
United States Soil Conservation Service 14-digit watershed code (if known): _____
- c. Name of State Management/River Basin: Illinois River
United States Geological Survey 8-digit hydrologic cataloging unit code (if known): _____

G.6. CSO Operations.

Describe any known water quality impacts on the receiving water caused by this CSO (e.g., permanent or intermittent beach closings, permanent or intermittent shell fish bed closings, fish kills, fish advisories, other recreational loss, or violation of any applicable State water quality standard).

**END OF PART G.
REFER TO THE APPLICATION OVERVIEW TO DETERMINE WHICH OTHER PARTS OF
FORM 2A YOU MUST COMPLETE.**

SUPPLEMENTAL APPLICATION INFORMATION

PART G. COMBINED SEWER SYSTEMS

If the treatment works has a combined sewer system, complete Part G.

- G.1. System Map.** Provide a map indicating the following: (may be included with Basic Application Information)
- a. All CSO discharge points.
 - b. Sensitive use areas potentially affected by CSOs (e.g., beaches, drinking water supplies, shellfish beds, sensitive aquatic ecosystems, and outstanding natural resource waters).
 - c. Waters that support threatened and endangered species potentially affected by CSOs.
- G.2. System Diagram.** Provide a diagram, either in the map provided in G.1. or on a separate drawing, of the combined sewer collection system that includes the following information:
- a. Locations of major sewer trunk lines, both combined and separate sanitary.
 - b. Locations of points where separate sanitary sewers feed into the combined sewer system.
 - c. Locations of in-line and off-line storage structures.
 - d. Locations of flow-regulating devices.
 - e. Locations of pump stations.

CSO OUTFALLS:

Complete questions G.3 through G.6 once for each CSO discharge point.

G.3. Description of Outfall.

- a. Outfall number 134
- b. Location County Forest Preserve 60305
(City or town, if applicable) (Zip Code)
Cook Illinois
(County) (State)
41°54'31" 87°49'27"
(Latitude) (Longitude)
- c. Distance from shore (if applicable) 0 ft.
- d. Depth below surface (if applicable) _____ ft.
- e. Which of the following were monitored during the last year for this CSO?
 Rainfall _____ CSO pollutant concentrations CSO frequency
 CSO flow volume _____ Receiving water quality
- f. How many storm events were monitored during the last year? 33

G.4. CSO Events.

- a. Give the number of CSO events in the last year.
1 events (actual or _____ approx.)
- b. Give the average duration per CSO event.
2:17:56 hours (actual or _____ approx.)

FACILITY NAME AND PERMIT NUMBER: IL0028053
MWRDGC Stickney Water Reclamation Plant

Form Approved 1/14/99
OMB Number 2040-0086

- c. Give the average volume per CSO event.
_____ million gallons (_____ actual or _____ approx.)
- d. Give the minimum rainfall that caused a CSO event in the last year.
0.90 inches of rainfall

G.5. Description of Receiving Waters.

- a. Name of receiving water: Des Plaines River
- b. Name of watershed/river/stream system: Des Plaines
United States Soil Conservation Service 14-digit watershed code (if known): _____
- c. Name of State Management/River Basin: Illinois River
United States Geological Survey 8-digit hydrologic cataloging unit code (if known): _____

G.6. CSO Operations.

Describe any known water quality impacts on the receiving water caused by this CSO (e.g., permanent or intermittent beach closings, permanent or intermittent shell fish bed closings, fish kills, fish advisories, other recreational loss, or violation of any applicable State water quality standard).

**END OF PART G.
REFER TO THE APPLICATION OVERVIEW TO DETERMINE WHICH OTHER PARTS OF
FORM 2A YOU MUST COMPLETE.**

SUPPLEMENTAL APPLICATION INFORMATION

PART G. COMBINED SEWER SYSTEMS

If the treatment works has a combined sewer system, complete Part G.

G.1. System Map. Provide a map indicating the following: (may be included with Basic Application Information)

- a. All CSO discharge points.
- b. Sensitive use areas potentially affected by CSOs (e.g., beaches, drinking water supplies, shellfish beds, sensitive aquatic ecosystems, and outstanding natural resource waters).
- c. Waters that support threatened and endangered species potentially affected by CSOs.

G.2. System Diagram. Provide a diagram, either in the map provided in G.1. or on a separate drawing, of the combined sewer collection system that includes the following information:

- a. Locations of major sewer trunk lines, both combined and separate sanitary.
- b. Locations of points where separate sanitary sewers feed into the combined sewer system.
- c. Locations of in-line and off-line storage structures.
- d. Locations of flow-regulating devices.
- e. Locations of pump stations.

CSO OUTFALLS:

Complete questions G.3 through G.6 once for each CSO discharge point.

G.3. Description of Outfall.

a. Outfall number 135

b. Location County Forest Preserve 60305
(City or town, if applicable) (Zip Code)
Cook Illinois
(County) (State)
41°53'37" 87°49'59"
(Latitude) (Longitude)

c. Distance from shore (if applicable) 0 ft.

d. Depth below surface (if applicable) _____ ft.

e. Which of the following were monitored during the last year for this CSO?

Rainfall _____ CSO pollutant concentrations CSO frequency
 CSO flow volume _____ Receiving water quality

f. How many storm events were monitored during the last year? 33

G.4. CSO Events.

a. Give the number of CSO events in the last year.
1 events (actual or _____ approx.)

b. Give the average duration per CSO event.
0:02:21 hours (actual or _____ approx.)

- c. Give the average volume per CSO event.
_____ million gallons (____ actual or ____ approx.)
- d. Give the minimum rainfall that caused a CSO event in the last year.
0.22 inches of rainfall

G.5. Description of Receiving Waters.

- a. Name of receiving water: Des Plaines River
- b. Name of watershed/river/stream system: Des Plaines
United States Soil Conservation Service 14-digit watershed code (if known): _____
- c. Name of State Management/River Basin: Illinois River
United States Geological Survey 8-digit hydrologic cataloging unit code (if known): _____

G.6. CSO Operations.

Describe any known water quality impacts on the receiving water caused by this CSO (e.g., permanent or intermittent beach closings, permanent or intermittent shell fish bed closings, fish kills, fish advisories, other recreational loss, or violation of any applicable State water quality standard).

**END OF PART G.
REFER TO THE APPLICATION OVERVIEW TO DETERMINE WHICH OTHER PARTS OF
FORM 2A YOU MUST COMPLETE.**

SUPPLEMENTAL APPLICATION INFORMATION

PART G. COMBINED SEWER SYSTEMS

If the treatment works has a combined sewer system, complete Part G.

G.1. System Map. Provide a map indicating the following: (may be included with Basic Application Information)

- a. All CSO discharge points.
- b. Sensitive use areas potentially affected by CSOs (e.g., beaches, drinking water supplies, shellfish beds, sensitive aquatic ecosystems, and outstanding natural resource waters).
- c. Waters that support threatened and endangered species potentially affected by CSOs.

G.2. System Diagram. Provide a diagram, either in the map provided in G.1. or on a separate drawing, of the combined sewer collection system that includes the following information:

- a. Locations of major sewer trunk lines, both combined and separate sanitary.
- b. Locations of points where separate sanitary sewers feed into the combined sewer system.
- c. Locations of in-line and off-line storage structures.
- d. Locations of flow-regulating devices.
- e. Locations of pump stations.

CSO OUTFALLS:

Complete questions G.3 through G.6 once for each CSO discharge point.

G.3. Description of Outfall.

a. Outfall number 136

b. Location County Forest Preserve 60130
(City or town, if applicable) (Zip Code)

Cook Illinois
(County) (State)

41°51'52" 87°49'39"
(Latitude) (Longitude)

c. Distance from shore (if applicable) 0 ft.

d. Depth below surface (if applicable) _____ ft.

e. Which of the following were monitored during the last year for this CSO?

Rainfall _____ CSO pollutant concentrations CSO frequency
 CSO flow volume _____ Receiving water quality

f. How many storm events were monitored during the last year? 33

G.4. CSO Events.

a. Give the number of CSO events in the last year.
1 events (actual or _____ approx.)

b. Give the average duration per CSO event.
4:18:09 hours (actual or _____ approx.)

- c. Give the average volume per CSO event.
_____ million gallons (_____ actual or _____ approx.)
- d. Give the minimum rainfall that caused a CSO event in the last year.
0.90 inches of rainfall

G.5. Description of Receiving Waters.

- a. Name of receiving water: Des Plaines River
- b. Name of watershed/river/stream system: Des Plaines
United States Soil Conservation Service 14-digit watershed code (if known): _____
- c. Name of State Management/River Basin: Illinois River
United States Geological Survey 8-digit hydrologic cataloging unit code (if known): _____

G.6. CSO Operations.

Describe any known water quality impacts on the receiving water caused by this CSO (e.g., permanent or intermittent beach closings, permanent or intermittent shell fish bed closings, fish kills, fish advisories, other recreational loss, or violation of any applicable State water quality standard).

**END OF PART G.
REFER TO THE APPLICATION OVERVIEW TO DETERMINE WHICH OTHER PARTS OF
FORM 2A YOU MUST COMPLETE.**

SUPPLEMENTAL APPLICATION INFORMATION

PART G. COMBINED SEWER SYSTEMS

If the treatment works has a combined sewer system, complete Part G.

- G.1. System Map.** Provide a map indicating the following: (may be included with Basic Application Information)
- a. All CSO discharge points.
 - b. Sensitive use areas potentially affected by CSOs (e.g., beaches, drinking water supplies, shellfish beds, sensitive aquatic ecosystems, and outstanding natural resource waters).
 - c. Waters that support threatened and endangered species potentially affected by CSOs.
- G.2. System Diagram.** Provide a diagram, either in the map provided in G.1. or on a separate drawing, of the combined sewer collection system that includes the following information:
- a. Locations of major sewer trunk lines, both combined and separate sanitary.
 - b. Locations of points where separate sanitary sewers feed into the combined sewer system.
 - c. Locations of in-line and off-line storage structures.
 - d. Locations of flow-regulating devices.
 - e. Locations of pump stations.

CSO OUTFALLS:

Complete questions G.3 through G.6 once for each CSO discharge point.

G.3. Description of Outfall.

- a. Outfall number 142
- b. Location Chicago 60609
(City or town, if applicable) (Zip Code)
Cook Illinois
(County) (State)
41°49'32" 87°39'30"
(Latitude) (Longitude)
- c. Distance from shore (if applicable) 0 ft.
- d. Depth below surface (if applicable) _____ ft.
- e. Which of the following were monitored during the last year for this CSO?
 Rainfall _____ CSO pollutant concentrations CSO frequency
 CSO flow volume _____ Receiving water quality
- f. How many storm events were monitored during the last year? 33

G.4. CSO Events.

- a. Give the number of CSO events in the last year.
8 events (actual or _____ approx.)
- b. Give the average duration per CSO event.
8.51 hours (actual or _____ approx.)

- c. Give the average volume per CSO event.
176.02 million gallons (actual or approx.)
- d. Give the minimum rainfall that caused a CSO event in the last year.
0.34 inches of rainfall

G.5. Description of Receiving Waters.

- a. Name of receiving water: South Fork of South Branch of Chicago River
- b. Name of watershed/river/stream system: Des Plaines
United States Soil Conservation Service 14-digit watershed code (if known): _____
- c. Name of State Management/River Basin: Illinois River
United States Geological Survey 8-digit hydrologic cataloging unit code (if known): _____

G.6. CSO Operations.

Describe any known water quality impacts on the receiving water caused by this CSO (e.g., permanent or intermittent beach closings, permanent or intermittent shell fish bed closings, fish kills, fish advisories, other recreational loss, or violation of any applicable State water quality standard).

**END OF PART G.
REFER TO THE APPLICATION OVERVIEW TO DETERMINE WHICH OTHER PARTS OF
FORM 2A YOU MUST COMPLETE.**

SUPPLEMENTAL APPLICATION INFORMATION

PART G. COMBINED SEWER SYSTEMS

If the treatment works has a combined sewer system, complete Part G.

G.1. System Map. Provide a map indicating the following: (may be included with Basic Application Information)

- a. All CSO discharge points.
- b. Sensitive use areas potentially affected by CSOs (e.g., beaches, drinking water supplies, shellfish beds, sensitive aquatic ecosystems, and outstanding natural resource waters).
- c. Waters that support threatened and endangered species potentially affected by CSOs.

G.2. System Diagram. Provide a diagram, either in the map provided in G.1. or on a separate drawing, of the combined sewer collection system that includes the following information:

- a. Locations of major sewer trunk lines, both combined and separate sanitary.
- b. Locations of points where separate sanitary sewers feed into the combined sewer system.
- c. Locations of in-line and off-line storage structures.
- d. Locations of flow-regulating devices.
- e. Locations of pump stations.

CSO OUTFALLS:

Complete questions G.3 through G.6 once for each CSO discharge point.

G.3. Description of Outfall.

- a. Outfall number 143
- b. Location Stickney 60402
(City or town, if applicable) (Zip Code)
Cook Illinois
(County) (State)
41°49'01" 87°45'10"
(Latitude) (Longitude)
- c. Distance from shore (if applicable) 0 ft.
- d. Depth below surface (if applicable) _____ ft.
- e. Which of the following were monitored during the last year for this CSO?
 Rainfall _____ CSO pollutant concentrations CSO frequency
 CSO flow volume _____ Receiving water quality
- f. How many storm events were monitored during the last year? 33

G.4. CSO Events.

- a. Give the number of CSO events in the last year.
0 events (actual or _____ approx.)
- b. Give the average duration per CSO event.
0 hours (actual or _____ approx.)

- c. Give the average volume per CSO event.
 0 million gallons (actual or approx.)
- d. Give the minimum rainfall that caused a CSO event in the last year.
 N/A inches of rainfall

G.5. Description of Receiving Waters.

- a. Name of receiving water: Chicago Sanitary and Ship Canal
- b. Name of watershed/river/stream system: Des Plaines
 United States Soil Conservation Service 14-digit watershed code (if known): _____
- c. Name of State Management/River Basin: Illinois River
 United States Geological Survey 8-digit hydrologic cataloging unit code (if known): _____

G.6. CSO Operations.

Describe any known water quality impacts on the receiving water caused by this CSO (e.g., permanent or intermittent beach closings, permanent or intermittent shell fish bed closings, fish kills, fish advisories, other recreational loss, or violation of any applicable State water quality standard).

**END OF PART G.
REFER TO THE APPLICATION OVERVIEW TO DETERMINE WHICH OTHER PARTS OF
FORM 2A YOU MUST COMPLETE.**

SUPPLEMENTAL APPLICATION INFORMATION

PART G. COMBINED SEWER SYSTEMS

If the treatment works has a combined sewer system, complete Part G.

G.1. System Map. Provide a map indicating the following: (may be included with Basic Application Information)

- a. All CSO discharge points.
- b. Sensitive use areas potentially affected by CSOs (e.g., beaches, drinking water supplies, shellfish beds, sensitive aquatic ecosystems, and outstanding natural resource waters).
- c. Waters that support threatened and endangered species potentially affected by CSOs.

G.2. System Diagram. Provide a diagram, either in the map provided in G.1. or on a separate drawing, of the combined sewer collection system that includes the following information:

- a. Locations of major sewer trunk lines, both combined and separate sanitary.
- b. Locations of points where separate sanitary sewers feed into the combined sewer system.
- c. Locations of in-line and off-line storage structures.
- d. Locations of flow-regulating devices.
- e. Locations of pump stations.

CSO OUTFALLS:

Complete questions G.3 through G.6 once for each CSO discharge point.

G.3. Description of Outfall.

- a. Outfall number 144
- b. Location 51st Street Cleaning Industrial District 60638
(City or town, if applicable) Chicago (Zip Code)
Cook Illinois
(County) (State)
41°48'35" 87°46'34"
(Latitude) (Longitude)
- c. Distance from shore (if applicable) 0 ft.
- d. Depth below surface (if applicable) _____ ft.
- e. Which of the following were monitored during the last year for this CSO?
 Rainfall _____ CSO pollutant concentrations CSO frequency
 CSO flow volume _____ Receiving water quality
- f. How many storm events were monitored during the last year? 33

G.4. CSO Events.

- a. Give the number of CSO events in the last year.
3 events (actual or _____ approx.)
- b. Give the average duration per CSO event.
3:41:51 hours (actual or _____ approx.)

- c. Give the average volume per CSO event.
_____ million gallons (_____ actual or _____ approx.)
- d. Give the minimum rainfall that caused a CSO event in the last year.
0.69 inches of rainfall

G.5. Description of Receiving Waters.

- a. Name of receiving water: Chicago Sanitary and Ship Canal
- b. Name of watershed/river/stream system: Des Plaines
United States Soil Conservation Service 14-digit watershed code (if known): _____
- c. Name of State Management/River Basin: Illinois River
United States Geological Survey 8-digit hydrologic cataloging unit code (if known): _____

G.6. CSO Operations.

Describe any known water quality impacts on the receiving water caused by this CSO (e.g., permanent or intermittent beach closings, permanent or intermittent shell fish bed closings, fish kills, fish advisories, other recreational loss, or violation of any applicable State water quality standard).

**END OF PART G.
REFER TO THE APPLICATION OVERVIEW TO DETERMINE WHICH OTHER PARTS OF
FORM 2A YOU MUST COMPLETE.**

SUPPLEMENTAL APPLICATION INFORMATION

PART G. COMBINED SEWER SYSTEMS

If the treatment works has a combined sewer system, complete Part G.

G.1. System Map. Provide a map indicating the following: (may be included with Basic Application Information)

- a. All CSO discharge points.
- b. Sensitive use areas potentially affected by CSOs (e.g., beaches, drinking water supplies, shellfish beds, sensitive aquatic ecosystems, and outstanding natural resource waters).
- c. Waters that support threatened and endangered species potentially affected by CSOs.

G.2. System Diagram. Provide a diagram, either in the map provided in G.1. or on a separate drawing, of the combined sewer collection system that includes the following information:

- a. Locations of major sewer trunk lines, both combined and separate sanitary.
- b. Locations of points where separate sanitary sewers feed into the combined sewer system.
- c. Locations of in-line and off-line storage structures.
- d. Locations of flow-regulating devices.
- e. Locations of pump stations.

CSO OUTFALLS:

Complete questions G.3 through G.6 once for each CSO discharge point.

G.3. Description of Outfall.

- a. Outfall number 145
- b. Location Forest View 60402
(City or town, if applicable) (Zip Code)
Cook Illinois
(County) (State)
41°48'22" 87°47'13"
(Latitude) (Longitude)
- c. Distance from shore (if applicable) 0 ft.
- d. Depth below surface (if applicable) _____ ft.
- e. Which of the following were monitored during the last year for this CSO?
 Rainfall _____ CSO pollutant concentrations CSO frequency
 CSO flow volume _____ Receiving water quality
- f. How many storm events were monitored during the last year? 33

G.4. CSO Events.

- a. Give the number of CSO events in the last year.
2 events (actual or _____ approx.)
- b. Give the average duration per CSO event.
8:14:22 hours (actual or _____ approx.)

FACILITY NAME AND PERMIT NUMBER: IL0028053
MWRDGC Stickney Water Reclamation Plant

Form Approved 1/14/99
OMB Number 2040-0086

- c. Give the average volume per CSO event.
_____ million gallons (_____ actual or _____ approx.)
- d. Give the minimum rainfall that caused a CSO event in the last year.
0.86 inches of rainfall

G.5. Description of Receiving Waters.

- a. Name of receiving water: Chicago Sanitary and Ship Canal
- b. Name of watershed/river/stream system: Des Plaines
United States Soil Conservation Service 14-digit watershed code (if known): _____
- c. Name of State Management/River Basin: Illinois River
United States Geological Survey 8-digit hydrologic cataloging unit code (if known): _____

G.6. CSO Operations.

Describe any known water quality impacts on the receiving water caused by this CSO (e.g., permanent or intermittent beach closings, permanent or intermittent shell fish bed closings, fish kills, fish advisories, other recreational loss, or violation of any applicable State water quality standard).

**END OF PART G.
REFER TO THE APPLICATION OVERVIEW TO DETERMINE WHICH OTHER PARTS OF
FORM 2A YOU MUST COMPLETE.**

SUPPLEMENTAL APPLICATION INFORMATION

PART G. COMBINED SEWER SYSTEMS

If the treatment works has a combined sewer system, complete Part G.

G.1. System Map. Provide a map indicating the following: (may be included with Basic Application Information)

- a. All CSO discharge points.
- b. Sensitive use areas potentially affected by CSOs (e.g., beaches, drinking water supplies, shellfish beds, sensitive aquatic ecosystems, and outstanding natural resource waters).
- c. Waters that support threatened and endangered species potentially affected by CSOs.

G.2. System Diagram. Provide a diagram, either in the map provided in G.1. or on a separate drawing, of the combined sewer collection system that includes the following information:

- a. Locations of major sewer trunk lines, both combined and separate sanitary.
- b. Locations of points where separate sanitary sewers feed into the combined sewer system.
- c. Locations of in-line and off-line storage structures.
- d. Locations of flow-regulating devices.
- e. Locations of pump stations.

CSO OUTFALLS:

Complete questions G.3 through G.6 once for each CSO discharge point.

G.3. Description of Outfall.

- a. Outfall number 146
- b. Location Summit 60501
(City or town, if applicable) (Zip Code)
Cook Illinois
(County) (State)
41°47'38" 87°48'43"
(Latitude) (Longitude)
- c. Distance from shore (if applicable) 0 ft.
- d. Depth below surface (if applicable) _____ ft.
- e. Which of the following were monitored during the last year for this CSO?
 Rainfall _____ CSO pollutant concentrations CSO frequency
 CSO flow volume _____ Receiving water quality
- f. How many storm events were monitored during the last year? 33

G.4. CSO Events.

- a. Give the number of CSO events in the last year.
0 events (actual or _____ approx.)
- b. Give the average duration per CSO event.
0 hours (actual or _____ approx.)

FACILITY NAME AND PERMIT NUMBER: IL0028053
MWRDGC Stickney Water Reclamation Plant

Form Approved 1/14/99
OMB Number 2040-0086

- c. Give the average volume per CSO event.
 0 million gallons (actual or approx.)
- d. Give the minimum rainfall that caused a CSO event in the last year.
 N/A inches of rainfall

G.5. Description of Receiving Waters.

- a. Name of receiving water: Chicago Sanitary and Ship Canal
- b. Name of watershed/river/stream system: Des Plaines
 United States Soil Conservation Service 14-digit watershed code (if known): _____
- c. Name of State Management/River Basin: Illinois River
 United States Geological Survey 8-digit hydrologic cataloging unit code (if known): _____

G.6. CSO Operations.

Describe any known water quality impacts on the receiving water caused by this CSO (e.g., permanent or intermittent beach closings, permanent or intermittent shell fish bed closings, fish kills, fish advisories, other recreational loss, or violation of any applicable State water quality standard).

**END OF PART G.
REFER TO THE APPLICATION OVERVIEW TO DETERMINE WHICH OTHER PARTS OF
FORM 2A YOU MUST COMPLETE.**

SUPPLEMENTAL APPLICATION INFORMATION

PART G. COMBINED SEWER SYSTEMS

If the treatment works has a combined sewer system, complete Part G:

G.1. System Map. Provide a map indicating the following: (may be included with Basic Application Information)

- a. All CSO discharge points.
- b. Sensitive use areas potentially affected by CSOs (e.g., beaches, drinking water supplies, shellfish beds, sensitive aquatic ecosystems, and outstanding natural resource waters).
- c. Waters that support threatened and endangered species potentially affected by CSOs.

G.2. System Diagram. Provide a diagram, either in the map provided in G.1. or on a separate drawing, of the combined sewer collection system that includes the following information:

- a. Locations of major sewer trunk lines, both combined and separate sanitary.
- b. Locations of points where separate sanitary sewers feed into the combined sewer system.
- c. Locations of in-line and off-line storage structures.
- d. Locations of flow-regulating devices.
- e. Locations of pump stations.

CSO OUTFALLS:

Complete questions G.3 through G.6 once for each CSO discharge point.

G.3. Description of Outfall.

- a. Outfall number 147
- b. Location Bedford Park 60501
(City or town, if applicable) (Zip Code)
Cook Illinois
(County) (State)
41°46'14" 87°50'12"
(Latitude) (Longitude)
- c. Distance from shore (if applicable) 0 ft.
- d. Depth below surface (if applicable) _____ ft.
- e. Which of the following were monitored during the last year for this CSO?
 Rainfall _____ CSO pollutant concentrations CSO frequency
 CSO flow volume _____ Receiving water quality
- f. How many storm events were monitored during the last year? 33

G.4. CSO Events.

- a. Give the number of CSO events in the last year.
12 events (actual or _____ approx.)
- b. Give the average duration per CSO event.
4:31:51 hours (actual or _____ approx.)

FACILITY NAME AND PERMIT NUMBER: IL0028053
MWRDGC Stickney Water Reclamation Plant

Form Approved 1/14/99
OMB Number 2040-0086

- c. Give the average volume per CSO event.
_____ million gallons (____ actual or ____ approx.)
- d. Give the minimum rainfall that caused a CSO event in the last year.
0.20 inches of rainfall

G.5. Description of Receiving Waters.

- a. Name of receiving water: Chicago Sanitary and Ship Canal
- b. Name of watershed/river/stream system: Des Plaines
United States Soil Conservation Service 14-digit watershed code (if known): _____
- c. Name of State Management/River Basin: Illinois River
United States Geological Survey 8-digit hydrologic cataloging unit code (if known): _____

G.6. CSO Operations.

Describe any known water quality impacts on the receiving water caused by this CSO (e.g., permanent or intermittent beach closings, permanent or intermittent shell fish bed closings, fish kills, fish advisories, other recreational loss, or violation of any applicable State water quality standard).

**END OF PART G.
REFER TO THE APPLICATION OVERVIEW TO DETERMINE WHICH OTHER PARTS OF
FORM 2A YOU MUST COMPLETE.**

SUPPLEMENTAL APPLICATION INFORMATION

PART G. COMBINED SEWER SYSTEMS

If the treatment works has a combined sewer system, complete Part G.

G.1. System Map. Provide a map indicating the following: (may be included with Basic Application Information)

- a. All CSO discharge points.
- b. Sensitive use areas potentially affected by CSOs (e.g., beaches, drinking water supplies, shellfish beds, sensitive aquatic ecosystems, and outstanding natural resource waters).
- c. Waters that support threatened and endangered species potentially affected by CSOs.

G.2. System Diagram. Provide a diagram, either in the map provided in G.1. or on a separate drawing, of the combined sewer collection system that includes the following information:

- a. Locations of major sewer trunk lines, both combined and separate sanitary.
- b. Locations of points where separate sanitary sewers feed into the combined sewer system.
- c. Locations of in-line and off-line storage structures.
- d. Locations of flow-regulating devices.
- e. Locations of pump stations.

CSO OUTFALLS:

Complete questions G.3 through G.6 once for each CSO discharge point.

G.3. Description of Outfall.

a. Outfall number 148

b. Location Hodgkins 60525
(City or town, if applicable) (Zip Code)

Cook Illinois
(County) (State)

41°45'29" 87°51'00"
(Latitude) (Longitude)

c. Distance from shore (if applicable) 0 ft.

d. Depth below surface (if applicable) _____ ft.

e. Which of the following were monitored during the last year for this CSO?--none

Rainfall CSO pollutant concentrations CSO frequency
 CSO flow volume Receiving water quality

f. How many storm events were monitored during the last year? 33

G.4. CSO Events.

a. Give the number of CSO events in the last year.
_____ events (_____ actual or _____ approx.) unmonitored

b. Give the average duration per CSO event.
_____ hours (_____ actual or _____ approx.)

- c. Give the average volume per CSO event.
_____ million gallons (_____ actual or _____ approx.)
- d. Give the minimum rainfall that caused a CSO event in the last year.
_____ inches of rainfall

G.5. Description of Receiving Waters.

- a. Name of receiving water: Chicago Sanitary and Ship Canal
- b. Name of watershed/river/stream system: Des Plaines
United States Soil Conservation Service 14-digit watershed code (if known): _____
- c. Name of State Management/River Basin: Illinois River
United States Geological Survey 8-digit hydrologic cataloging unit code (if known): _____

G.6. CSO Operations.

Describe any known water quality impacts on the receiving water caused by this CSO (e.g., permanent or intermittent beach closings, permanent or intermittent shell fish bed closings, fish kills, fish advisories, other recreational loss, or violation of any applicable State water quality standard).

**END OF PART G.
REFER TO THE APPLICATION OVERVIEW TO DETERMINE WHICH OTHER PARTS OF
FORM 2A YOU MUST COMPLETE.**

SUPPLEMENTAL APPLICATION INFORMATION

PART G. COMBINED SEWER SYSTEMS

If the treatment works has a combined sewer system, complete Part G.

G.1. System Map. Provide a map indicating the following: (may be included with Basic Application Information)

- a. All CSO discharge points.
- b. Sensitive use areas potentially affected by CSOs (e.g., beaches, drinking water supplies, shellfish beds, sensitive aquatic ecosystems, and outstanding natural resource waters).
- c. Waters that support threatened and endangered species potentially affected by CSOs.

G.2. System Diagram. Provide a diagram, either in the map provided in G.1. or on a separate drawing, of the combined sewer collection system that includes the following information:

- a. Locations of major sewer trunk lines, both combined and separate sanitary.
- b. Locations of points where separate sanitary sewers feed into the combined sewer system.
- c. Locations of in-line and off-line storage structures.
- d. Locations of flow-regulating devices.
- e. Locations of pump stations.

CSO OUTFALLS:

Complete questions G.3 through G.6 once for each CSO discharge point.

G.3. Description of Outfall.

a. Outfall number 149

b. Location Willow Springs 60480
(City or town, if applicable) (Zip Code)

Cook Illinois
(County) (State)

41°44'52" 87°51'38"
(Latitude) (Longitude)

c. Distance from shore (if applicable) 0 ft.

d. Depth below surface (if applicable) _____ ft.

e. Which of the following were monitored during the last year for this CSO? --none

____ Rainfall ____ CSO pollutant concentrations ____ CSO frequency
____ CSO flow volume ____ Receiving water quality

f. How many storm events were monitored during the last year? 33

G.4. CSO Events.

- a. Give the number of CSO events in the last year.
_____ events (____ actual or ____ approx.)
- b. Give the average duration per CSO event. unmonitored
_____ hours (____ actual or ____ approx.)

- c. Give the average volume per CSO event.
_____ million gallons (_____ actual or _____ approx.)
- d. Give the minimum rainfall that caused a CSO event in the last year.
_____ inches of rainfall

G.5. Description of Receiving Waters.

- a. Name of receiving water: Chicago Sanitary and Ship Canal
- b. Name of watershed/river/stream system: Des Plaines
United States Soil Conservation Service 14-digit watershed code (if known): _____
- c. Name of State Management/River Basin: Illinois River
United States Geological Survey 8-digit hydrologic cataloging unit code (if known): _____

G.6. CSO Operations.

Describe any known water quality impacts on the receiving water caused by this CSO (e.g., permanent or intermittent beach closings, permanent or intermittent shell fish bed closings, fish kills, fish advisories, other recreational loss, or violation of any applicable State water quality standard).

**END OF PART G.
REFER TO THE APPLICATION OVERVIEW TO DETERMINE WHICH OTHER PARTS OF
FORM 2A YOU MUST COMPLETE.**

SUPPLEMENTAL APPLICATION INFORMATION

PART G. COMBINED SEWER SYSTEMS

If the treatment works has a combined sewer system, complete Part G.

G.1. System Map. Provide a map indicating the following: (may be included with Basic Application Information)

- a. All CSO discharge points.
- b. Sensitive use areas potentially affected by CSOs (e.g., beaches, drinking water supplies, shellfish beds, sensitive aquatic ecosystems, and outstanding natural resource waters).
- c. Waters that support threatened and endangered species potentially affected by CSOs.

G.2. System Diagram. Provide a diagram, either in the map provided in G.1. or on a separate drawing, of the combined sewer collection system that includes the following information:

- a. Locations of major sewer trunk lines, both combined and separate sanitary.
- b. Locations of points where separate sanitary sewers feed into the combined sewer system.
- c. Locations of in-line and off-line storage structures.
- d. Locations of flow-regulating devices.
- e. Locations of pump stations.

CSO OUTFALLS:

Complete questions G.3 through G.6 once for each CSO discharge point.

G.3. Description of Outfall.

a. Outfall number 150

b. Location Broadview 60104
(City or town, if applicable) (Zip Code)

Cook Illinois
(County) (State)

41°51'41" 87°52'04"
(Latitude) (Longitude)

c. Distance from shore (if applicable) 0 ft.

d. Depth below surface (if applicable) _____ ft.

e. Which of the following were monitored during the last year for this CSO?

Rainfall _____ CSO pollutant concentrations CSO frequency
 CSO flow volume _____ Receiving water quality

f. How many storm events were monitored during the last year? 33

G.4. CSO Events.

a. Give the number of CSO events in the last year.
16 events (actual or _____ approx.)

b. Give the average duration per CSO event.
2.61 hours (_____ actual or approx.)

FACILITY NAME AND PERMIT NUMBER: IL0028053
MWRDGC Stickney Water Reclamation Plant

Form Approved 1/14/99
OMB Number 2040-0086

- c. Give the average volume per CSO event.
0.42 million gallons (___ actual or X approx.)
- d. Give the minimum rainfall that caused a CSO event in the last year.
0.22 inches of rainfall

G.5. Description of Receiving Waters.

- a. Name of receiving water: Addison Creek
- b. Name of watershed/river/stream system: Des Plaines
United States Soil Conservation Service 14-digit watershed code (if known): _____
- c. Name of State Management/River Basin: Illinois River
United States Geological Survey 8-digit hydrologic cataloging unit code (if known): _____

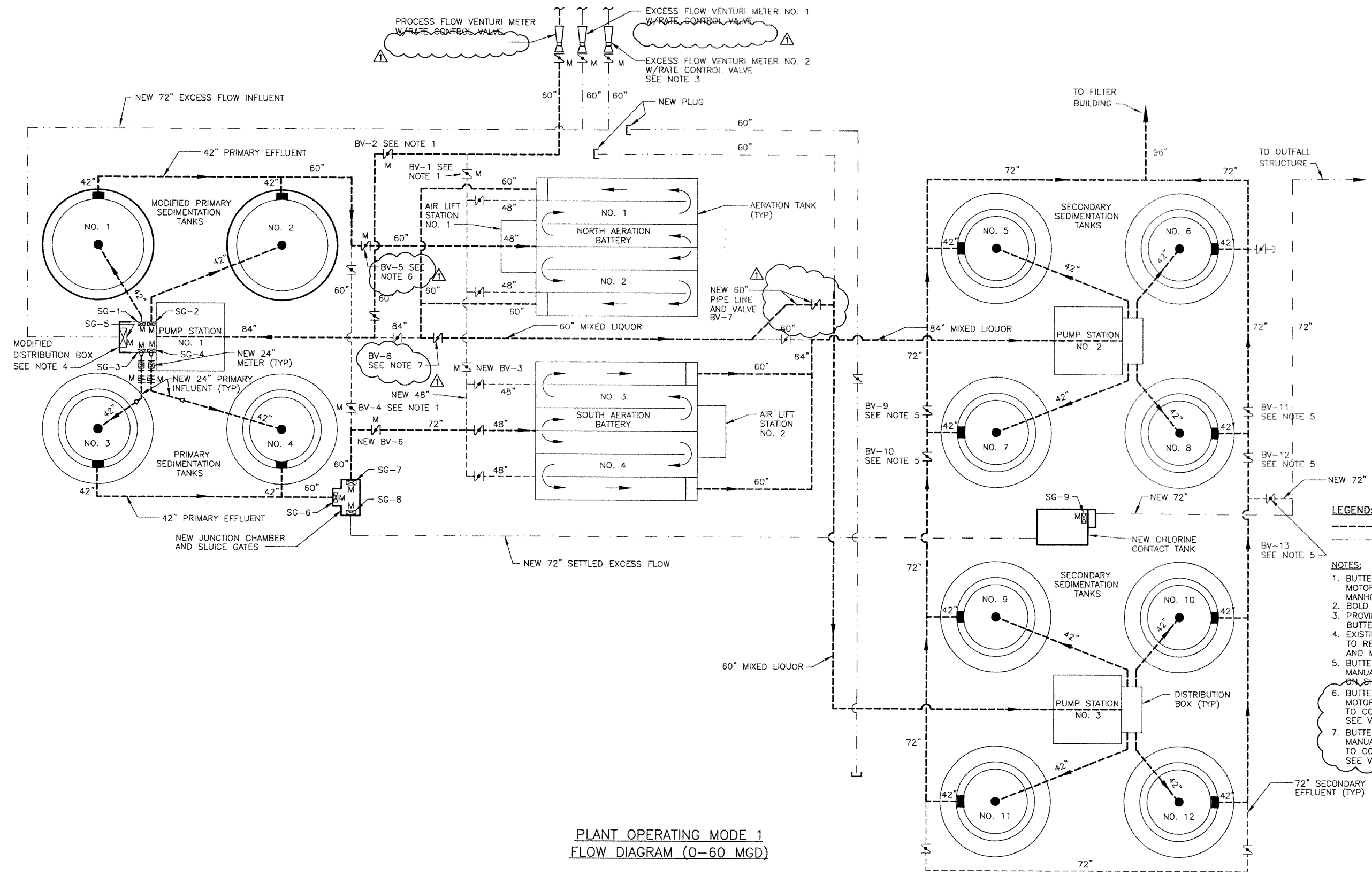
G.6. CSO Operations.

Describe any known water quality impacts on the receiving water caused by this CSO (e.g., permanent or intermittent beach closings, permanent or intermittent shell fish bed closings, fish kills, fish advisories, other recreational loss, or violation of any applicable State water quality standard).

**END OF PART G.
REFER TO THE APPLICATION OVERVIEW TO DETERMINE WHICH OTHER PARTS OF
FORM 2A YOU MUST COMPLETE.**

	68-402-2P	73-415-2P	74-416-2P	93-451-2P	94-453-2P	95-455-2P	96-456-2P	98-465-2P
Fine Screens	P-2							
Coarse Screens	P-2							
First Stage Aeration Basin	P-2							
Raw Sewage Pumps	P-2							
Grit Facilities	P-2							
Second Stage Aeration	P-3							
Settling Tanks - Stage 1	P-3							
Mixed Liquor Distribution Box	P-3							
Waste Sludge Pumps - Stage 1	P-3							
Air Lift Return Sludge - Stage 1	P-3							
Waste Sludge Pumps - Stage 2	P-4							
Settling Tanks - Stage 2	P-4							
Air Lift Return Sludge - Stage 2	P-4							
Gravity Filters	P-4							
Storm Water Treatment	P-5							
Hypochlorite System	P-5							
Wash & Process Water Pumps & Controls	P-5							
Polymer System	P-5			P-1				
Blowers	P-5							
Thickeners	P-6							
Defoam Control System	P-6							
Combustable Gas Analyzer	P-6							
Digesters	P-6A							
Mechanical Dewatering		P-1 & P-2						
Alternate Sludge Disposal Facilities			P-1					
WAS / Primary Sludge, GBT				P-1				
Solids Schematic, Digesters A, B, C & D					PA-6A			
Gas Schematic (Digested Gas)					PA-7A			
Gas Mixing Schematic					PA-8A			
Heating Water Schematic					PA-9A			
Exist. Sludge Line Schematic (Digester Bldg.)					PA-10			
Aerated Grit Tank Odor Control System						PG-3		
Pretreatment Bldg. Elec. Room Ozone						PG-3		
Secondary Station No. 3 Secondary Sludge						PG-4		
Modified Secondary Sludge						PG-4		
Activated Sludge - Thickener Bldg.						PG-5		
Excess Flow Sodium Hypochlorite						PG-6		
Sludge Dewatering Unit							P-1A	
Primary Tanks								P-3
North Aeration Battery								P-4
South Aeration Battery								P-5
Final Settling Tanks								P-6
Tertiary Filters								P-7
Gravity Belt Thickeners								P-8
Digester Solids								P-9
Digester Gas								P-10
Digester Gas Mixing								P-11
Digester Heating Water								P-12
Dewatering								P-13
Blowers & Boiler								P-14
Chlorination / Dechlorination								P-15
Clearwell & Outfall								P-16
Plant Operating Mode 1								P-17
Plant Operating Mode 2								P-18
Plant Operating Mode 3								P-19
Dissolved Oxygen								P-20





PLANT OPERATING MODE 1
FLOW DIAGRAM (0-60 MGD)

LEGEND:
 - - - - - WASTEWATER
 - - - - - EXCESS FLOW

- NOTES:**
1. BUTTERFLY VALVE IS EXISTING, PROVIDE NEW MOTOR OPERATOR, SEE NEW VALVE OPERATOR MANHOLE DETAIL ON SHEET PG 7.
 2. BOLD LINES REPRESENT FLOW PATH.
 3. PROVIDE NEW MODULATING MOTOR OPERATOR. BUTTERFLY VALVE IS EXISTING.
 4. EXISTING SLUICE GATE NO. 1 THROUGH NO. 4 TO REMAIN, PROVIDE NEW STEMS, STEM GUIDES AND MOTOR OPERATORS.
 5. BUTTERFLY VALVE IS EXISTING, PROVIDE NEW MANUAL OPERATOR, SEE NEW MANHOLE DETAIL ON SHEET PG 7.
 6. BUTTERFLY VALVE IS EXISTING, PROVIDE NEW MOTOR OPERATOR, NO MANHOLE PROVIDED DUE TO CONFLICT WITH EXISTING PIPING. SEE VALVE STEM DETAIL PG 8.
 7. BUTTERFLY VALVE IS EXISTING, PROVIDE NEW MANUAL OPERATOR, NO MANHOLE PROVIDED DUE TO CONFLICT WITH EXISTING PIPING. SEE VALVE STEM DETAIL PG 8.

LICENSE EXPIRES 11/30/99
SIGNED IN CHICAGO, IL 10/4/99

GREELEY AND HANSEN
 ENGINEERS
 100 SOUTH WACKER DRIVE
 CHICAGO, ILLINOIS 60606

REVISIONS		
NO	DATE	BY
1	7/9/04	PDN

**METROPOLITAN WATER RECLAMATION DISTRICT
OF GREATER CHICAGO**

PROCESS FLOW
 PLANT OPERATING MODE 1 - FLOW DIAGRAM
 PLANT IMPROVEMENTS
 JOHN E. EGAN WATER RECLAMATION PLANT
 SCHAUMBURG, ILLINOIS
 CONTRACT 95-455-2P

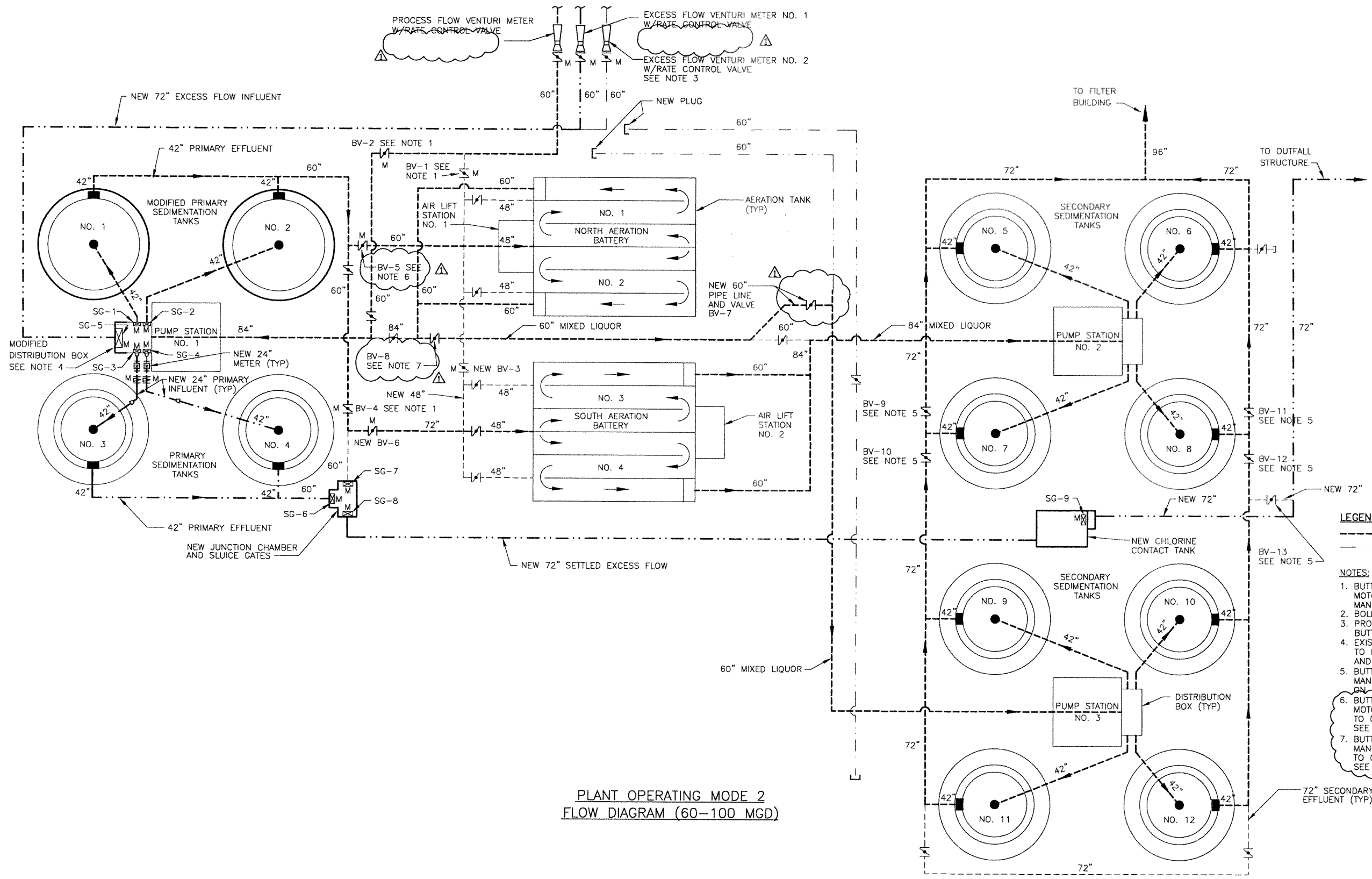
DESIGNED: JMG DRAWN: RO CHECKED: JMG REVIEWED: KVJ DATE: JUNE 1999

Correct _____
 Engineer of Process Design

Approved _____
 Assistant Chief Engineer

Approved _____
 Chief Engineer

FILE: EGNAP04 1:1 10/01/99 14:30 KH-A



PLANT OPERATING MODE 2
FLOW DIAGRAM (60-100 MGD)

LEGEND:
 - - - - - WASTEWATER
 - - - - - EXCESS FLOW

- NOTES:**
- BUTTERFLY VALVE IS EXISTING, PROVIDE NEW MOTOR OPERATOR, SEE NEW VALVE OPERATOR MANHOLE DETAIL ON SHEET PG 7.
 - BOLD LINES REPRESENT FLOW PATH.
 - PROVIDE NEW MODULATING MOTOR OPERATOR. BUTTERFLY VALVE IS EXISTING.
 - EXISTING SLUICE GATE NO. 1 THROUGH NO. 4 TO REMAIN, PROVIDE NEW STEMS, STEM GUIDES AND MOTOR OPERATORS.
 - BUTTERFLY VALVE IS EXISTING, PROVIDE NEW MANUAL OPERATOR, SEE NEW MANHOLE DETAIL ON SHEET PG 7.
 - BUTTERFLY VALVE IS EXISTING, PROVIDE NEW MOTOR OPERATOR, NO MANHOLE PROVIDED DUE TO CONFLICT WITH EXISTING PIPING SEE VALVE STEM DETAIL PG 8
 - BUTTERFLY VALVE IS EXISTING, PROVIDE NEW MANUAL OPERATOR, NO MANHOLE PROVIDED DUE TO CONFLICT WITH EXISTING PIPING SEE VALVE STEM DETAIL PG 8

LICENSE EXPIRES 11/30/99
SIGNED IN CHICAGO, IL 10/4/99

GREELEY AND HANSEN
ENGINEERS
100 SOUTH WACKER DRIVE
CHICAGO, ILLINOIS 60606

REVISIONS		
NO	DATE	BY
1	7/9/04	PDN

METROPOLITAN WATER RECLAMATION DISTRICT
OF GREATER CHICAGO

PROCESS FLOW
PLANT OPERATING MODE 2 - FLOW DIAGRAM
PLANT IMPROVEMENTS
JOHN E. EGAN WATER RECLAMATION PLANT
SCHAUMBURG, ILLINOIS
CONTRACT 95-455-2P

DESIGNED: JMG DRAWN: RO CHECKED: JMG REVIEWED: KJV DATE: JUNE 1999

Correct

Engineer of Process Design

Approved

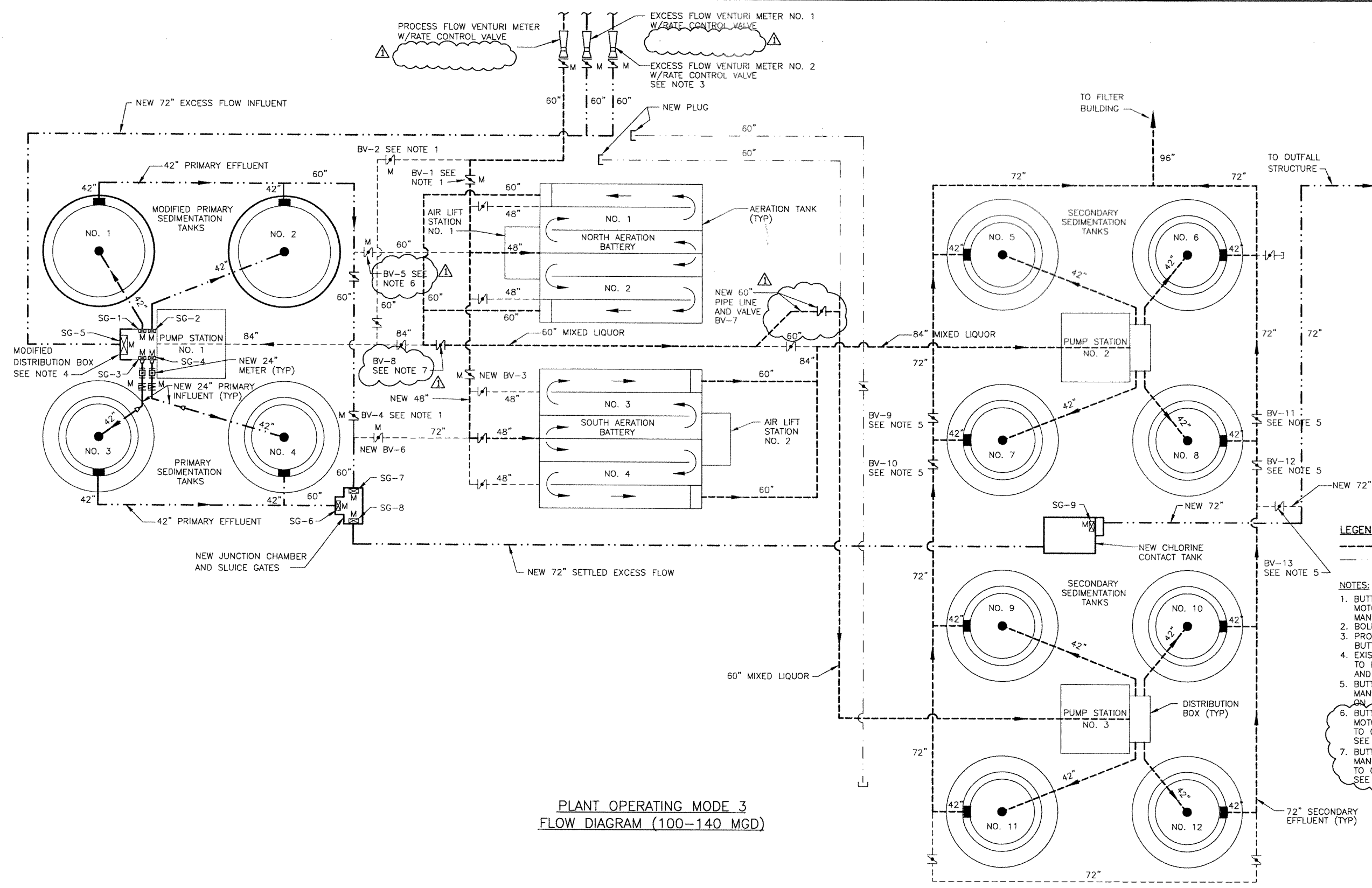
Assistant Chief Engineer

Approved

Chief Engineer

SHEET NO. P 5A

FILE: EGNAP05 1:1 10/01/99 14:31 KH-A



PLANT OPERATING MODE 3
FLOW DIAGRAM (100-140 MGD)

LEGEND:
--- WASTEWATER
- - - EXCESS FLOW

- NOTES:**
- BUTTERFLY VALVE IS EXISTING, PROVIDE NEW MOTOR OPERATOR, SEE NEW VALVE OPERATOR MANHOLE DETAIL ON SHEET PG 7.
 - BOLD LINES REPRESENT FLOW PATH.
 - PROVIDE NEW MODULATING MOTOR OPERATOR. BUTTERFLY VALVE IS EXISTING.
 - EXISTING SLUICE GATE NO. 1 THROUGH NO. 4 TO REMAIN, PROVIDE NEW STEMS, STEM GUIDES AND MOTOR OPERATORS.
 - BUTTERFLY VALVE IS EXISTING, PROVIDE NEW MANUAL OPERATOR, SEE NEW MANHOLE DETAIL ON SHEET PG 7.
 - BUTTERFLY VALVE IS EXISTING, PROVIDE NEW MOTOR OPERATOR, NO MANHOLE PROVIDED DUE TO CONFLICT WITH EXISTING PIPING SEE VALVE STEM DETAIL PG 8
 - BUTTERFLY VALVE IS EXISTING, PROVIDE NEW MANUAL OPERATOR, NO MANHOLE PROVIDED DUE TO CONFLICT WITH EXISTING PIPING SEE VALVE STEM DETAIL PG 8

LICENSE EXPIRES 11/30/99
SIGNED IN CHICAGO, IL 10/4/99
GREELEY AND HANSEN
ENGINEERS
100 SOUTH WACKER DRIVE
CHICAGO, ILLINOIS 60606

REVISIONS			METROPOLITAN WATER RECLAMATION DISTRICT OF GREATER CHICAGO				Correct	
NO	DATE	BY	PROCESS FLOW PLANT OPERATING MODE 3 - FLOW DIAGRAM PLANT IMPROVEMENTS JOHN E. EGAN WATER RECLAMATION PLANT SCHAUMBURG, ILLINOIS CONTRACT 95-455-2P				Engineer of Process Design	
1	7/9/04	PDN					Approved	
							Assistant Chief Engineer	
							Approved	
							Chief Engineer	
			DESIGNED: JMG	DRAWN: RO	CHECKED: JMG	REVIEWED: KJV	DATE: JUNE 1999	SHEET NO. P 6A

FILE: EGNAP05 1:1 10/01/99 14:33 KH-A

COMPOSITION BLOCKS

On P-drawings

POSITION	1	2	3A	3B	4	5	6	7	8	9	10	11	12	13	14	15	16	17	18	19	20	21	22	23	24	25	26	27	28	29	30	31	32	33	34	35	36	37	38	39	40	41					
P (FT. H2O)	102	112	150	150	146	137.5	148	133.5	123	127.5	145.0	127.5	143.5	104	10+	300+	138	10+	134	136	136	136	138	133	138.5	133	133	136	10+	132	150+	133	25+	150+		10+	130		140	140		10+					
T (F°)	65	70	65	65	65	65	65	65	65	65	65	65	65	65	100	100+	65	100	65	65	65	65	65	65	65	65	65	65	100	65	80	65	90	90		110	65	65	65	65	65	100					
F (MGD)	125	.044	35	10	31.25	50	188+	75	188+	0.054	0.215 Δ	10+	40+	75	1.1 ⊕		7.5	30 *	32.5	.008	0.08	.0034	.034	13.5 Δ	55+	7.5	0.18	0.7	1.7 ⊕	50	*0.50 ⊕	7.5	*0.8														
PO (PPM)	23		23	23	23			9																																							
BOD (PPM)	100		110	110	110	100		40		NA	NA																																				
COD (PPM)	300		325	325	325	300		120																																							
DO (PPM)	0	NA	0	0	0	1.0		0		0	0						0.1	2																													
SS (PPM)	200		220	220	220	180		200		35,000	35,000						10,000	2,000																													
SSV (PPM)	130		145	145	145	140		130		26,000	26,000						7,500	1,500																													
RC (PPM)	0	10,000	0	0	0	0		0		0	0						0	0																													
N (PPM)	25		28	28	28	28		11																																							
NN (PPM)	0	NA	0	0	0	0		0																																							
NH3 (PPM)	20		22	22	22	22		9																																							

POSITION	42	43	44	45	46	47	48	49	50	51	52	53	54	55	56	57	58	59	60	61	62	63	64	65	66	67	68	69	70	71	72	73	74	75	76	77	78	79					
P (FT. H2O)	112	130	130					127	127.5	135	10+	127.5	138.5	130	160	130	160	130	127	127	115	115	112	135	125	125	124	75+	112	115	175	175	0	10+	10+	10+	10+	132	175	130			
T (F°)	65	65	65					65	65	65	100	65	70	70	70	70	65	70	65	65	65	65	65	65	65	65	65	110	65	95	65	65	70	170	170	170	170	65	65	65			
F (MGD)	50	0.073	0.33					7.5	.0125	.05	1.7 ⊕	11.0 ⊕	44.0 ⊕	.005	.005	.002	.005	0.01	50	8.3	8.3	25	22 Δ	0.7	0.176	0.163	0.54	.039 ⊕	1.08	0.54	2.3	0.7	60 ⊕	10 ⊕	20 ⊕	30 ⊕	60 ⊕	2.3	0.7	0.54			
PO (PPM)	2																		2	2	2	2	2																				
BOD (PPM)	3							NA	NA	NA									7	7	3	3	100																				
COD (PPM)	45				DELETE	DELETE													50	50	45	45	300	NA	NA	NA	NA	NA	NA	NA	NA	NA	NA	NA	NA	NA	NA	NA	NA	NA	NA	NA	
DO (PPM)	5	NA	NA	DELETE	DELETE	.01	.01	.01											1	1	0	0	0																				
SS (PPM)	3					10,000	10,000	10,000		NA-AIR	NA-SCUM	NA-SCUM	NA-METHANOL	NA-POLYMER	NA-POLYMER	NA-METHANOL	NA-POLYMER		10	10	3	3	500	8,000	10,000	40,000	40,000	NA-AIR	1,000	32,500	200	200	NA-AIR	NA-AIR	NA-AIR	NA-AIR	NA-AIR	200	200	40,000			
SSV (PPM)	2					6,000	6,000	6,000		NA-AIR	NA-SCUM	NA-METHANOL	NA-POLYMER	NA-POLYMER	NA-METHANOL	NA-POLYMER		6	6	2	2	300	6,000	1,000	25,000	25,000	NA-AIR	500	17,500	100	100	NA-AIR	NA-AIR	NA-AIR	NA-AIR	NA-AIR	100	100	25,000				
RC (PPM)	1.0	10,000	10,000																0	0	0	0	0																				
N (PPM)	1.0																		2	2	1.0	1.0	20																				
NN (PPM)	1.0	NA	NA																20	20	1.0	1.0	1.0																				
NH3 (PPM)	0																		0	0	0	0	0																				

SHEET 2

- F 101 COARSE BAR SCREENS
- F 102 FINE SCREENS
- J 101 RAW SEWAGE PUMPS
- J 102 GRIT CROSS COLLECTOR, SCREW TYPE
- J 103 GRIT ELEVATOR SCREW TYPE
- J 115 SAMPLE PUMP
- O 901 EMERGENCY BYPASS OVERFLOW STRUCTURE
- T 101 PLANT INFLUENT CONTROL STRUCTURE
- T 102 SUCTION WELL
- T 103 GRIT RECEPICLES
- T 104 AERATED GRIT CHAMBERS
- T 108 FIRST STAGE AERATION BASIN
- T 801 STARTING AIR RECEIVER

SHEET 3

- A 100 MECHANICAL AERATOR
- J 105 AIR LIFTS, RETURN SLUDGE
- J 106 WASTE SLUDGE PUMPS, STAGE 1
- J 107 SCUM PUMPS, STAGE 1
- T 107 AERATED SCUM TANK
- T 109 MIXED LIQUOR DISTRIBUTION BOX

TABLE OF ABBREVIATIONS

- P Pressure
- T Temperature
- F Flow
- PO Phosphates
- BOD 5 Day Biochemical Oxygen Demand
- COD Chemical Oxygen Demand
- DO Dissolved Oxygen
- SS Suspended Solids, Total
- SSV Suspended Solids, Volatile Matter
- RC Residual Chlorine
- N Nitrogen, Total Kjeldahl (Organic+NH3)
- NN Nitrogen, Nitrate
- NH3 Ammonia

SHEET 3 (CONT.)

- T 110 SETTLING TANKS, STAGE 1
- T 111 SLUDGE DISCHARGE CHANNEL, STAGE 1
- T 121 SECOND STAGE AERATION BASIN

SHEET 4

- A 100 MECHANICAL AERATOR
- F 103 GRAVITY FILTERS
- J 122 WASTE SLUDGE PUMPS, STAGE 2
- J 123 AIR LIFTS, RETURN SLUDGE
- J 124 SCUM PUMPS, STAGE 2
- J 201 LIQUID ALUM PUMPS
- J 202 INJECTOR, ALUM
- J 301 LIQUID ALUMINATE PUMPS
- J 302 INJECTOR, ALUMINATE
- J 501 METHANOL TRANSFER PUMPS
- J 502 INJECTOR, METHANOL
- T 107 AERATED SCUM TANK
- T 112 RAPID MIX TANK
- T 122 FLOW DISTRIBUTION BOX

LEGEND OF SYMBOLS

- * Million cu. ft. per day
- ⊕ Thousand cu. ft. per minute
- Δ Intermittent flow
- + psig
- ⊕ cu. ft. per day
- ⊕ Stop log
- ⊕ Syphon breaker
- ⊕ Sluice gate
- ⊕ To controlled device, input or control setting
- ⊕ To Processor (arrow)
- (A) Analog
- (D) Digital
- P Elevation C.C.D., datum

EQUIPMENT IDENTIFICATION

SHEET 4 (CONT.)

- T 123 SLUDGE DISCHARGE CHANNEL, STAGE 2
- T 124 SETTLING TANKS STAGE 2
- T 201 LIQUID ALUM STORAGE
- T 301 LIQUID SODIUM ALUMINATE STORAGE
- T 501 METHANOL STORAGE

SHEET 5

- A 100 MECHANICAL AERATOR
- F 104 AIR FILTERS
- J 108 SLUDGE TRANSFER PUMPS, STORMWATER
- J 109 SCUM PUMPS, STORMWATER FLOW
- J 112 SERVICE WATER PUMPS
- J 113 WASH WATER PUMPS
- J 114 SAMPLE PUMP
- J 401 HYPOCHLORITE PUMPS, DIAPHRAGM
- J 402 HYPOCHLORITE PUMPS, GEAR
- J 601 POLYMER TRANSFER PUMPS
- J 602 POLYMER FEED PUMPS
- J 603 POLYMER EDUCTOR
- T 105 DISTRIBUTION BOX, STORMWATER FLOW

ADDITIONS TO M SOGC STANDARDS

- B Bearing Temperature
- W Winding Temperature
- NA Not applicable
- ⊕ Chlorination point
- ORP Oxidation reduction potential
- FF Ratio (fraction) Station or Controller
- TUR Turbidity
- CR Computing Relay
- R Relay
- SS Selector or Sequence switch
- SW Switch (when used alone or as 2nd and 3rd letters in instrument designation)
- Q Totalizer

ADDITIONS TO M SOGC STANDARDS (CONT.)

- C.A Current relay
- BPV Backpressure valve
- MS Motor starter
- PRV Pressure reducing valve
- SR Selective or comparing relay
- IA Status or Alarm Contact
- VM Vane positioning motor
- VPT Vane position transmitter
- SCR Silicon controlled rectifier
- EP Emergency power
- o Identified in Section 15EE, Table 1

SHEET 5 (CONT.)

- T 108 SETTLING TANKS, STORMWATER
- T 107 AERATED SCUM TANK
- T 113 CLEAR WELL
- T 114 JUNCTION CHAMBER
- T 115 JUNCTION CHAMBER
- T 401 LIQUID HYPOCHLORITE TANKS
- T 601 LIQUID POLYMER STORAGE TANKS
- T 602 POLYMER MIXING TANKS
- T 603 POLYMER FEED TANKS
- V 103 AIR BLOWER, MOTOR DRIVE
- V 104 AIR BLOWER, TURBINE DRIVE

SHEET 6

- H 101 HEAT EXCHANGERS, DIGESTER HEATING
- J 110 DIGESTER SLUDGE PUMPS
- J 111 DIGESTER SCUM PUMPS
- J 116 AIR LIFTS, SLUDGE TRANSFER
- J 117 REAERATION PUMPS
- J 118 RECYCLE PUMPS

SHEET 6 (CONT.)

- J 120 THICKENED SLUDGE PUMPS
- J 121 HOT WATER CIRCULATING PUMPS
- J 125 SLUDGE RECIRCULATING PUMPS
- T 117 SLUDGE HOLDING TANKS
- T 118 SLUDGE FLOTATION UNITS
- T 119 RETENTION TANKS
- T 120 AIR RECEIVER
- T 127 DIGESTERS
- V 119 AIR COMPRESSORS
- V 701 DIGESTER GAS COMPRESSORS
- T 701 DIGESTER GAS RECEIVERS

PIPE IDENTIFICATION

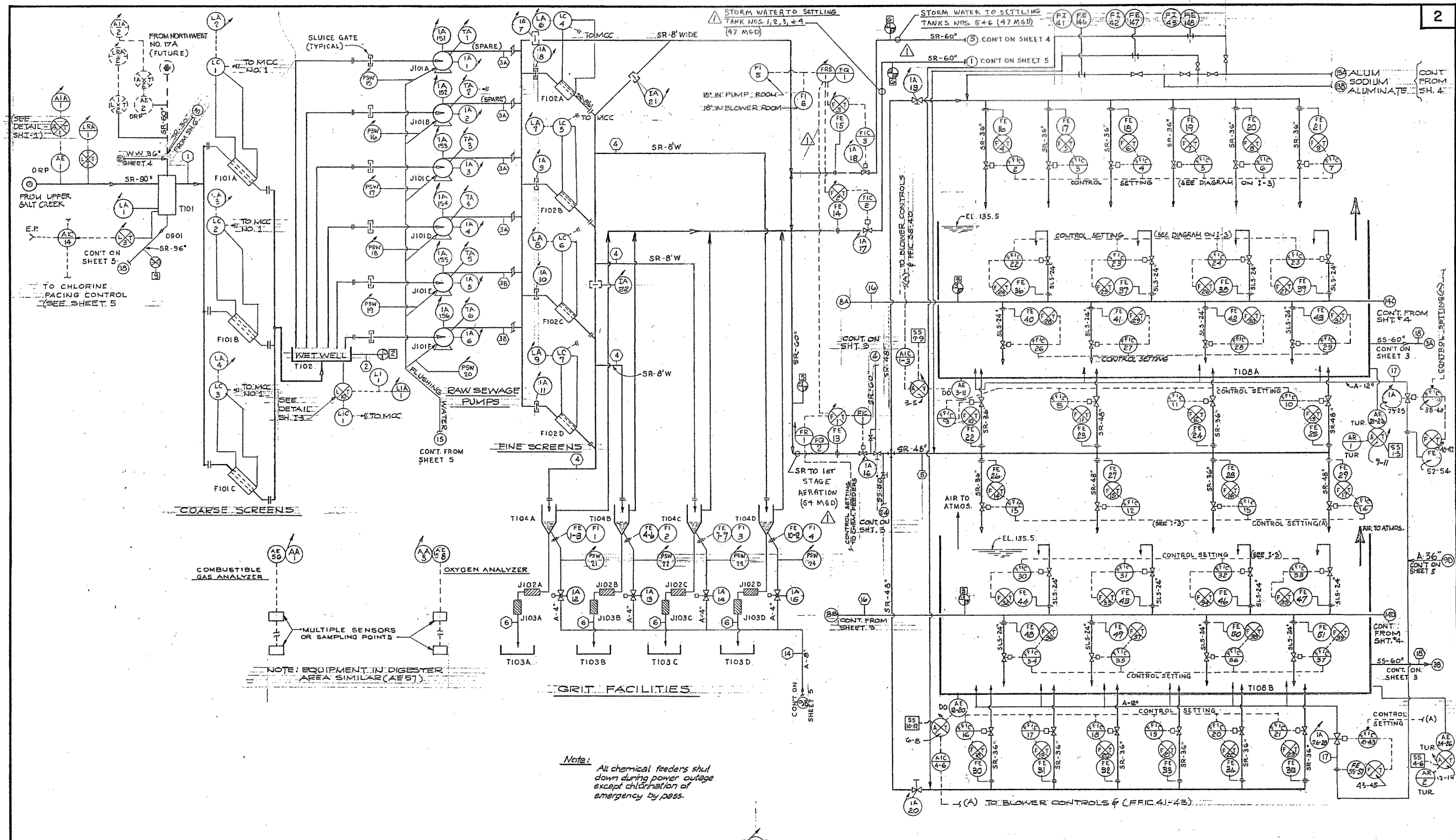
- A AIR
- AL ALUM
- AM AMMONIA
- CD CARBON DIOXIDE
- FC FERRIC CHLORIDE
- GD GAS DIGESTER
- GN GAS NATURAL
- GR GRIT
- HC HYPOCHLORITE
- LO LUBRICATION OIL
- S STEAM
- SC SCUM
- SCR STEAM CONDENSATE RETURN
- SLP SLUDGE PRIMARY
- SLS SLUDGE SECONDARY
- SLD SLUDGE DIGESTED
- SP SEWAGE PRIMARY TREATED
- SR SEWAGE RAW
- SS SEWAGE SECONDARY TREATED
- ST SEWAGE TERTIARY TREATED
- WC WATER COOLING
- WP WATER POTABLE
- WW WASTEWATER OR WASHWATER
- SA SODIUM ALUMINATE
- M METHANOL

BUILT AS SHOWN
EXCEPT AS NOTED
Michael J. ...
Contractor
M.S.D. Resident Engineer



CAMP, DRESSER & MCKEE
CONSULTING ENGINEERS
BOSTON, MASSACHUSETTS
DRAWN BY: J.M.
CHECKED BY: ENFEG J.MER
APPROVED BY: D.G. Root
M SOGC EXAMINED BY: M.P. ...

NOTES:



NOTE: EQUIPMENT IN DIGESTER AREA SIMILAR (AES)

Note: All chemical feeders shut down during power outage except on operation of emergency by pass.



CAMP, DRESSER & McKEE
CONSULTING ENGINEERS
BOSTON, MASSACHUSETTS

DRAWN BY: J.M.
CHECKED BY: FEG & MER
APPROVED BY: D.G. KURT
MSDC EXAMINED BY: [Signature]

NO.	DATE	REVISION	FILE
1	6-25-73	INTERCHANGE FE-13 + FE-14 AND RELATED INSTRUMENTATION AND ADDS NOMENCLATURE TO INDICATE STORM WATER FLOWS	11C5

Correct: *John Vavichopoulos*
Engr. of Plant O&M & Pollution Control

Approved: *Robert Barkner*
Assistant Chief Engineer

Approved As To Operations: *Paul P. Sweeney*
Acting Chief of M&O

Approved: *J.C. Noel*
Acting Chief Engineer

BUILT AS SHOWN EXCEPT AS NOTED

Walt Howard
Contractor

M.S.D. Resident Engineer

THE METROPOLITAN SANITARY DISTRICT
OF GREATER CHICAGO

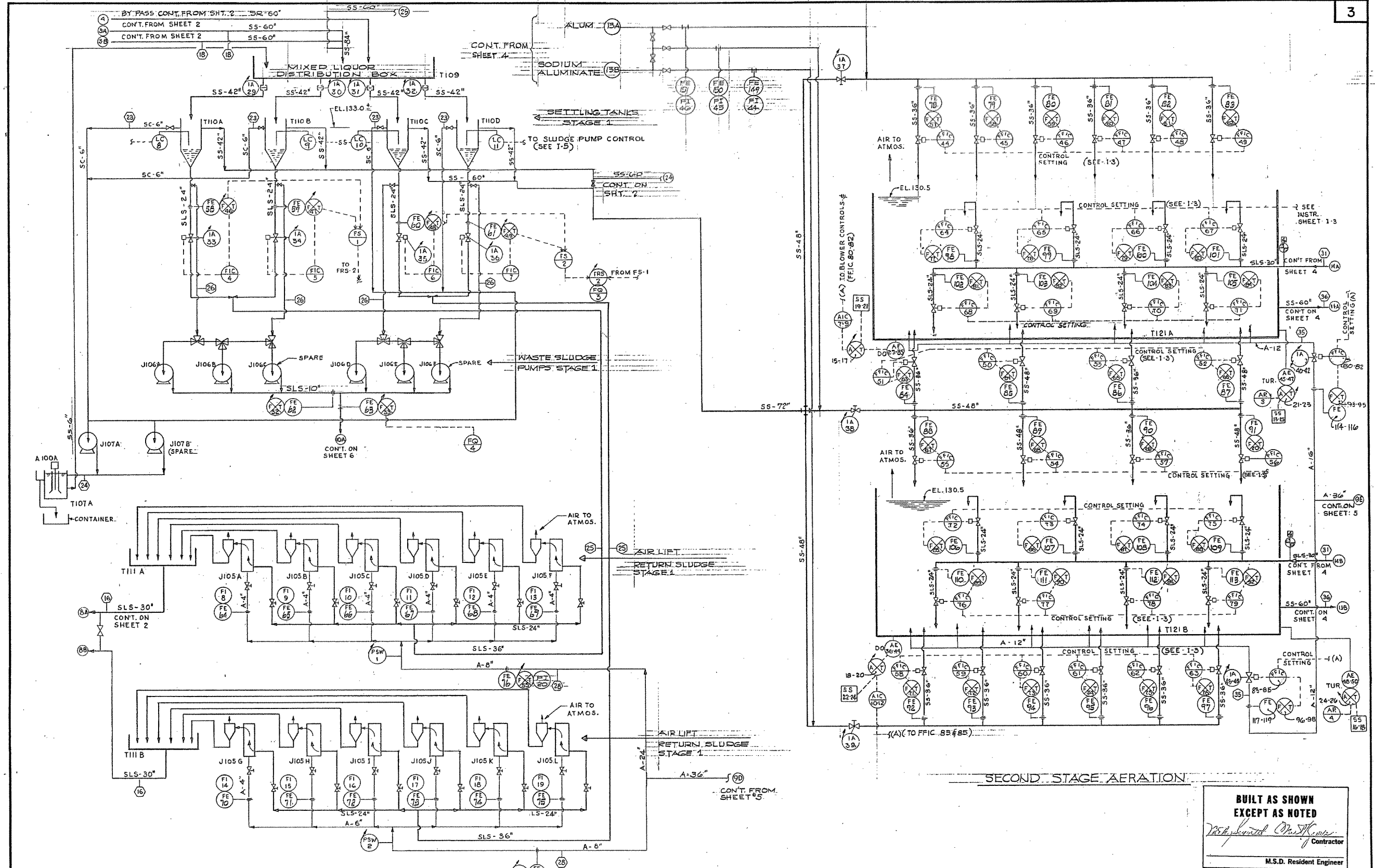
SALT CREEK WATER RECLAMATION PLANT
CONTRACT NO. 68-402-2P

PROCESS FLOW DIAGRAM

DECEMBER, 1969
SHEET NO. P 2

SCALE NONE

11-1-71



**BUILT AS SHOWN
EXCEPT AS NOTED**
Robert Bauhin
 Contractor
 M.S.D. Resident Engineer

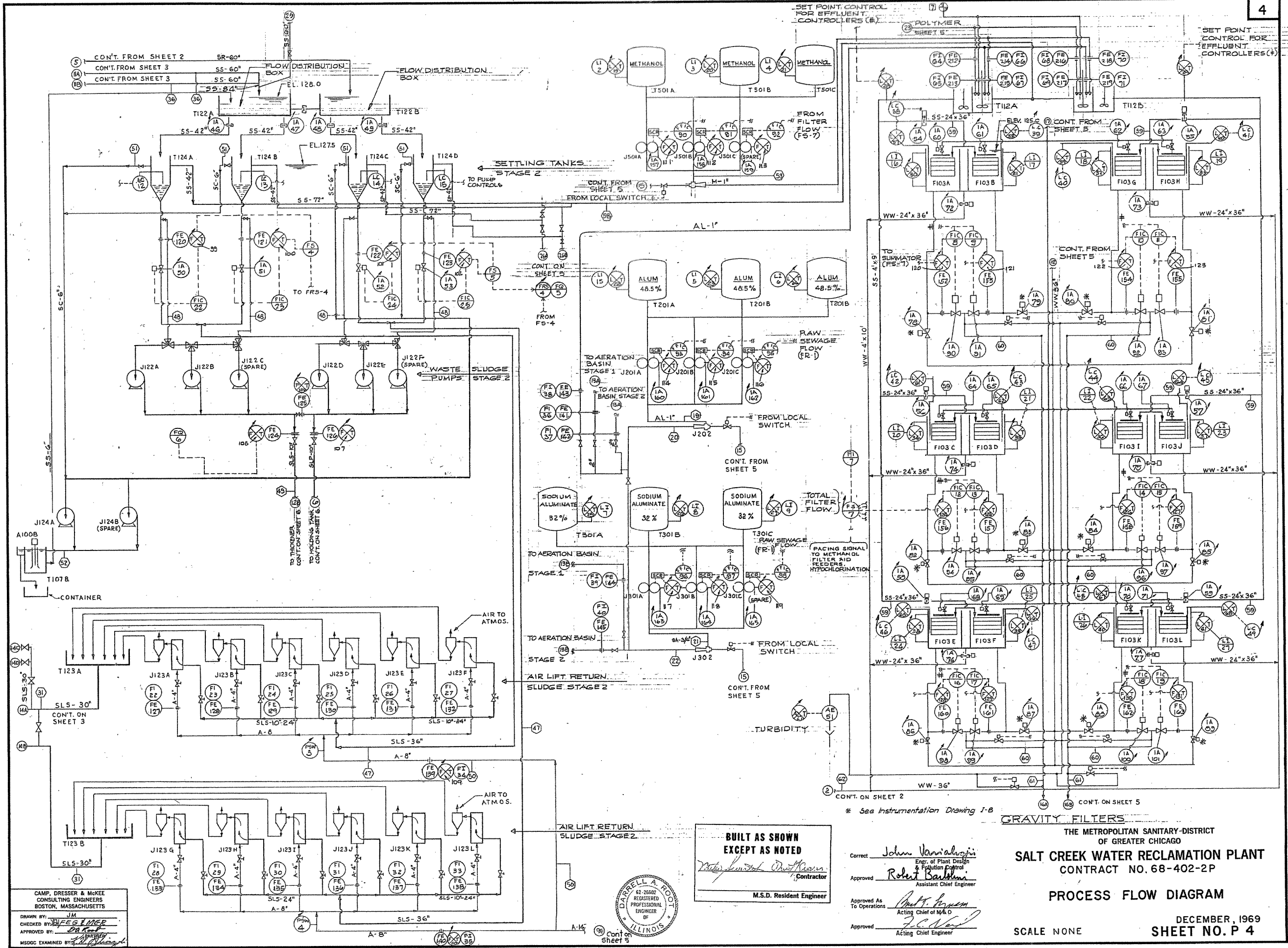
THE METROPOLITAN SANITARY DISTRICT
OF GREATER CHICAGO
SALT CREEK WATER RECLAMATION PLANT
 CONTRACT NO. 68-402-2P
PROCESS FLOW DIAGRAM
 DECEMBER, 1969
 SHEET NO. P 3
 SCALE NONE

Correct *John Vannicola*
 Engr. of Plant Design & Pollution Control
 Approved *Robert Bauhin*
 Assistant Chief Engineer
 Approved As To Operations *Paul T. Johnson*
 Acting Chief of M & O
 Approved *F.C. Ward*
 Acting Chief Engineer



CAMP, DRESSER & MCKEE
CONSULTING ENGINEERS
BOSTON, MASSACHUSETTS
 DRAWN BY: J.M.
 CHECKED BY: *W. FEGNER*
 APPROVED BY: *D.O. Root*
 MSDGC EXAMINED BY: *[Signature]*

M.F. 11-8-74



CAMP, DRESSER & McKEE
CONSULTING ENGINEERS
BOSTON, MASSACHUSETTS

DRAWN BY: J.M.
CHECKED BY: J.F. GILMER
APPROVED BY: [Signature]
MSDC EXAMINED BY: [Signature]



**BUILT AS SHOWN
EXCEPT AS NOTED**

[Signature]
Contractor

[Signature]
M.S.D. Resident Engineer

Correct: John Varialojis
Engr. of Plant Design
& Pollution Control

Approved: Robert Barden
Assistant Chief Engineer

Approved As To Operations: [Signature]
Acting Chief of M&O

Approved: [Signature]
Acting Chief Engineer

THE METROPOLITAN SANITARY-DISTRICT
OF GREATER CHICAGO

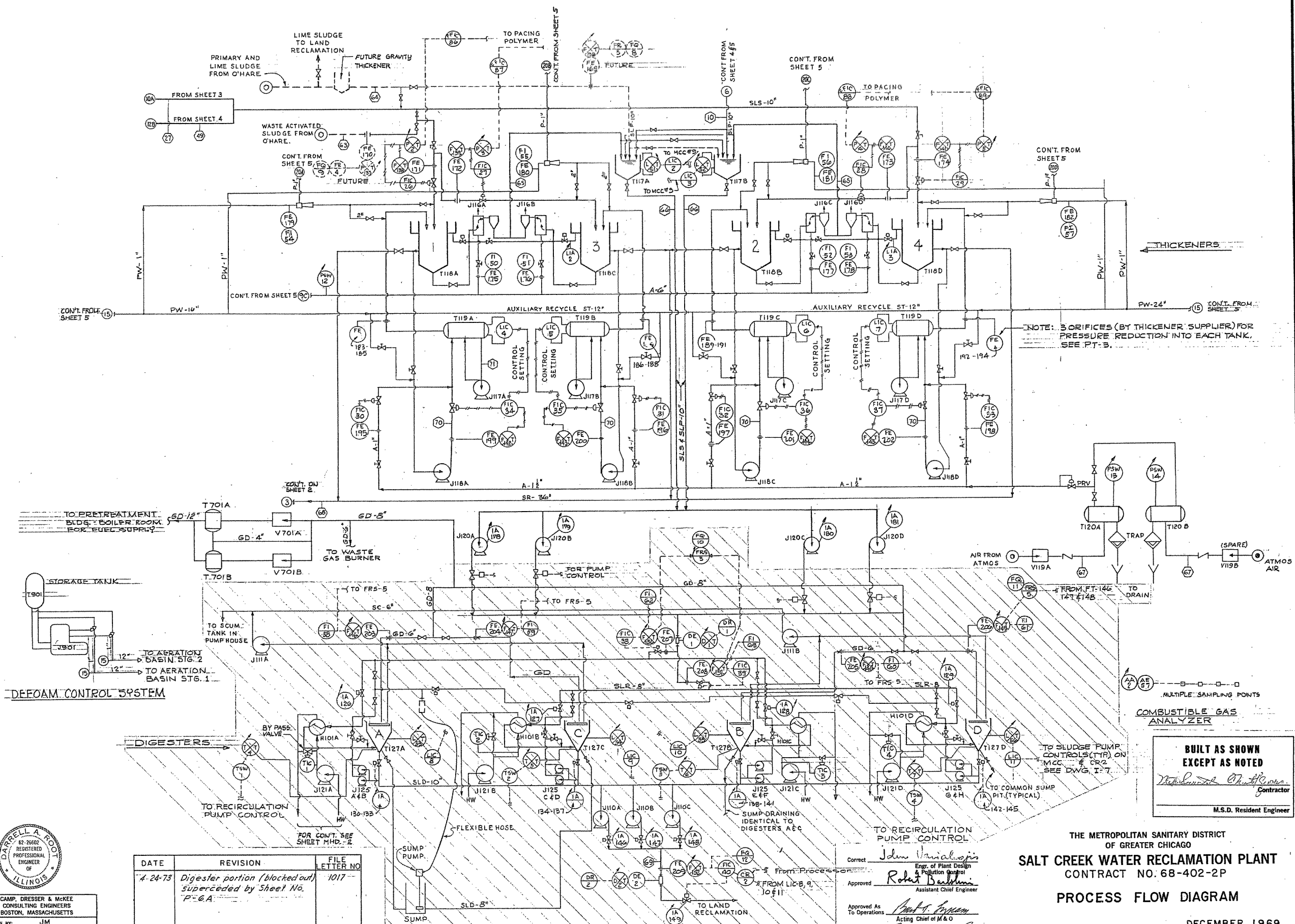
SALT CREEK WATER RECLAMATION PLANT
CONTRACT NO. 68-402-2P

PROCESS FLOW DIAGRAM

DECEMBER, 1969
SHEET NO. P 4

SCALE NONE

11-P-24
S/2447



CAMP, DRESSER & MCKEE
CONSULTING ENGINEERS
BOSTON, MASSACHUSETTS

DRAWN BY: JIM
CHECKED BY: J.E. FEGEMER
APPROVED BY: D.D. Root
MSDC EXAMINED BY: [Signature]

DATE	REVISION	FILE LETTER NO
4-24-73	Digester portion (blocked out) superceded by Sheet No. P-6A	1017

Correct: John Variolovich
Engr. of Plant Design & Pollution Control

Approved: Robert Burdick
Assistant Chief Engineer

Approved As To Operations: [Signature]
Acting Chief of M & O

Approved: [Signature]
Acting Chief Engineer

THE METROPOLITAN SANITARY DISTRICT
OF GREATER CHICAGO

SALT CREEK WATER RECLAMATION PLANT
CONTRACT NO. 68-402-2P

PROCESS FLOW DIAGRAM

DECEMBER, 1969
SHEET NO. P 6

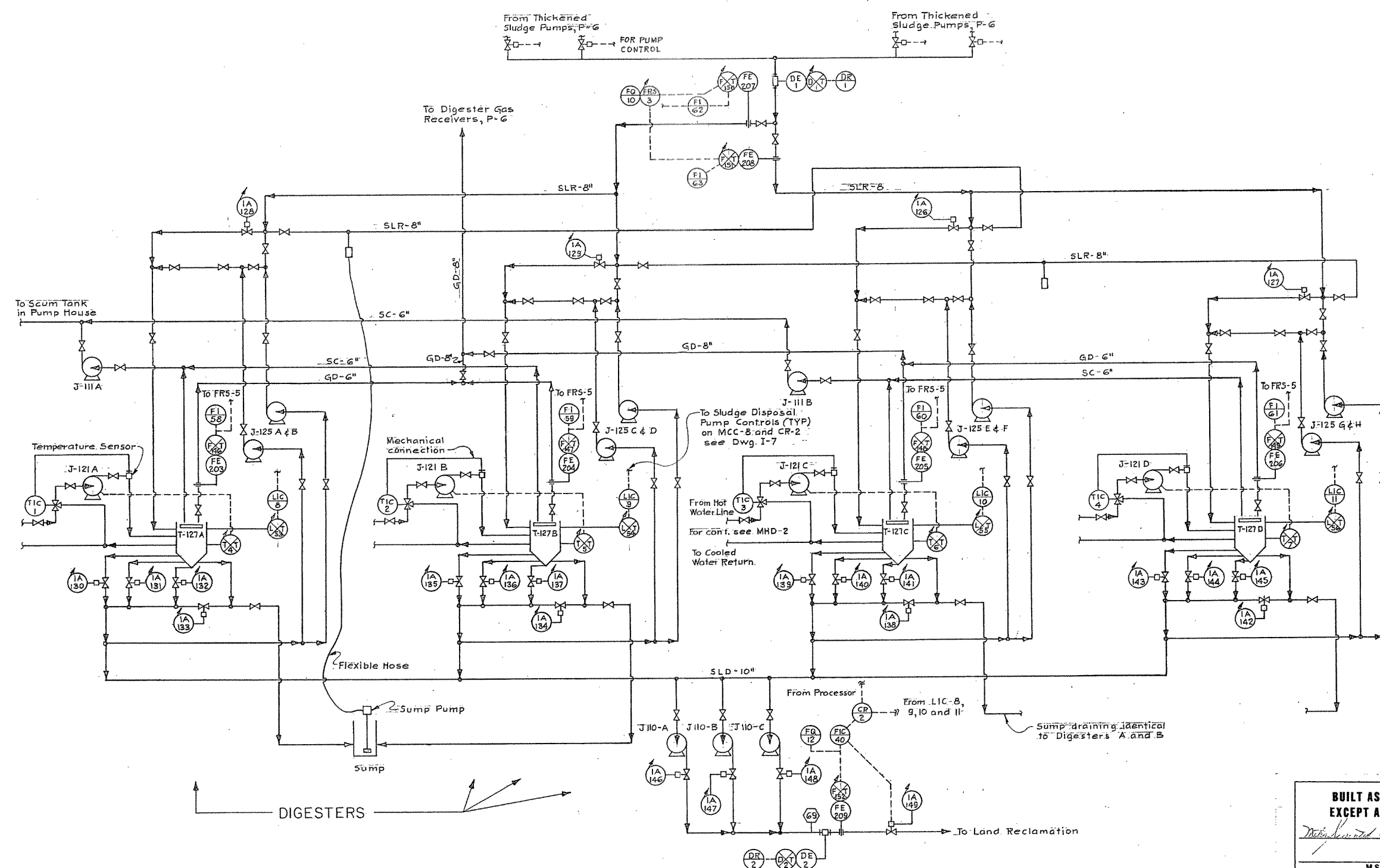
SCALE NONE

**BUILT AS SHOWN
EXCEPT AS NOTED**

[Signature]
Contractor

M.S.D. Resident Engineer

M.F. 11-8-74

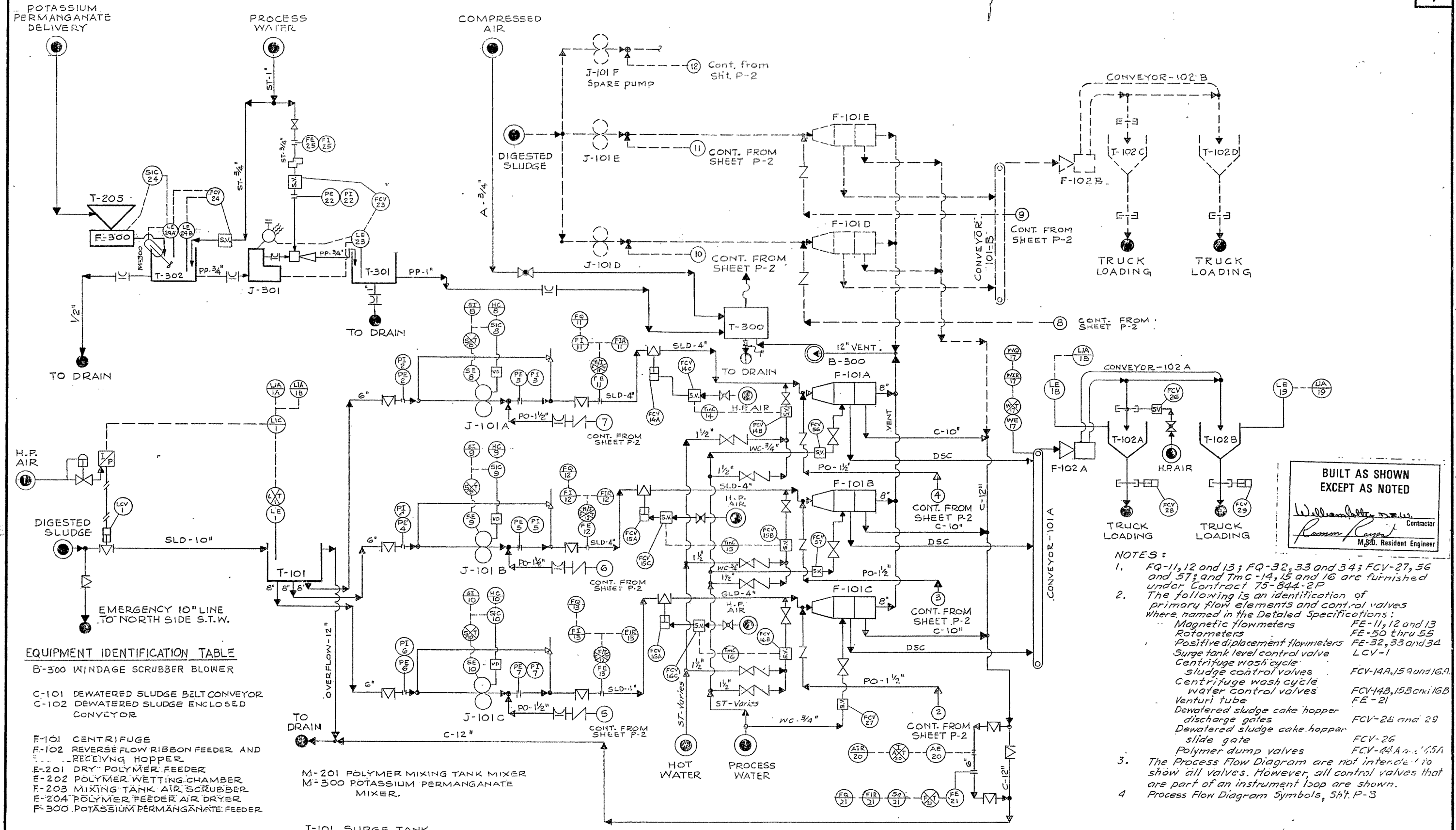


DIGESTERS

**BUILT AS SHOWN
EXCEPT AS NOTED**
John Howard Christensen
Contractor
M.S.D. Resident Engineer

DATE	REVISION	FILE LETTER NO.	THE METROPOLITAN SANITARY DISTRICT OF GREATER CHICAGO	
4-24-73	Supersedes digester portion of Sheet No. P-6	1017	SALT CREEK WATER RECLAMATION PLANT CONTRACT NO. 68-402-2P PROCESS FLOW DIAGRAM	
Correct: _____ Approved: _____ Assistant Chief Engineer Approved As To Operations: _____ Chief of M. & O. Approved: _____ Chief Engineer				
Sump draining identical to Digesters A and B			SCALES SHOWN ARE SCALES OF TRACINGS	
Drawn <i>N. Tregubow</i> Checked <i>R. Sand</i> Examined _____			DATE APRIL, 1973	SHEET NO. P-6A

MP 11-8-73



EQUIPMENT IDENTIFICATION TABLE

B-300 WINDAGE SCRUBBER BLOWER
C-101 DEWATERED SLUDGE BELT CONVEYOR
C-102 DEWATERED SLUDGE ENCLOSED CONVEYOR
F-101 CENTRIFUGE
F-102 REVERSE FLOW RIBBON FEEDER AND RECEIVING HOPPER
E-201 DRY POLYMER FEEDER
E-202 POLYMER WETTING CHAMBER
F-203 MIXING TANK AIR SCRUBBER
E-204 POLYMER FEEDER AIR DRYER
F-300 POTASSIUM PERMANGANATE FEEDER
M-201 POLYMER MIXING TANK MIXER
M-300 POTASSIUM PERMANGANATE MIXER
T-101 SURGE TANK
T-102 DEWATERED SLUDGE (CAKE) HOPPER
T-201 DRY POLYMER HOPPER
T-202 POLYMER MIXING TANK
T-203 POLYMER FEED TANK
T-204 LIQUID POLYMER STORAGE TANK
T-205 BAG LOADING HOPPER
T-300 CENTRIFUGE WINDAGE SCRUBBER
T-301 POTASSIUM PERMANGANATE DILUTION TANK
T-302 POTASSIUM PERMANGANATE MIXING TANK
J-101 SLUDGE FEED PUMP
J-201 LIQUID POLYMER TRANSFER PUMP
J-202 POLYMER FEED PUMP
J-203 POLYMER FEEDER BLOWER
J-204 AIR SCRUBBER BLOWER
J-301 POTASSIUM PERMANGANATE TRANSFER PUMP

BUILT AS SHOWN EXCEPT AS NOTED

William J. McArthur
Contractor

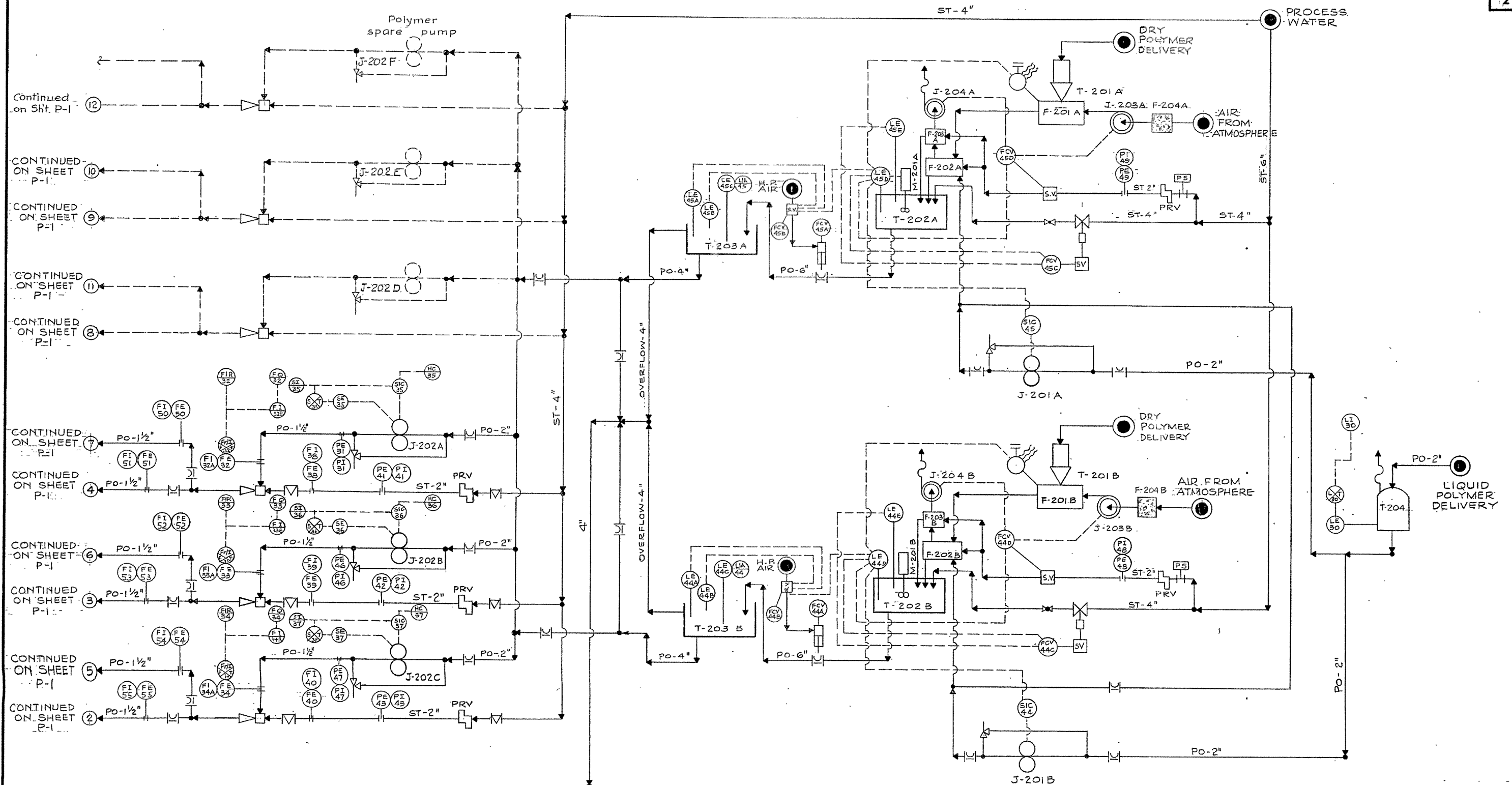
Ramon R. ...
M.S.D. Resident Engineer

- NOTES:**
- FQ-11, 12 and 13; FQ-32, 33 and 34; FCV-27, 56 and 57; and TmC-14, 15 and 16 are furnished under Contract 75-844-2P
 - The following is an identification of primary flow elements and control valves where named in the Detailed Specifications:

Magnetic flowmeters	FE-11, 12 and 13
Rotometers	FE-50 thru 55
Positive displacement flowmeters	FE-32, 33 and 34
Surge tank level control valve	LCV-1
Centrifuge wash cycle sludge control valves	FCV-14A, 15A and 16A
Centrifuge wash cycle water control valves	FCV-14B, 15B and 16B
Venturi tube	FE-21
Dewatered sludge cake hopper discharge gates	FCV-28 and 29
Dewatered sludge cake hopper slide gate	FCV-26
Polymer dump valves	FCV-44A and 45A
 - The Process Flow Diagram are not intended to show all valves. However, all control valves that are part of an instrument loop are shown.
 - Process Flow Diagram Symbols, SH'P-3

REVISIONS			THE METROPOLITAN SANITARY DISTRICT OF GREATER CHICAGO		Correct <i>Robert J. McArthur</i> Engr. of Process Design
NO.	DATE	BY	THE JOHN E. EGAN WATER RECLAMATION PLANT		
			CONTRACT 73-415-2P		Approved <i>Robert Baolin</i> Assistant Chief Engineer
			SITE PREPARATION - MECHANICAL DEWATERING FACILITIES		Approved <i>J.C. ...</i> Chief Engineer
			PROCESS FLOW DIAGRAM		
			Drawn <i>SIMONIAN</i>	DESIGNED <i>...</i>	Checked <i>R. ...</i>
			DATE AUG., 1979		SHEET NO. P-1

SCALES SHOWN ARE SCALES OF TRACINGS



Continued on Sht. P-1 (12)

CONTINUED ON SHEET P-1 (10)

CONTINUED ON SHEET P-1 (9)

CONTINUED ON SHEET P-1 (11)

CONTINUED ON SHEET P-1 (8)

CONTINUED ON SHEET P-1 (7)

CONTINUED ON SHEET P-1 (4)

CONTINUED ON SHEET P-1 (6)

CONTINUED ON SHEET P-1 (3)

CONTINUED ON SHEET P-1 (5)

CONTINUED ON SHEET P-1 (2)

BUILT AS SHOWN
EXCEPT AS NOTED

William Patterson E.W.
Contractor

Ramon Rios
M.S.D. Resident Engineer

REVISIONS		
NO.	DATE	BY

THE METROPOLITAN SANITARY DISTRICT
OF GREATER CHICAGO

THE JOHN E. EGAN WATER RECLAMATION PLANT
CONTRACT 73-415-2P
SITE PREPARATION - MECHANICAL DEWATERING FACILITIES

PROCESS FLOW DIAGRAM

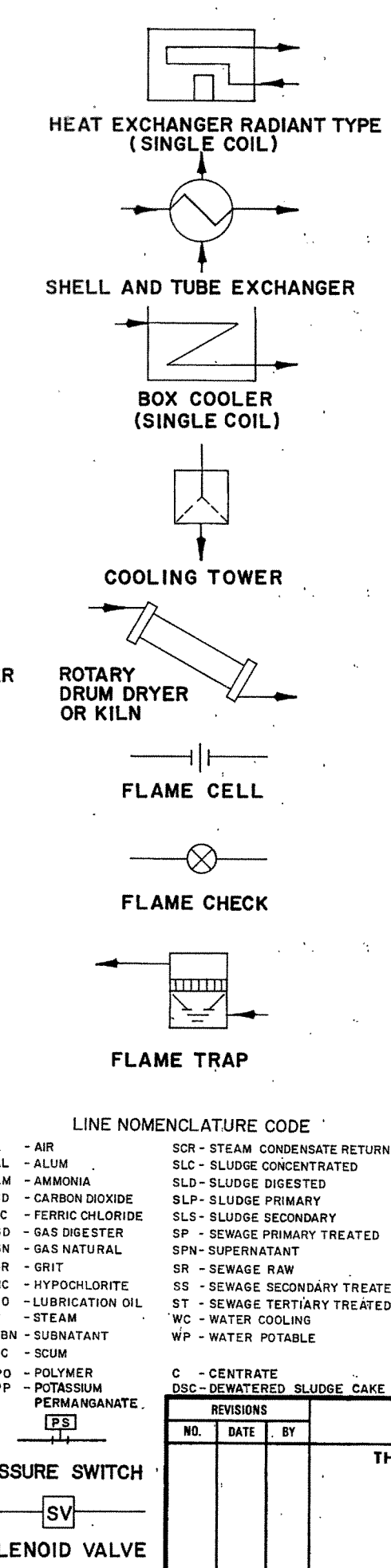
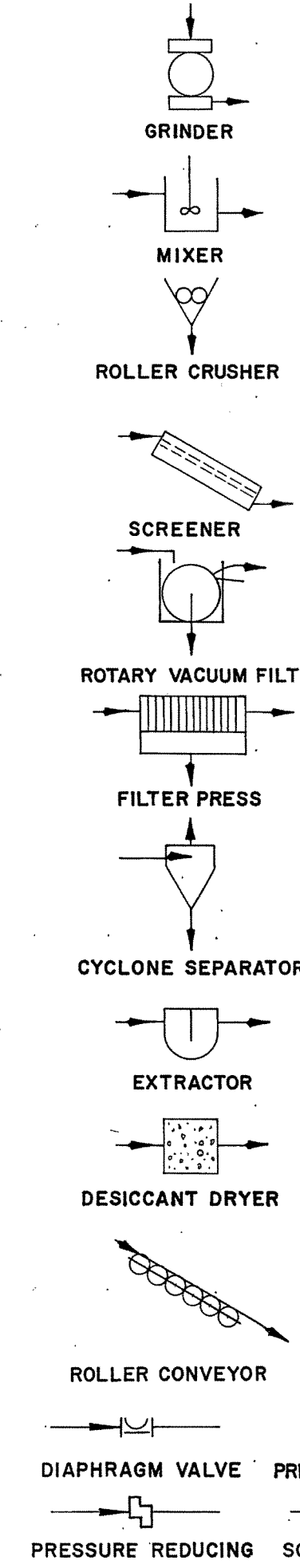
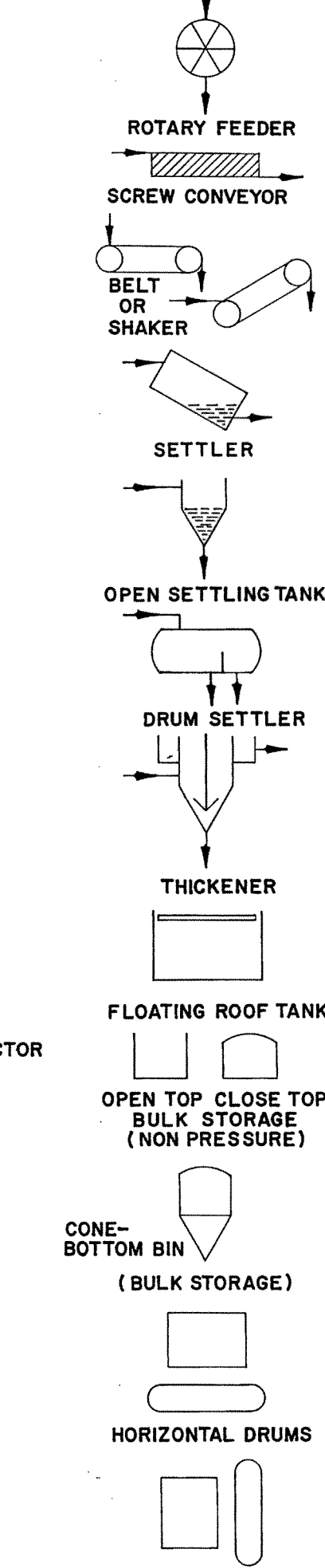
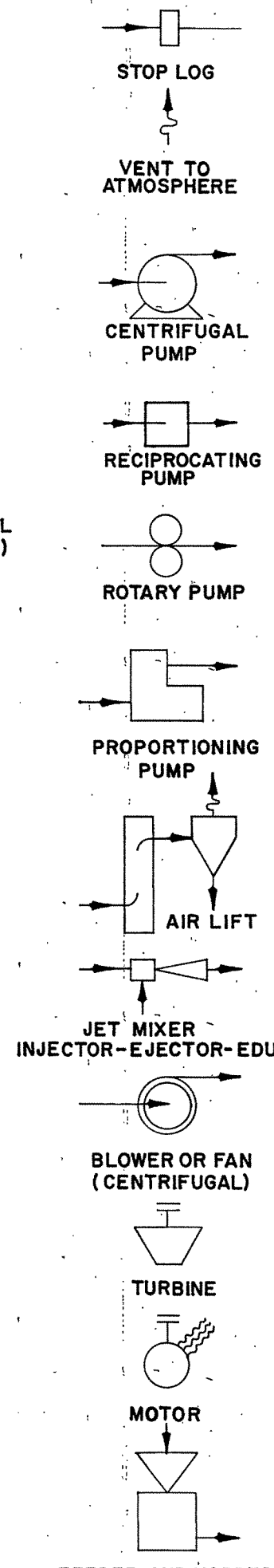
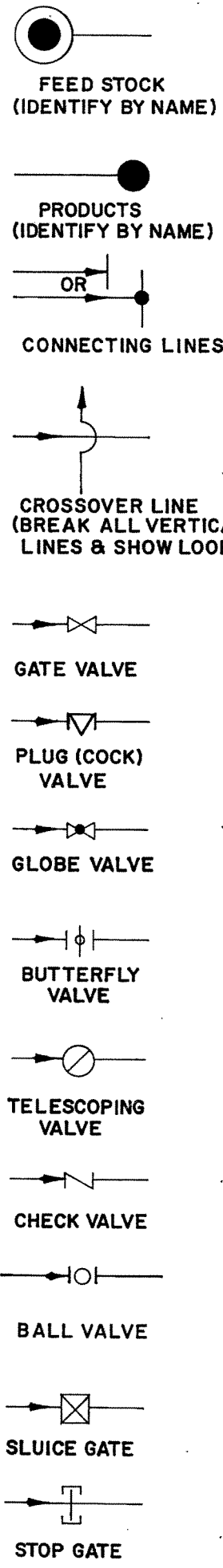
Drawn SIMONIAN DESIGNED J. Van Dyke Checked R. S. ... DATE AUG., 1979 SHEET NO. P-2

Correct *Robert J. McLaughlin*
Engr. of Process Design

Approved *Robert Baiblani*
Assistant Chief Engineer

Approved *F.C. Neelke*
Chief Engineer

SCALES SHOWN ARE
SCALES OF TRACINGS



INSTRUMENTATION SYMBOLS

INSTRUMENT PROCESS PIPING (PRESSURE DIFFERENTIAL, ETC., CONNECTING LEAD LINES; ALSO HYDRAULIC ACTUATING MEDIUM LINES)

INSTRUMENT AIR LINES

INSTRUMENT ELECTRICAL LEADS

INSTRUMENT CAPILLARY TUBING

ALL LINES TO BE FINE IN RELATION TO PROCESS PIPING

LOCALLY MOUNTED BOARD MOUNTED

BASIC SYMBOLS FOR INSTRUMENT WITH SINGLE SERVICE AND FUNCTION

BASIC SYMBOLS FOR COMBINATION INSTRUMENT OR DEVICE WITH TWO SERVICES OR FUNCTIONS

BASIC SYMBOL FOR DIAPHRAGM OPERATED VALVE (PNEUMATIC)

BASIC SYMBOL FOR ELECTRICALLY OPERATED VALVE

BASIC SYMBOL FOR PISTON OPERATED VALVE (HYDRAULIC OR PNEUMATIC)

3-WAY BODY FOR ANY VALVE

BASIC SYMBOL FOR SAFETY (RELIEF) VALVE

INSTRUMENT TABLE ADDITIONS

VD-VARIABLE DRIVE

I/P-CURRENT TO PRESSURE TRANSDUCER

Sq-SQUARE ROOT EXTRACTOR

M/I-MAGNETIC TO CURRENT CONVERTER

FR/I-FREQUENCY TO ANALOG CONVERTER

PS-PRESSURE SWITCH

BUILT AS SHOWN EXCEPT AS NOTED

William Patten Contractor
Robert Royal M.S.D. Resident Engineer

INSTRUMENTATION TABLE
COMPLETE GENERAL IDENTIFICATIONS
(COMBINATIONS OF LETTERS)

SECOND AND THIRD LETTERS (TYPE OF DEVICE)

PROCESS VARIABLE (OR ACTUATION)	FIRST LETTER	CONTROLLING DEVICES				MEASURING DEVICES				ALARM DEVICES			
		RECORDING		TRANSMITTING		RECORDING		TOTALIZING		RECORDING		PRIMARY ELEMENT	
		INDICATING	CONTROL	INDICATING	CONTROL	INDICATING	SUMMATING	INDICATING	INDICATING	INDICATING	CONTROL VALVE		
ANALYSIS	A-	ARC	AIC	AC	AT	AR	AI	RA	IA	E	CV		
TEMPERATURE	T-	TRC	TIC	TC	TT	TR	TI	TRA	TIA	TE	TCV		
FLOW	F-	FRC	FIC	FC	FT	FR	FI	FRA	FIA	FE	FCV		
LEVEL	L-	LRC	LIC	LC	LT	LR	LI	LRA	LIA	LE	LCV		
PRESSURE	P-	PRC	PIC	PC	PT	PR	PI	PRA	PIA	PE			
DIFFERENTIAL PRESSURE	dP-	dPRC	dPIC	dPC	dPT	dPR	dPI	dPRA	dPIA	dPE			
DENSITY	D-	DRC	DIC	DC	DT	DR	DI	DRA	DIA	DE			
HAND	H-		HIC	HC									
CONDUCTIVITY	C-	CRC	CIC	CC	CT	CR	CI	CRA	CIA	CE			
SPEED	S-	SRC	SIC	SC	ST	SR	SI	SRA	SIA	SE			
VISCOSITY	V-	VRC	VIC	VC	VT	VR	VI	VRA	VIA	VE			
WEIGHT	W-	WRC	WIC	WC	WT	WR	WI	WRA	WIA	WE			
TIME	Tm				TmC								

- LINE NOMENCLATURE CODE
- A - AIR
 - AL - ALUM
 - AM - AMMONIA
 - CD - CARBON DIOXIDE
 - FC - FERRIC CHLORIDE
 - GD - GAS DIGESTER
 - GN - GAS NATURAL
 - GR - GRIT
 - HC - HYPOCHLORITE
 - LD - LUBRICATION OIL
 - S - STEAM
 - SBN - SUBNATANT
 - SC - SCUM
 - PO - POLYMER
 - PP - POTASSIUM PERMANGANATE
 - SCR - STEAM CONDENSATE RETURN
 - SLC - SLUDGE CONCENTRATED
 - SLD - SLUDGE DIGESTED
 - SLP - SLUDGE PRIMARY
 - SLS - SLUDGE SECONDARY
 - SP - SEWAGE PRIMARY TREATED
 - SPN - SUPERNATANT
 - SR - SEWAGE RAW
 - SS - SEWAGE SECONDARY TREATED
 - ST - SEWAGE TERTIARY TREATED
 - WC - WATER COOLING
 - WP - WATER POTABLE
 - C - CENTRATE
 - DSC - DEWATERED SLUDGE CAKE

THE METROPOLITAN SANITARY DISTRICT
OF GREATER CHICAGO

THE JOHN E. EGAN WATER RECLAMATION PLANT
CONTRACT 73-415-2P
SITE PREPARATION - MECHANICAL DEWATERING FACILITIES

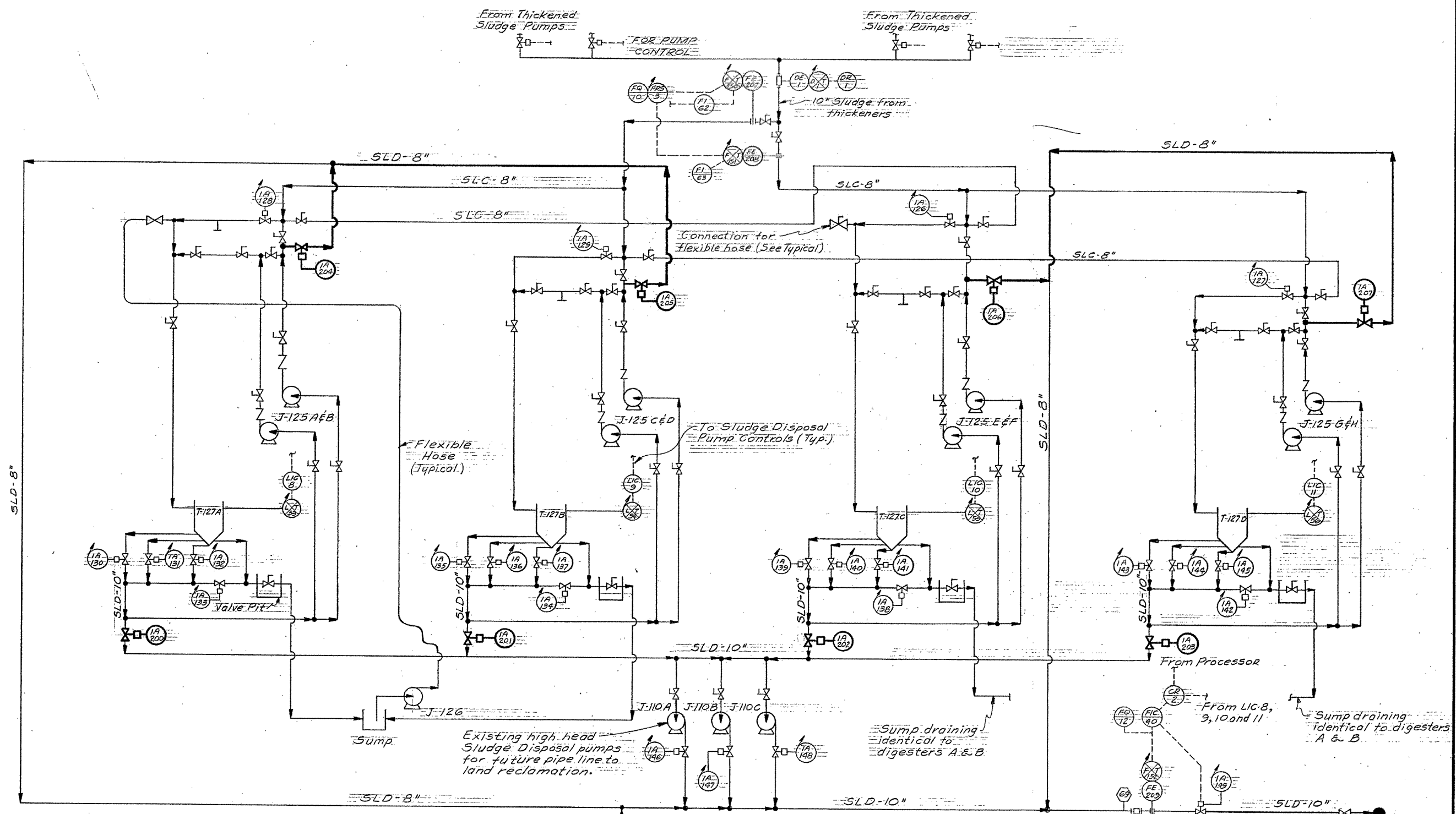
PROCESS FLOW DIAGRAM SYMBOLS

REVISIONS		
NO.	DATE	BY

Correct *Robert L. McLaughlin* Engr. of Process Design
Approved *Robert Baldwin* Assistant Chief Engineer
Approved *F.C. Neuh* Chief Engineer

SCALES SHOWN ARE SCALES OF TRACINGS.

DESIGNED *[Signature]* Checked *R. S. [Signature]* DATE AUG., 1979 SHEET NO. P-3



- EQUIPMENT IDENTIFICATION**
- T-127 Digesters
 - J-110 Digester Sludge Pumps
 - J-125 Sludge Recirculating Pumps
 - J-126 Sump Pump
- PIPE IDENTIFICATION**
- SLC Sludge Concentrated
 - SLD Sludge digested
- Legend**
- Work under Contract 74-416-2P
 - Existing piping, valves, etc.

BUILT AS SHOWN EXCEPT AS NOTED

THE NU-SAY CONTRACTING CORP. **ADD**
Contractor

M.S.D. Resident Engineer

REVISIONS		
NO.	DATE	BY

THE METROPOLITAN SANITARY DISTRICT OF GREATER CHICAGO

THE JOHN E. EGAN WATER RECLAMATION PLANT

CONTRACT 74-416-2P

ALTERNATE SLUDGE DISPOSAL FACILITIES

PROCESS FLOW DIAGRAM

Drawn: SIMONIAN Checked: C. Anderson Examined: W.A. Taylor

Correct: Robert L. McCarty
Engr. of Process Design

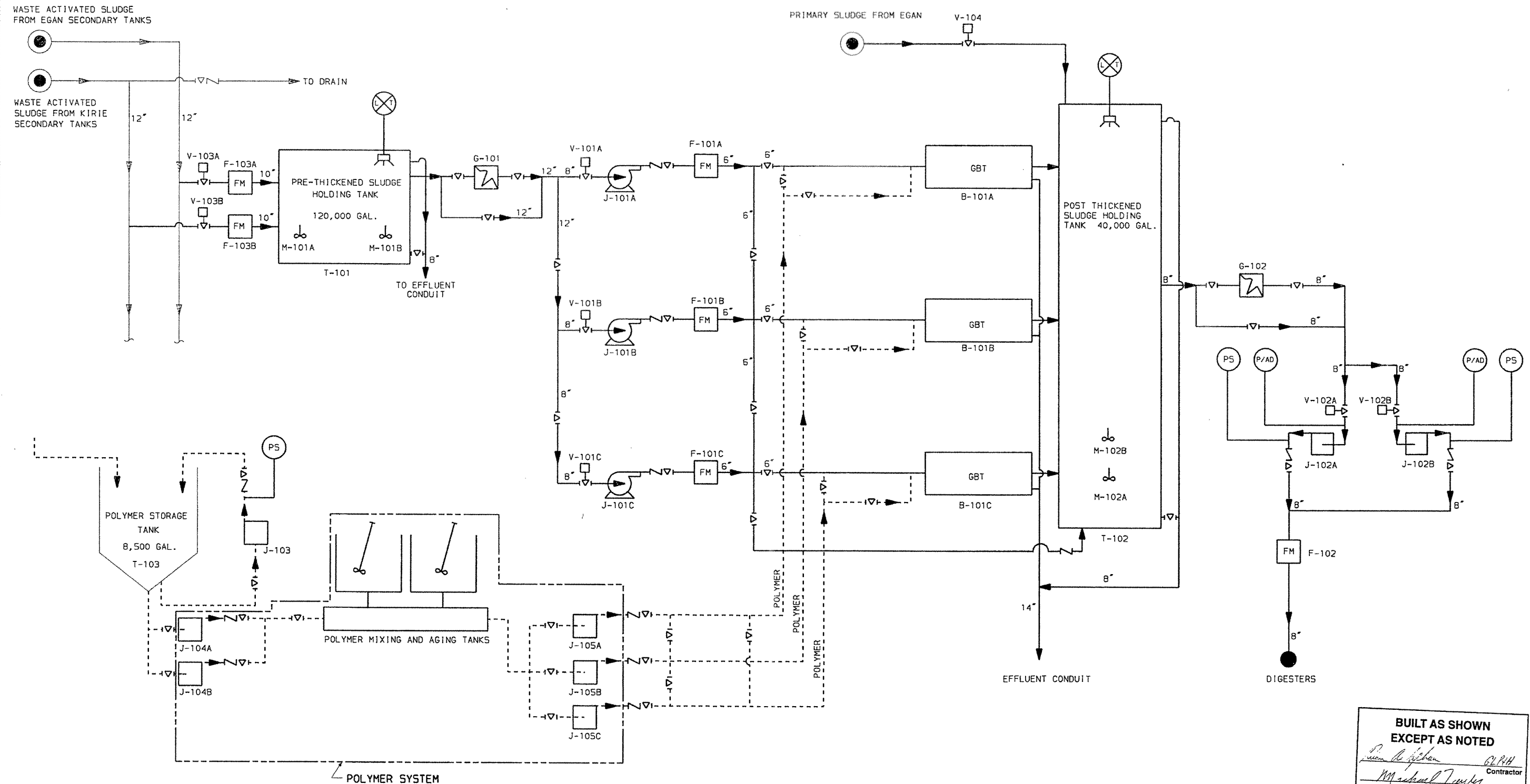
Approved: Robert Becklin
Assistant Chief Eng.

Approved: J.C. Neilsen
Chief Engineer

SCALES SHOWN ARE SCALES OF TRACINGS

DATE MARCH, 1975 SHEET NO. P-1

MF 11/15/74

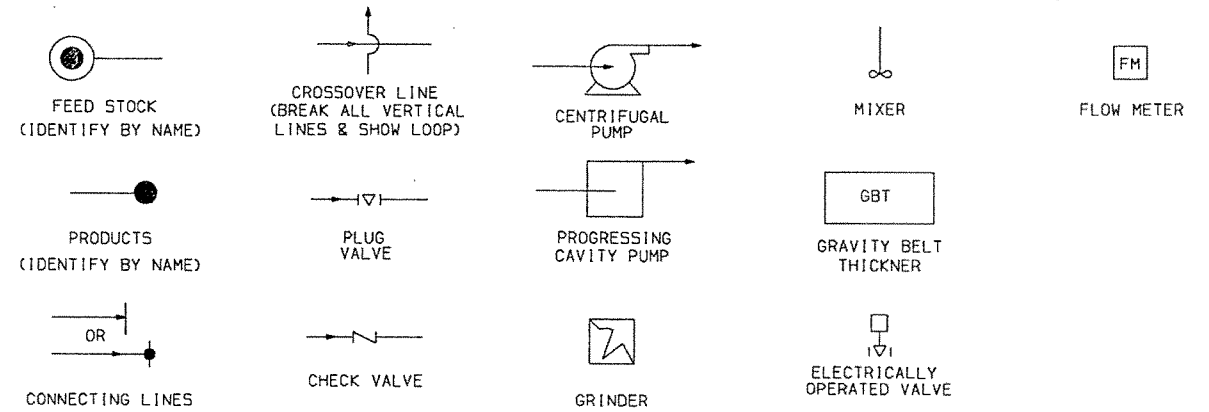


**BUILT AS SHOWN
EXCEPT AS NOTED**

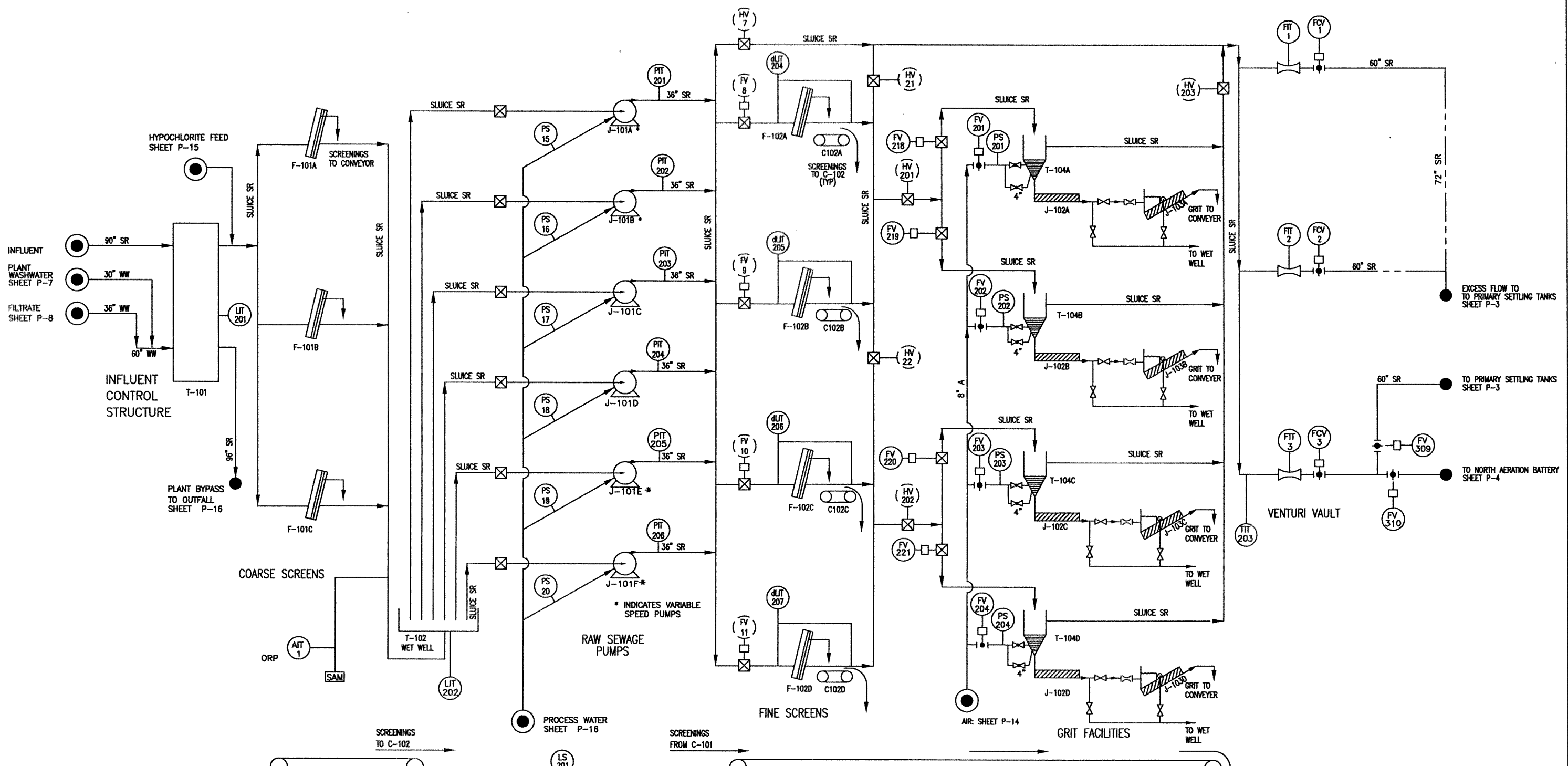
Robert L. McCarthy
Contractor

M.W.R.D. Resident Engineer

- B-101 GRAVITY BELT THICKENERS
- V-101 MOTORIZED VALVES
- J-101 GBT FEED PUMPS
- J-102 DIGESTER FEED PUMPS
- J-103 POLYMER RECYCLING PUMP
- J-104 POLYMER FEED PUMPS
- J-105 DILUTE SOLUTION POLYMER PUMPS
- G-101 GRINDERS
- T-101 PRE-GBT HOLDING TANK
- T-102 POST-GBT HOLDING TANK
- T-103 POLYMER HOLDING TANK
- M-10_ SUBMERSIBLE MIXERS
- F-10_ FLOW METERS
- (P/AD) PRESENCE/ABSENCE DETECTOR
- (PS) PRESSURE SWITCH
- (L/T) LEVEL MEASUREMENTS



REVISIONS			METROPOLITAN WATER RECLAMATION DISTRICT OF GREATER CHICAGO	
NO	DATE	BY		
			PROCESS FLOW DIAGRAM MECHANICAL DEWATERING AND OTHER IMPROVEMENTS JOHN E. EGAN WATER RECLAMATION PLANT CONTRACT 93-451-2P	
			Correct <i>Robert L. McCarthy</i> Engr. of Process Design Approved <i>Robert Badalini</i> Assistant Chief Engineer Approved <i>Leo R. DiVita, Jr.</i> Chief Engineer	
Designed JMD Drawn AJW-R Checked SES Reviewed MPS DATE: DEC. 1994 SHEET NO. P-2			SCALES SHOWN ARE SCALES OF TRACINGS	



EQUIPMENT IDENTIFICATION TABLE

- T-101 INFLUENT CONTROL STRUCTURE
- T-102 WET WELL
- T-104 A,B,C,D, AERATED GRIT CHAMBERS
- T-501 GRIT DUMPSTER
- T-502 GRIT DUMPSTER
- C-101 COARSE SCREENINGS CONVEYOR
- C-102 MAIN CONVEYOR
- C-102 A,B,C,D FINE SCREEN CONVEYORS
- F-101 A,B,C COARSE SCREENS
- F-102 A,B,C,D FINE SCREENS
- J-101 A,B,C,D,E,F RAW SEWAGE PUMPS
- J-102 A,B,C,D HORIZONTAL GRIT SCREW CONVEYORS
- J-103 A,B,C,D INCLINE GRIT SCREW CONVEYORS

LEGEND

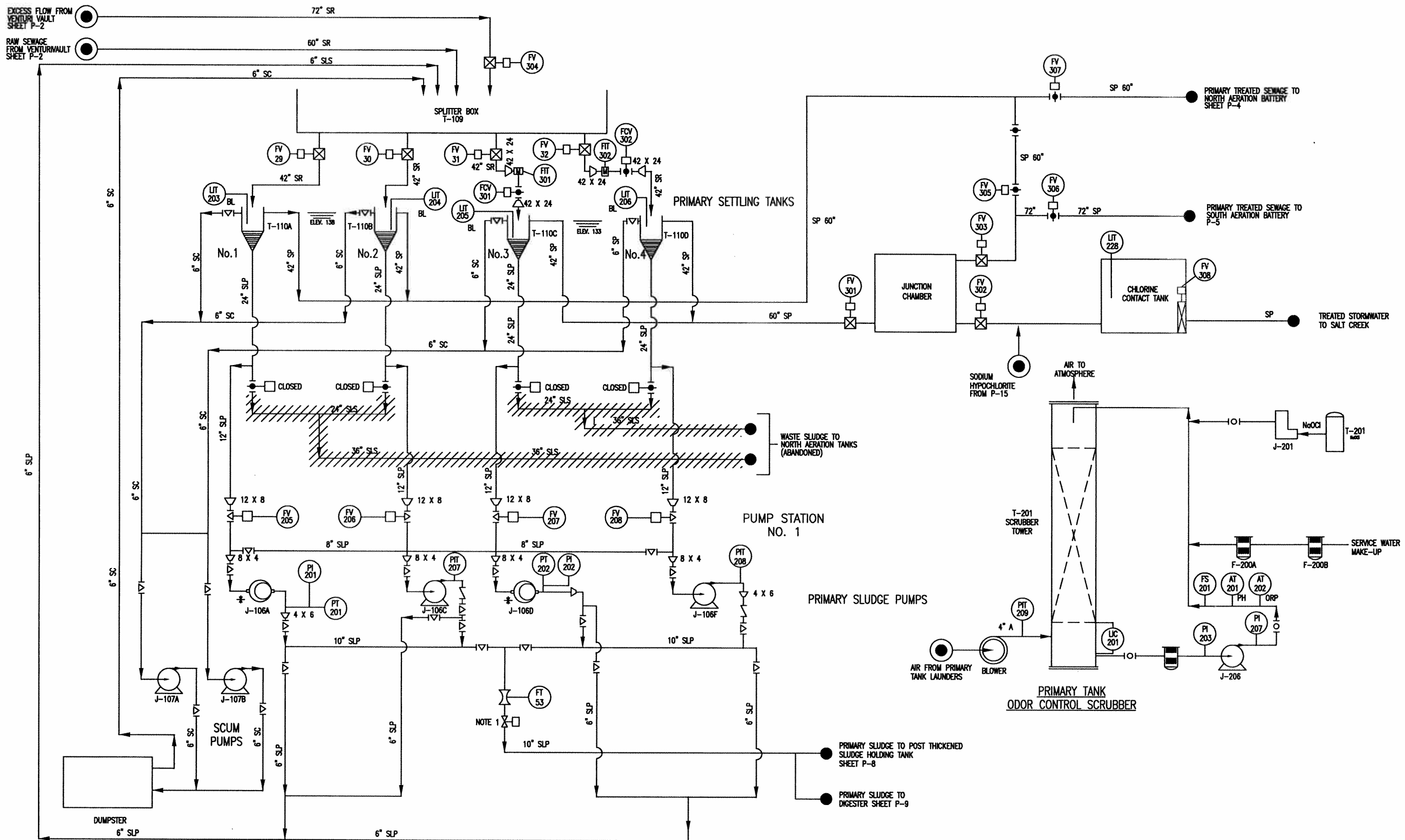
() ADD NEW LIMIT SWITCHES TO EXISTING ACTUATOR.

REVISIONS		
NO	DATE	BY

METROPOLITAN WATER RECLAMATION DISTRICT
OF GREATER CHICAGO
PROCESS FLOW DIAGRAM
PRETREATMENT BUILDING
REPLACEMENT OF PLANT PROCESS CONTROL SYSTEM
JOHN E. EGAN WATER RECLAMATION PLANT
CONTRACT 98-465-2P

Correct
 Engineer of Process Design
 Approved
 Assistant Chief Engineer
 Approved
 Chief Engineer

DESIGNED: AJP DRAWN: AB CHECKED: AJP REVIEWED: AJP DATE: MARCH 2001 SHEET NO. P-2



EQUIPMENT IDENTIFICATION TABLE

- T-110 A,B,C,D PRIMARY SETTLING TANKS
- T-109 PRIMARY TANK SPLITTER BOX
- T-200 CAUSTIC TANK
- T-201 HYPOCHLORITE TANK
- J-106 A,C,D,F PRIMARY SLUDGE PUMPS
- J-107 A,B SCUM PUMPS
- J-206 SCRUBBER CIRCULATION PUMP
- F-200 A,B MAKE UP WATER FILTERS
- J-201 HYPOCHLORITE METERING PUMP
- J-200 CAUSTIC METERING PUMP

NOTE

- 1. MAINTENANCE VALVE NOT CONNECTED TO DCS
- * VARIABLE SPEED PERISTALTIC PUMP

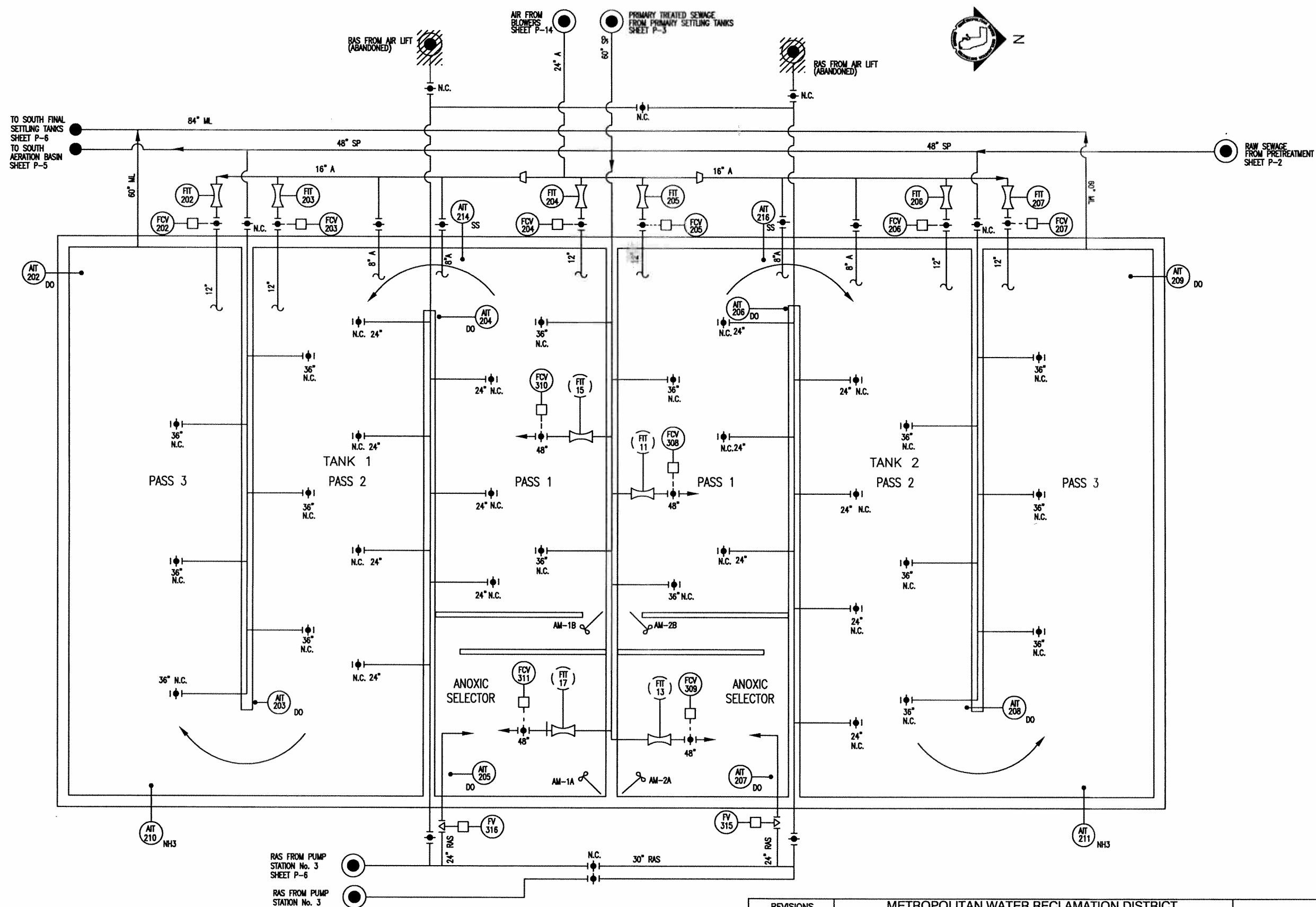
REVISIONS		
NO	DATE	BY

METROPOLITAN WATER RECLAMATION DISTRICT
OF GREATER CHICAGO
PROCESS FLOW DIAGRAM
PRIMARY TANKS
REPLACEMENT OF PLANT PROCESS CONTROL SYSTEM
JOHN E. EGAN WATER RECLAMATION PLANT
CONTRACT 98-465-2P

Correct _____
 Engineer of Process Design
 Approved _____
 Assistant Chief Engineer
 Approved _____
 Chief Engineer

DESIGNED: AJP DRAWN: AB CHECKED: AJP REVIEWED: AJP DATE: MARCH 2001

SHEET NO. P-3



EQUIPMENT IDENTIFICATION TABLE

- AM-1A AERATION MIXER
- AM-1B AERATION MIXER
- AM-2A AERATION MIXER
- AM-2B AERATION MIXER

LEGEND:

- (FIT) FURNISH AND INSTALL NEW WATER PURGE SYSTEM
- (XX) ON EXISTING VENTURI & TRANSMITTER.

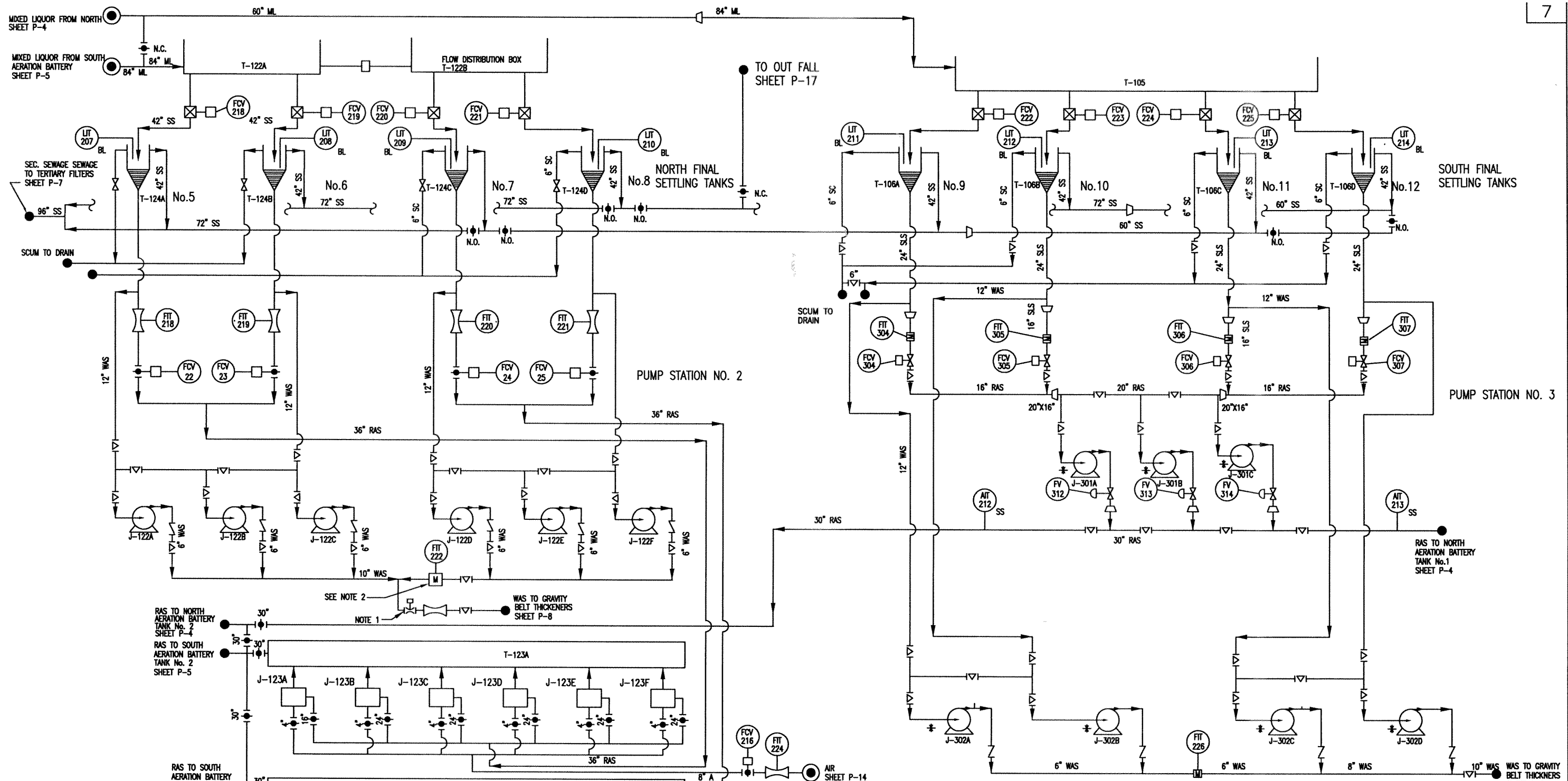
REVISIONS		
NO	DATE	BY

METROPOLITAN WATER RECLAMATION DISTRICT
OF GREATER CHICAGO
PROCESS FLOW DIAGRAM
NORTH AERATION BATTERY
REPLACEMENT OF PLANT PROCESS CONTROL SYSTEM
JOHN E. EGAN WATER RECLAMATION PLANT
CONTRACT 98-465-2P

Correct _____
 Engineer of Process Design
 Approved _____
 Assistant Chief Engineer
 Approved _____
 Chief Engineer

DESIGNED: AJP DRAWN: AB CHECKED: AJP REVIEWED: AJP DATE: MARCH 2001

SHEET NO. P-4

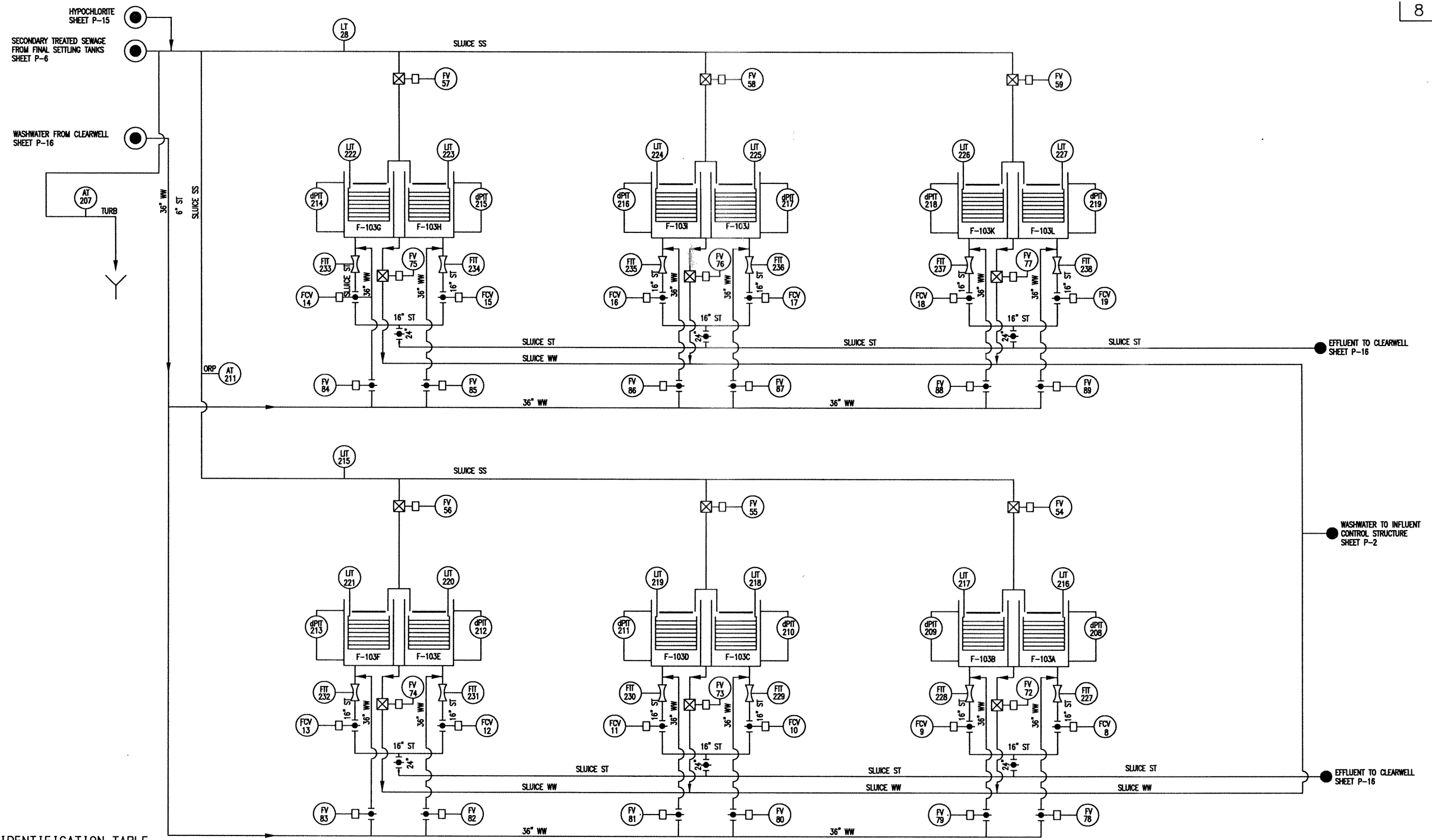


EQUIPMENT IDENTIFICATION TABLE

T-105	FLOW DISTRIBUTION BOX
T-106	A FINAL TANK No.9
	B FINAL TANK No.10
	C FINAL TANK No.11
	D FINAL TANK No.12
T-122	A FLOW DISTRIBUTION BOX
	B FLOW DISTRIBUTION BOX
T-124	A FINAL TANK No. 5
	B FINAL TANK No.6
	C FINAL TANK No.7
	D FINAL TANK No.8
J-122	A WAS PUMP
	B WAS PUMP
	C WAS PUMP
	D WAS PUMP
J-123	A RAS AIRLIFT PUMP
	B RAS AIRLIFT PUMP
	C RAS AIRLIFT PUMP
	D RAS AIRLIFT PUMP
	E RAS AIRLIFT PUMP
	F RAS AIRLIFT PUMP
	G RAS AIRLIFT PUMP
	H RAS AIRLIFT PUMP
	I RAS AIRLIFT PUMP
J	RAS AIRLIFT PUMP
K	RAS AIRLIFT PUMP
L	RAS AIRLIFT PUMP
J-301	A RAS PUMP
	B RAS PUMP
	C RAS PUMP
J-302	A WAS PUMP
	B WAS PUMP
	C WAS PUMP
	D WAS PUMP

NOTES:
 1. EXISTING ELECTRICALLY ACTUATED PINCH VALVE WILL BE OPERATED LOCALLY FOR MAINTENANCE, BUT WILL NOT BE CONNECTED TO DCS.
 2. REMOVE EXISTING VENTURI. INSTALL 8" MAGNETIC FLOWMETER AND PIPE REDUCERS IN THE 10" WAS LINE. MODIFY 10" LINE AS NECESSARY. REFER ALSO TO DRAWING M-2, DETAIL 3.
 * VARIABLE SPEED PUMP

REVISIONS			METROPOLITAN WATER RECLAMATION DISTRICT OF GREATER CHICAGO				Correct _____ Engineer of Process Design
NO	DATE	BY	PROCESS FLOW DIAGRAM FINAL SETTLING TANKS				
			REPLACEMENT OF PLANT PROCESS CONTROL SYSTEM				Approved _____ Assistant Chief Engineer
			JOHN E. EGAN WATER RECLAMATION PLANT				Approved _____ Chief Engineer
			CONTRACT 98-465-2P				
DESIGNED: AJP	DRAWN: AB	CHECKED: AJP	REVIEWED: AJP	DATE: MARCH 2001	SHEET NO. P-6		



EQUIPMENT IDENTIFICATION TABLE

- F-103 A TERTIARY FILTER CELL
- B TERTIARY FILTER CELL
- C TERTIARY FILTER CELL
- D TERTIARY FILTER CELL
- E TERTIARY FILTER CELL
- F TERTIARY FILTER CELL
- G TERTIARY FILTER CELL
- H TERTIARY FILTER CELL
- I TERTIARY FILTER CELL
- J TERTIARY FILTER CELL
- K TERTIARY FILTER CELL
- L TERTIARY FILTER CELL

REVISIONS		
NO	DATE	BY

METROPOLITAN WATER RECLAMATION DISTRICT
 OF GREATER CHICAGO
 PROCESS FLOW DIAGRAM
 TERTIARY FILTERS
 REPLACEMENT OF PLANT PROCESS CONTROL SYSTEM
 JOHN E. EGAN WATER RECLAMATION PLANT
 CONTRACT 98-465-2P

Correct

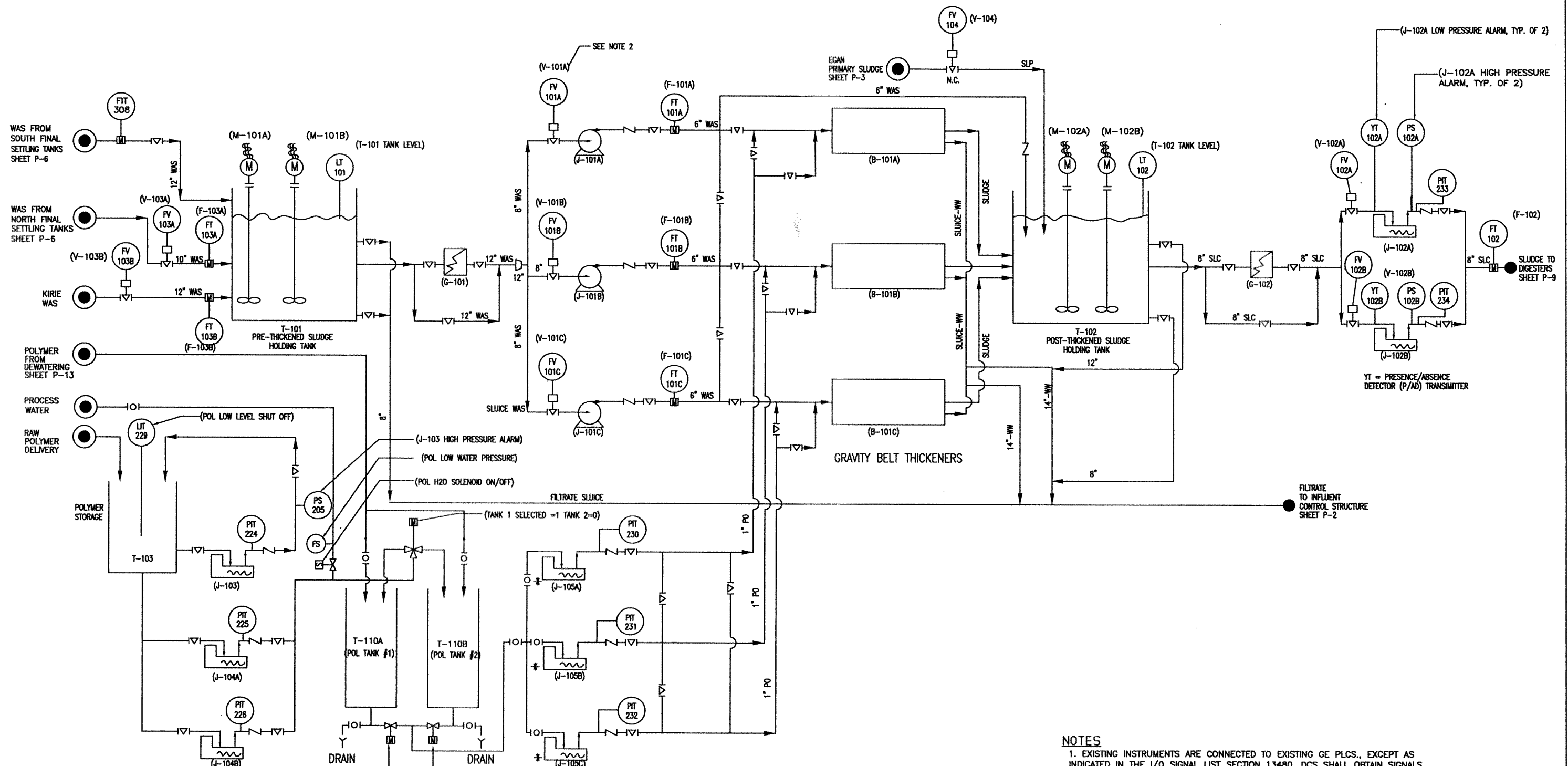
 Engineer of Process Design

Approved

 Assistant Chief Engineer

Approved

 Chief Engineer



EQUIPMENT IDENTIFICATION TABLE

- B-101 A GRAVITY BELT THICKENER
 - B GRAVITY BELT THICKENER
 - C GRAVITY BELT THICKENER
 - T-101 PRE-THICKENED SLUDGE HOLDING TANK
 - T-102 POST-THICKENED SLUDGE HOLDING TANK
 - T-103 POLYMER STORAGE TANK
 - T-110A POLYMER MIX TANK
 - T-110B POLYMER MIX TANK
 - G-101 SLUDGE GRINDER
 - G-102 SLUDGE GRINDER
 - J-101 A GBT SLUDGE FEED PUMP
 - B GBT SLUDGE FEED PUMP
 - C GBT SLUDGE FEED PUMP
 - J-102 A THICKENED SLUDGE TRANSFER PUMP
 - B THICKENED SLUDGE TRANSFER PUMP
 - J-103 POLYMER RECIRCULATION PUMP
 - J-104 A POLYMER TRANSFER PUMP
 - B POLYMER TRANSFER PUMP
 - J-105 A POLYMER FEED PUMP
 - B POLYMER FEED PUMP
 - C POLYMER FEED PUMP
 - M-101 A SLUDGE MIXER
 - M-101 B SLUDGE MIXER
 - M-102 A SLUDGE MIXER
 - M-102 B SLUDGE MIXER
- ⚡ VARIABLE SPEED PUMP

NOTES

1. EXISTING INSTRUMENTS ARE CONNECTED TO EXISTING GE PLCS., EXCEPT AS INDICATED IN THE I/O SIGNAL LIST SECTION 13480. DCS SHALL OBTAIN SIGNALS FROM EXISTING GE PLCS.
2. THE TAG NAMES IN PARENTHESIS REFER TO THE TAG NAMES USED IN GE PLC I/O TABLES (SPECIFICATION SECTION 13480).

REVISIONS			METROPOLITAN WATER RECLAMATION DISTRICT OF GREATER CHICAGO	
NO	DATE	BY		
			PROCESS FLOW DIAGRAM GRAVITY BELT THICKENERS REPLACEMENT OF PLANT PROCESS CONTROL SYSTEM JOHN E. EGAN WATER RECLAMATION PLANT CONTRACT 98-465-2P	
DESIGNED: AJP			DRAWN: AB	CHECKED: AJP
REVIEWED: AJP			DATE: MARCH 2001	SHEET NO. P-8

Correct

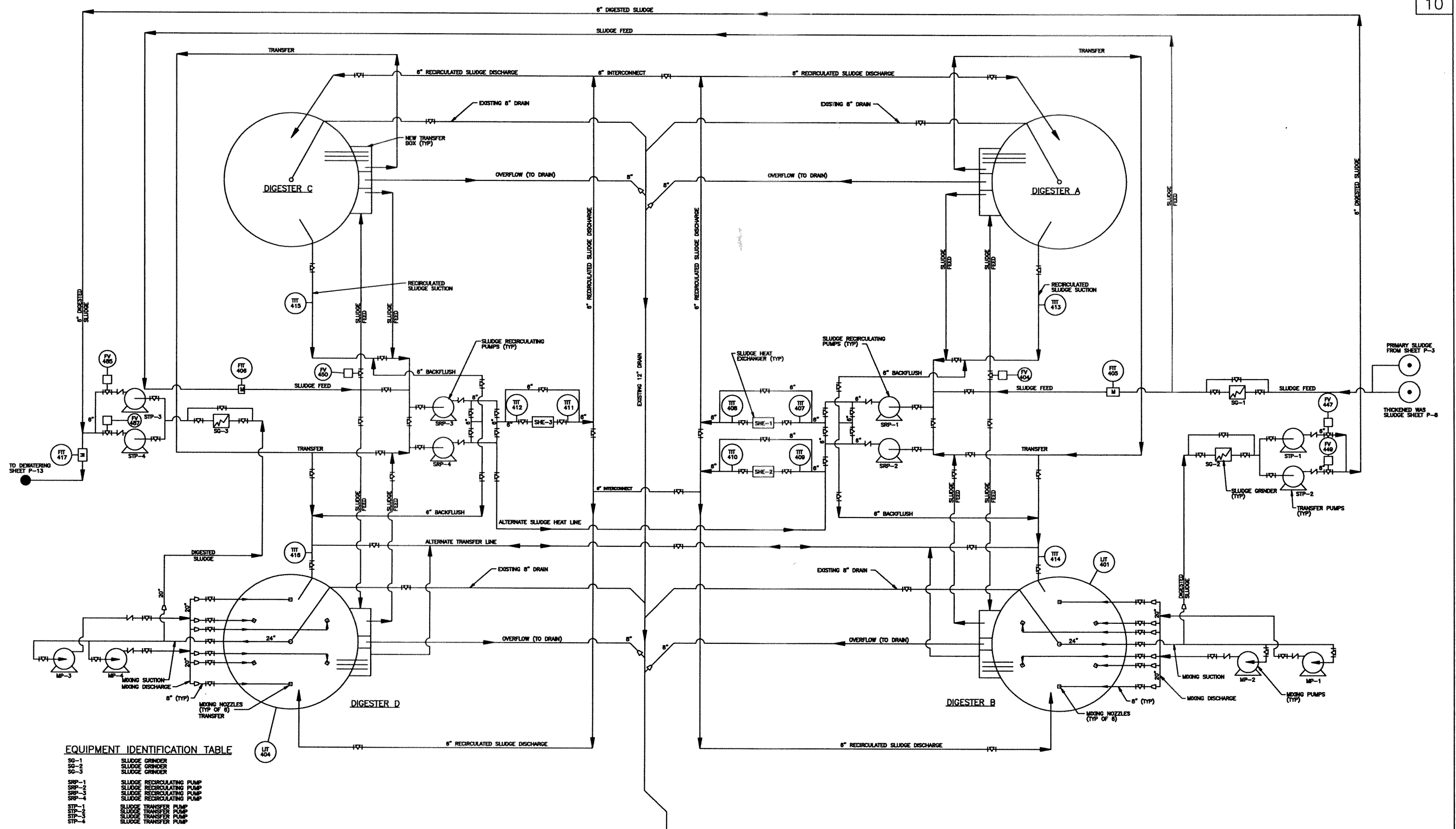
 Engineer of Process Design

Approved

 Assistant Chief Engineer

Approved

 Chief Engineer

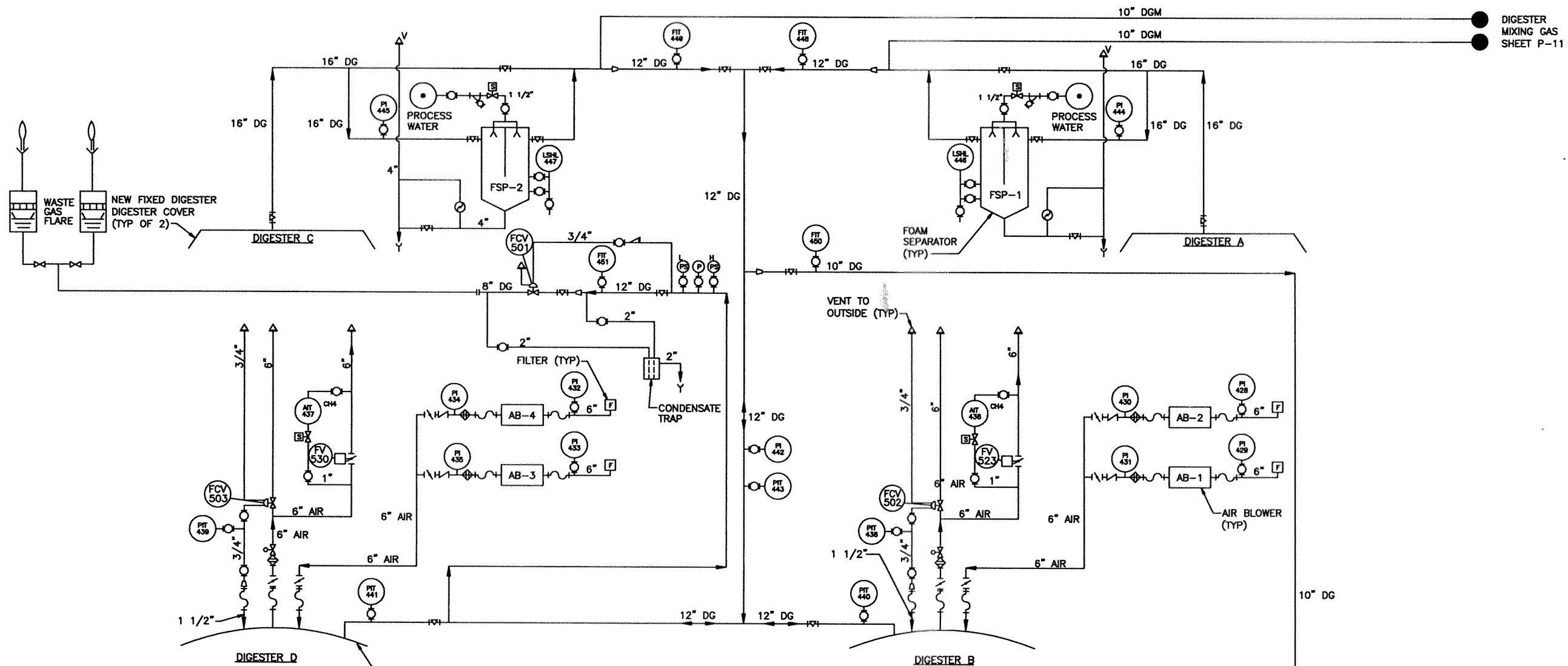


EQUIPMENT IDENTIFICATION TABLE

- SG-1 SLUDGE GRINDER
- SG-2 SLUDGE GRINDER
- SG-3 SLUDGE GRINDER
- SRP-1 SLUDGE RECIRCULATING PUMP
- SRP-2 SLUDGE RECIRCULATING PUMP
- SRP-3 SLUDGE RECIRCULATING PUMP
- SRP-4 SLUDGE RECIRCULATING PUMP
- STP-1 SLUDGE TRANSFER PUMP
- STP-2 SLUDGE TRANSFER PUMP
- STP-3 SLUDGE TRANSFER PUMP
- STP-4 SLUDGE TRANSFER PUMP
- MP-1 SLUDGE MIXING PUMP
- MP-2 SLUDGE MIXING PUMP
- MP-3 SLUDGE MIXING PUMP

NOTE:
 1. THIS DRAWING REFLECTS P & ID INFORMATION PREPARED FOR THE DIGESTER FACILITY IMPROVEMENTS PROJECT (CONTRACT 94-453-2P).

REVISIONS			METROPOLITAN WATER RECLAMATION DISTRICT OF GREATER CHICAGO PROCESS FLOW DIAGRAM DIGESTER SOLIDS REPLACEMENT OF PLANT PROCESS CONTROL SYSTEM JOHN E. EGAN WATER RECLAMATION PLANT CONTRACT 98-465-2P		Correct _____ Engineer of Process Design	
NO	DATE	BY			Approved _____ Assistant Chief Engineer	
			DESIGNED: AJP DRAWN: AB CHECKED: AJP REVIEWED: AJP DATE: MARCH 2001		Approved _____ Chief Engineer	
			SHEET NO. P-9			



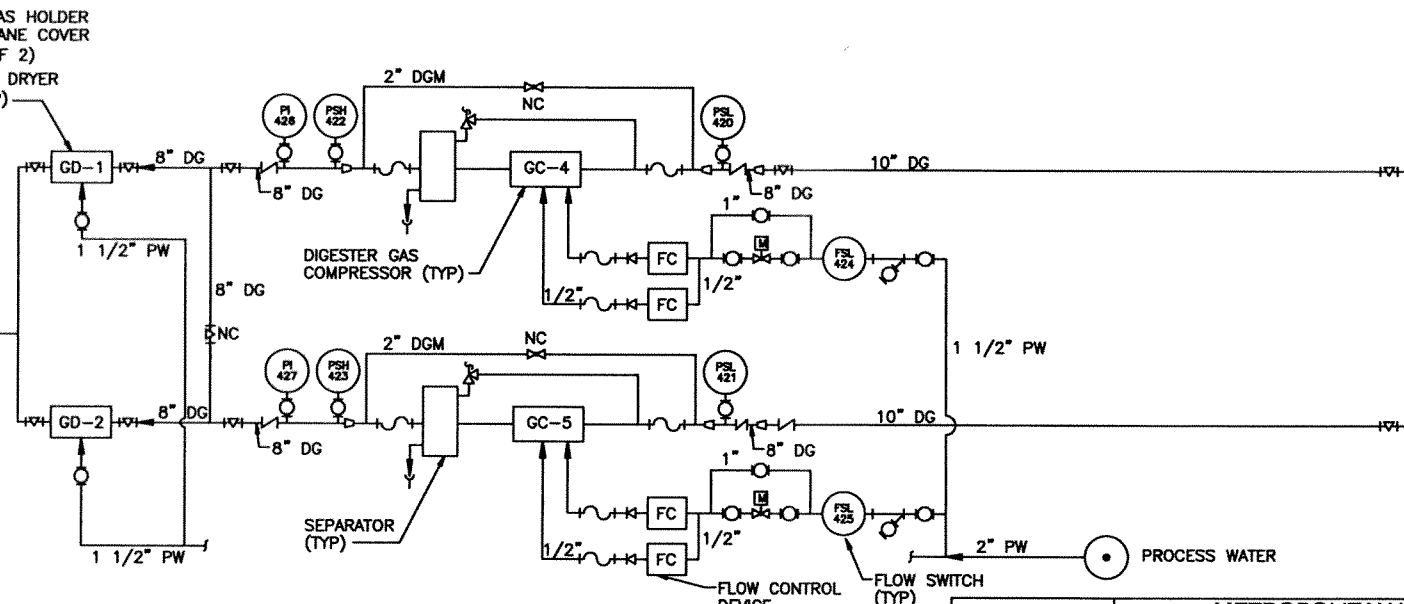
DIGESTER MIXING GAS SHEET P-11

DIGESTER GAS TO BOILERS SHEET P-14

EQUIPMENT IDENTIFICATION TABLE

FSP-1	FOAM SEPARATOR
FSP-2	FOAM SEPARATOR
AB-1	AIR BLOWER
AB-2	AIR BLOWER
AB-3	AIR BLOWER
AB-4	AIR BLOWER
GC-4	DIGESTER GAS COMPRESSOR
GC-5	DIGESTER GAS COMPRESSOR
GD-1	GAS DRYER
GD-2	GAS DRYER

NOTE:
1. THIS DRAWING REFLECTS P & ID INFORMATION PREPARED FOR THE DIGESTER FACILITY IMPROVEMENTS PROJECT (CONTRACT 94-453-29).



REVISIONS		
NO	DATE	BY

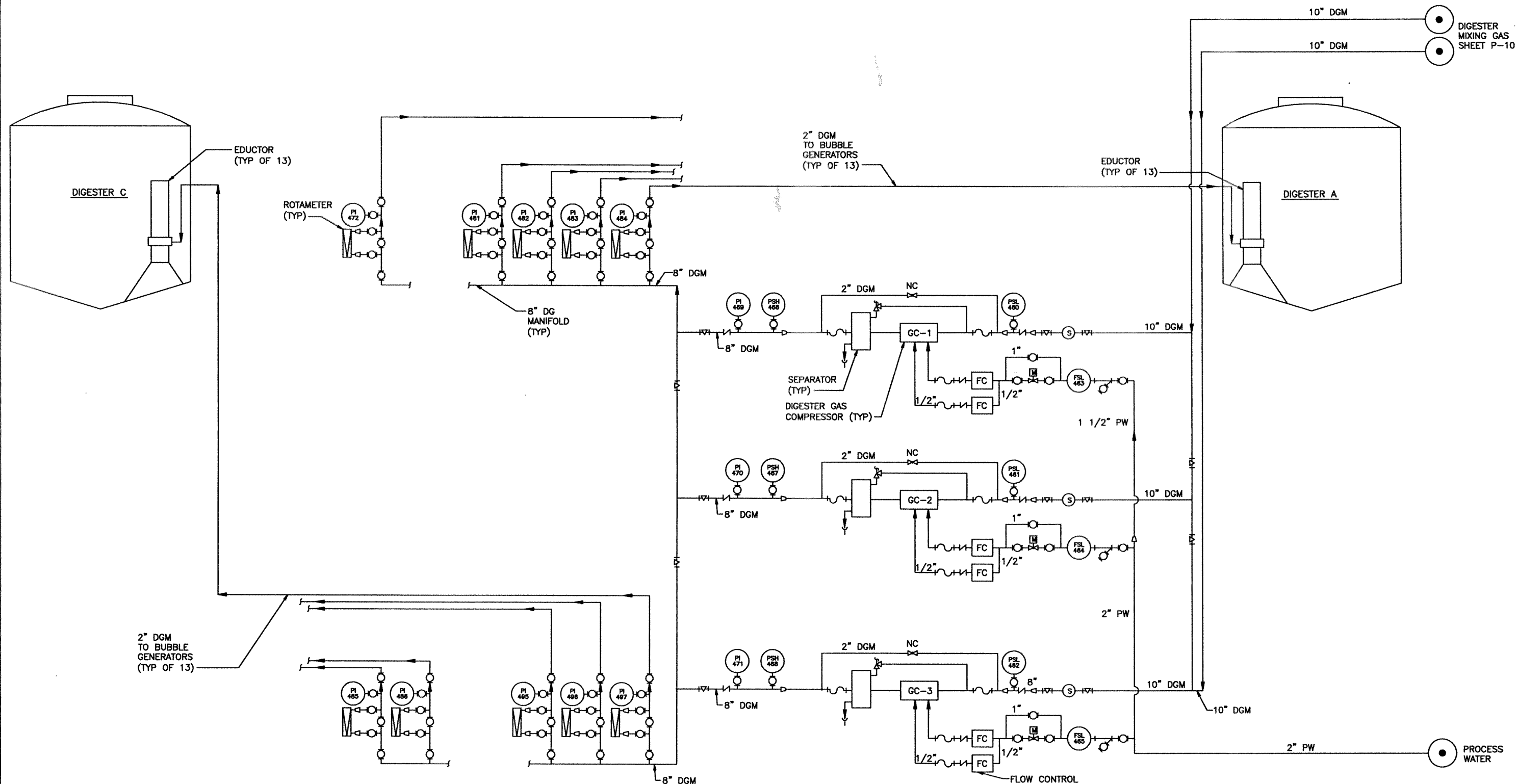
METROPOLITAN WATER RECLAMATION DISTRICT
OF GREATER CHICAGO
PROCESS FLOW DIAGRAM
DIGESTER GAS
REPLACEMENT OF PLANT PROCESS CONTROL SYSTEM
JOHN E. EGAN WATER RECLAMATION PLANT
CONTRACT 98-465-2P

Correct
Engineer of Process Design

Approved
Assistant Chief Engineer

Approved
Chief Engineer

DESIGNED: AJP DRAWN: AB CHECKED: AJP REVIEWED: AJP DATE: MARCH 2001 SHEET NO. P-10

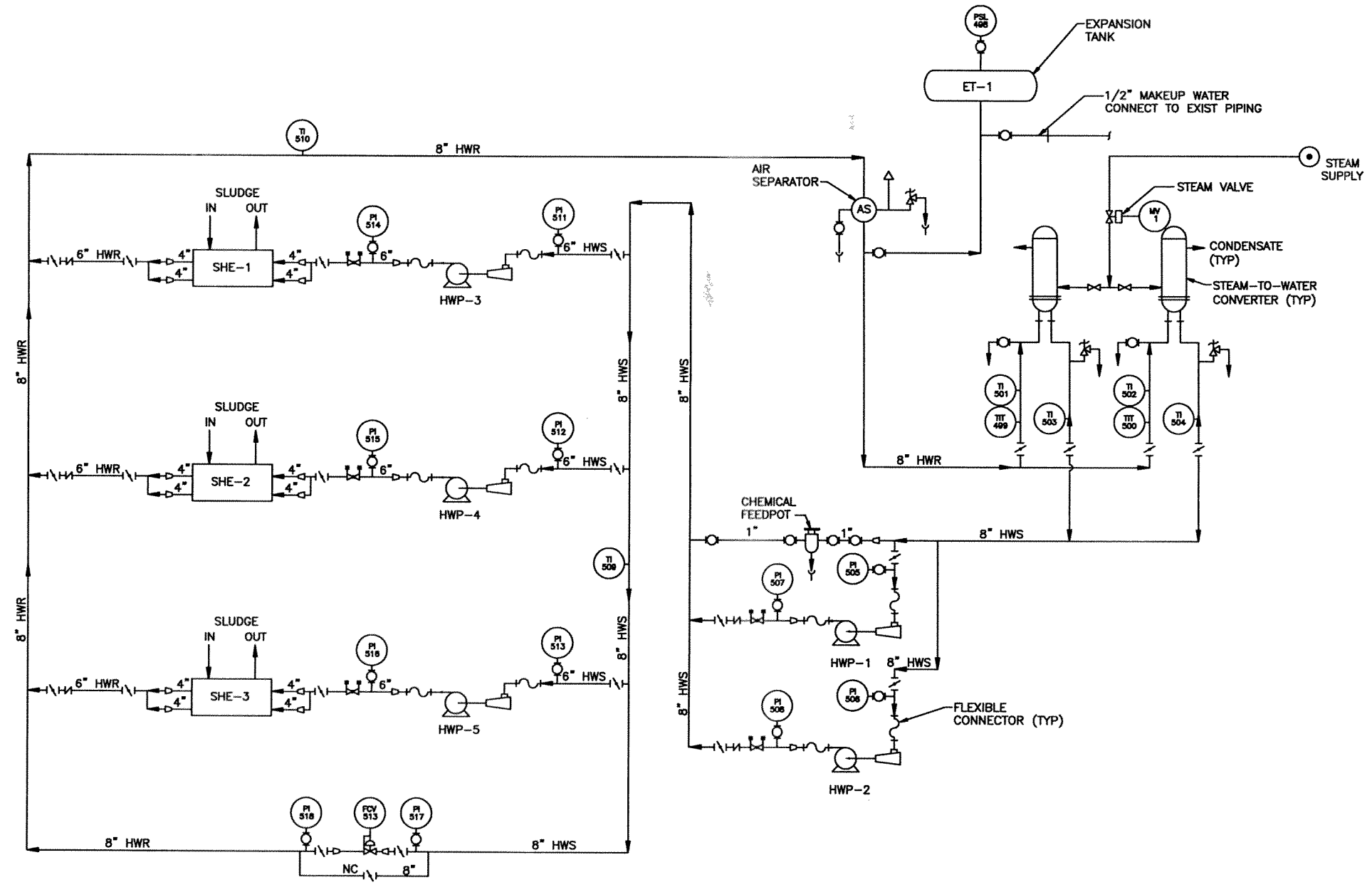


EQUIPMENT IDENTIFICATION TABLE

GC-1	DIGESTER GAS COMPRESSOR
GC-2	DIGESTER GAS COMPRESSOR
GC-3	DIGESTER GAS COMPRESSOR

NOTE:
 1. THIS DRAWING REFLECTS P & ID INFORMATION PREPARED FOR THE DIGESTER FACILITY IMPROVEMENTS PROJECT (CONTRACT 94-453-2P).

REVISIONS			METROPOLITAN WATER RECLAMATION DISTRICT OF GREATER CHICAGO				Correct	
NO	DATE	BY	PROCESS FLOW DIAGRAM				Engineer of Process Design	
			DIGESTER GAS MIXING				Approved	
			REPLACEMENT OF PLANT PROCESS CONTROL SYSTEM				Assistant Chief Engineer	
			JOHN E. EGAN WATER RECLAMATION PLANT				Approved	
			CONTRACT 98-465-2P				Chief Engineer	
			DESIGNED: AJP	DRAWN: AB	CHECKED: AJP	REVIEWED: AJP	DATE: MARCH 2001	SHEET NO. P-11



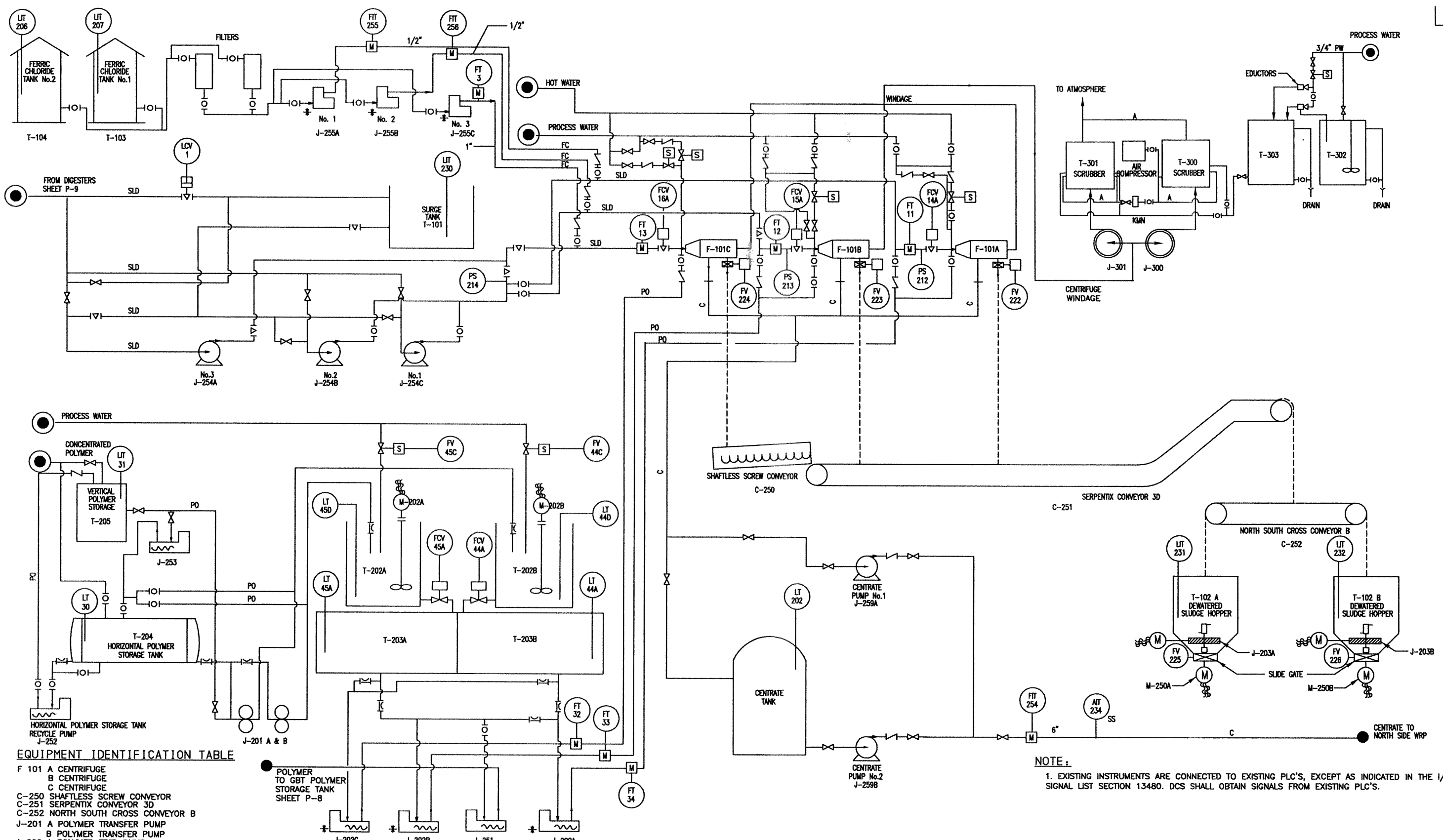
EQUIPMENT IDENTIFICATION TABLE

HWP-1	HEATING WATER PUMP
HWP-2	HEATING WATER PUMP
HWP-3	HEATING WATER PUMP
HWP-4	HEATING WATER PUMP
HWP-5	HEATING WATER PUMP
SHE-1	SLUDGE HEAT EXCHANGER
SHE-2	SLUDGE HEAT EXCHANGER
SHE-3	SLUDGE HEAT EXCHANGER

NOTE:

1. THIS DRAWING REFLECTS P & ID INFORMATION PREPARED FOR THE DIGESTER FACILITY IMPROVEMENTS PROJECT (CONTRACT 94-453-2P).

REVISIONS			METROPOLITAN WATER RECLAMATION DISTRICT OF GREATER CHICAGO		Correct Engineer of Process Design
NO	DATE	BY	PROCESS FLOW DIAGRAM DIGESTER HEATING WATER REPLACEMENT OF PLANT PROCESS CONTROL SYSTEM JOHN E. EGAN WATER RECLAMATION PLANT CONTRACT 98-465-2P		
					Approved Assistant Chief Engineer
					Approved Chief Engineer
DESIGNED: AJP			DRAWN: AB	CHECKED: AJP	REVIEWED: AJP
DATE: MARCH 2001			SHEET NO. P-12		



EQUIPMENT IDENTIFICATION TABLE

- F 101 A CENTRIFUGE
- B CENTRIFUGE
- C CENTRIFUGE
- C-250 SHAFTLESS SCREW CONVEYOR
- C-251 SERPENTIX CONVEYOR 3D
- C-252 NORTH SOUTH CROSS CONVEYOR B
- J-201 A POLYMER TRANSFER PUMP
- B POLYMER TRANSFER PUMP
- J-202 A POLYMER FEED PUMP
- B POLYMER FEED PUMP
- C POLYMER FEED PUMP
- J-203A NORTH UNLOADING SCREW CONVEYOR
- J-203B SOUTH UNLOADING SCREW CONVEYOR
- J-251 GBT POLYMER TRANSFER PUMP
- J-252 HORIZONTAL POLYMER STORAGE TANK RECYCLE PUMP
- J-253 VERTICAL POLYMER STORAGE TANK TRANSFER PUMP
- J-254 A SLUDGE TRANSFER PUMP No. 3
- J-259 A CENTRATE PUMP
- J-259 B CENTRATE PUMP
- J-254 B SLUDGE TRANSFER PUMP No. 2
- J-254 C SLUDGE TRANSFER PUMP No. 1
- J-255 A FERRIC CHLORIDE PUMP No. 1
- J-255 B FERRIC CHLORIDE PUMP No. 2
- J-255 C FERRIC CHLORIDE PUMP No. 3
- J-300 SCRUBBER BLOWER
- J-301 SCRUBBER BLOWER
- T-101 SURGE TANK
- M-250A SLUDGE AGITATOR
- M-250B SLUDGE AGITATOR
- T-102 A DEWATERED SLUDGE HOPPER
- B DEWATERED SLUDGE HOPPER
- T-103 FERRIC CHLORIDE TANK No. 1
- T-104 FERRIC CHLORIDE TANK No. 2
- T-202 A POLYMER MIX TANK
- B POLYMER MIX TANK
- T-203 A POLYMER FEED TANK
- B POLYMER FEED TANK
- T-204 HORIZONTAL POLYMER STORAGE TANK
- T-300 WINDAGE SCRUBBER
- T-301 WINDAGE SCRUBBER
- T-302 POTASSIUM PERMANGANATE FEEDER AND MIXING TANK
- T-303 DILUTION TANK

* VARIABLE SPEED PUMP

NOTE:
1. EXISTING INSTRUMENTS ARE CONNECTED TO EXISTING PLC'S, EXCEPT AS INDICATED IN THE I/O SIGNAL LIST SECTION 13480. DCS SHALL OBTAIN SIGNALS FROM EXISTING PLC'S.

REVISIONS		
NO	DATE	BY

**METROPOLITAN WATER RECLAMATION DISTRICT
OF GREATER CHICAGO**

**PROCESS FLOW DIAGRAM
DEWATERING**

**REPLACEMENT OF PLANT PROCESS CONTROL SYSTEM
JOHN E. EGAN WATER RECLAMATION PLANT
CONTRACT 98-465-2P**

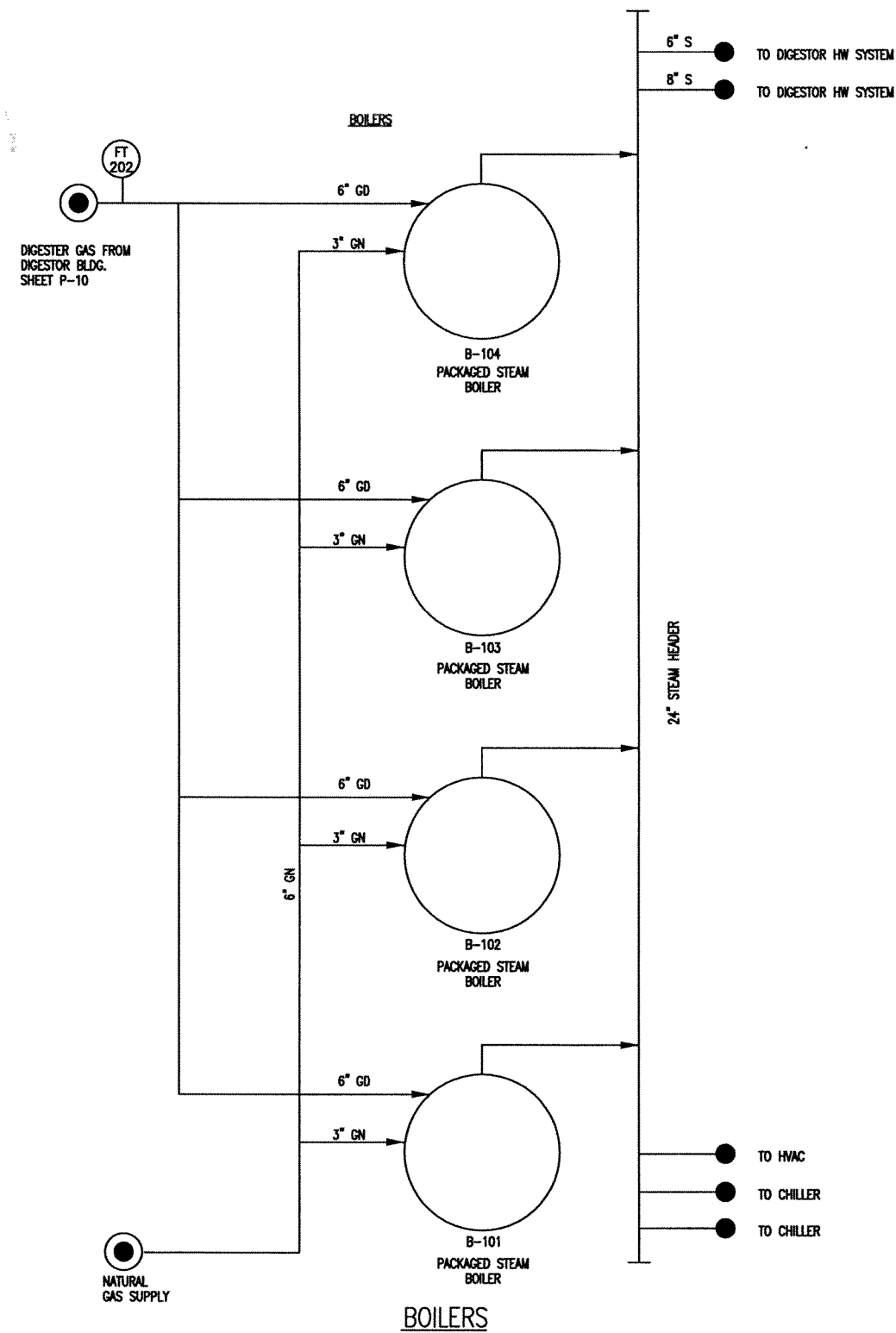
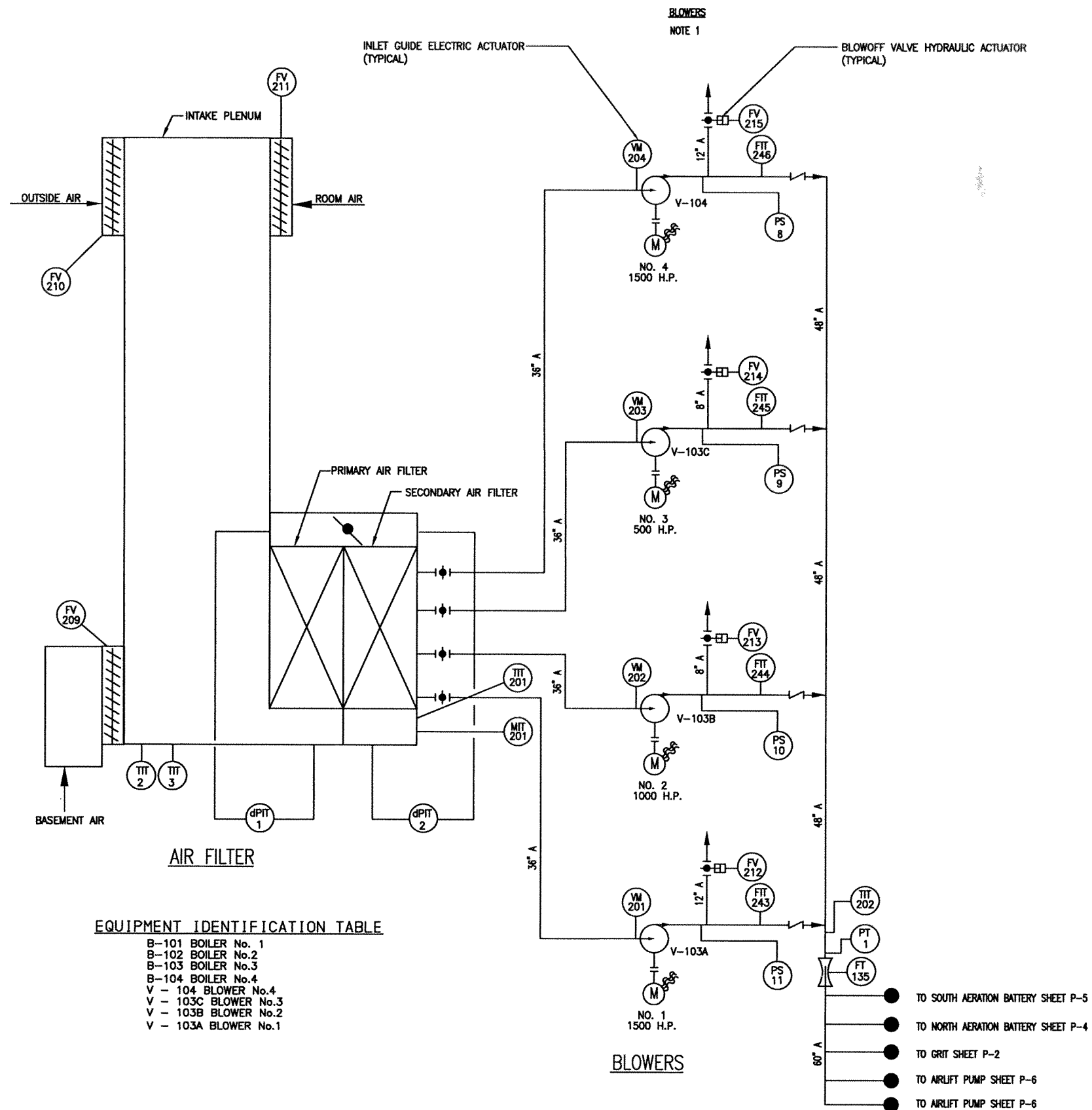
DESIGNED: AJP DRAWN: AB CHECKED: AJP REVIEWED: AJP DATE: MARCH 2001

Correct _____
Engineer of Process Design

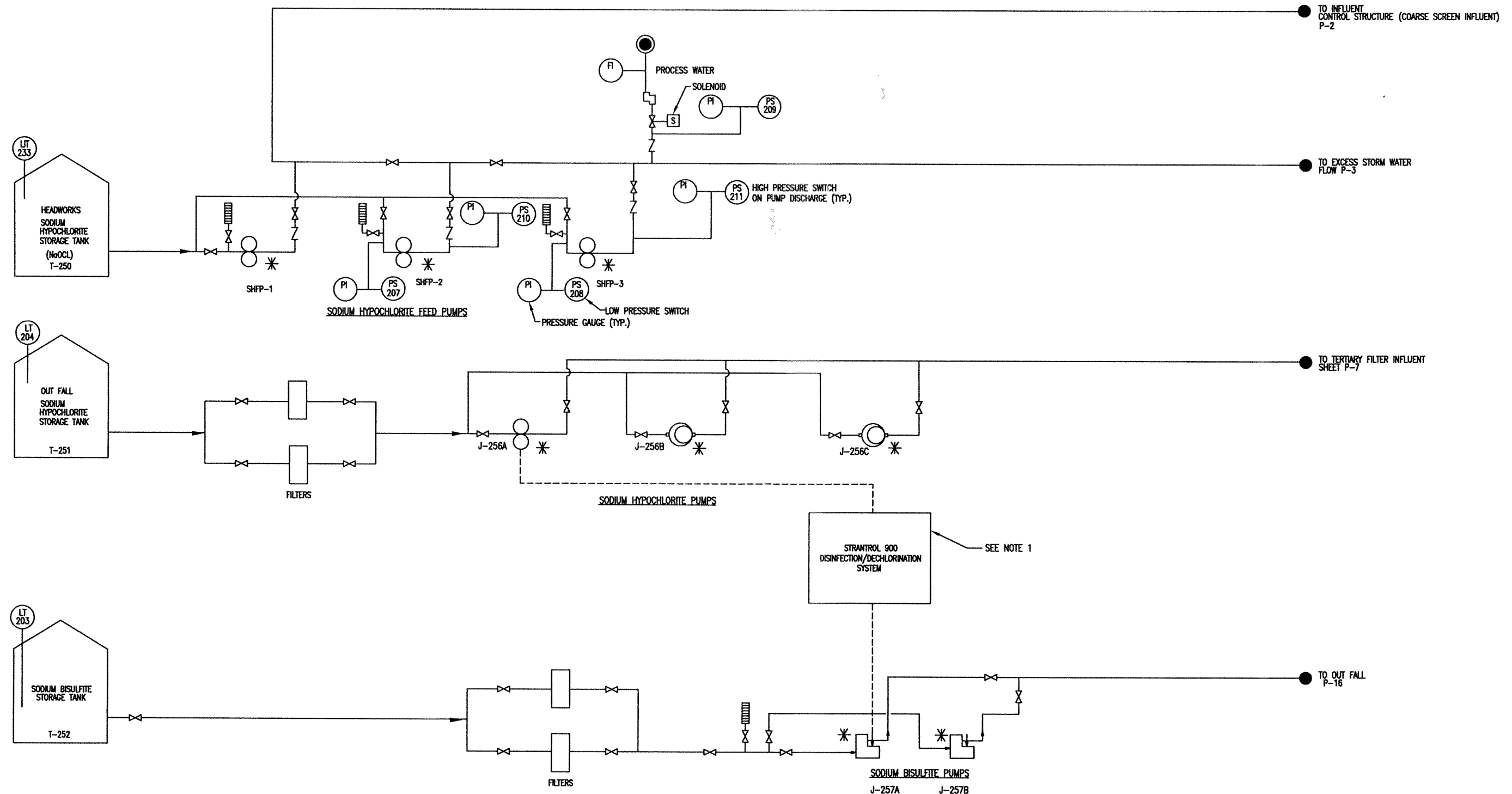
Approved _____
Assistant Chief Engineer

Approved _____
Chief Engineer

SHEET NO. P-13



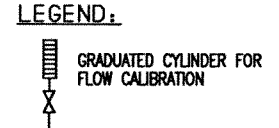
REVISIONS			METROPOLITAN WATER RECLAMATION DISTRICT OF GREATER CHICAGO		Correct _____ Engineer of Process Design
NO	DATE	BY	PROCESS FLOW DIAGRAM		
			BLOWERS & BOILERS		Approved _____ Assistant Chief Engineer
			REPLACEMENT OF PLANT PROCESS CONTROL SYSTEM		Approved _____ Chief Engineer
			JOHN E. EGAN WATER RECLAMATION PLANT		
			CONTRACT 98-465-2P		
DESIGNED: NAA	DRAWN: AB	CHECKED: NAA	REVIEWED: NAA	DATE: MARCH 2001	SHEET NO. P-14



EQUIPMENT IDENTIFICATION TABLE

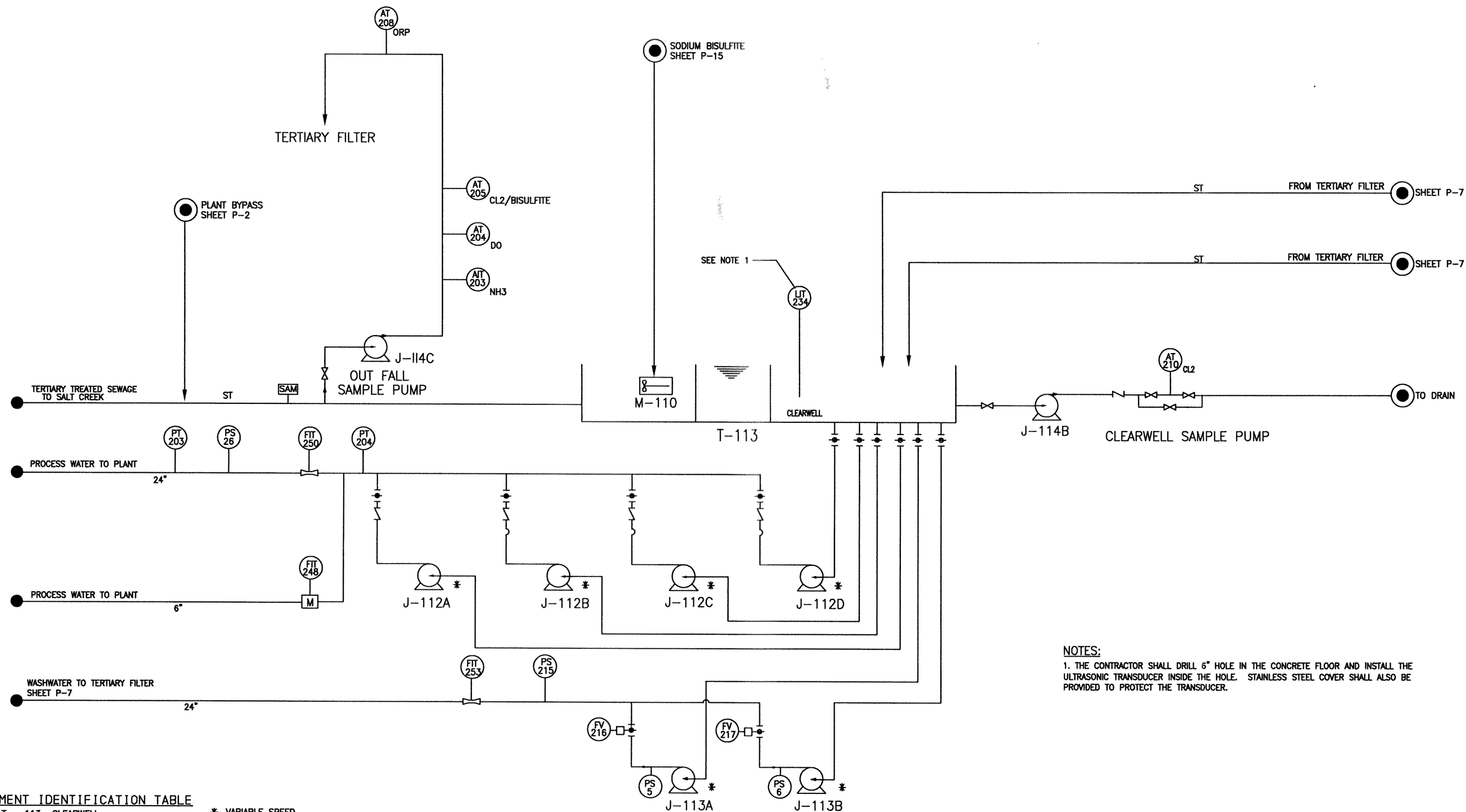
- SHFP-1 SODIUM HYPOCHLORITE FEED PUMP
- SHFP-2 SODIUM HYPOCHLORITE FEED PUMP
- SHFP-3 SODIUM HYPOCHLORITE FEED PUMP
- J- 256A OUTFALL SODIUM HYPOCHLORITE PUMP
- J- 256B OUTFALL SODIUM HYPOCHLORITE PUMP
- J- 256C OUTFALL SODIUM HYPOCHLORITE PUMP
- J- 257A SODIUM BISULFITE PUMP
- J- 257B SODIUM BISULFITE PUMP
- T-250 HEAD WORKS SODIUM HYPOCHLORITE STORAGE TANK
- T-251 OUT FALL SODIUM HYPOCHLORITE STORAGE TANK
- T-252 SODIUM BISULFITE STORAGE TANK

* VARIABLE SPEED PUMPS



NOTES:
 1. DCS SHALL OBTAIN SIGNALS FROM STRANTROL 900 SYSTEM IN ADDITION TO INSTRUMENTS ON THIS DRAWING. TWO PROBES ARE CONNECTED TO STRANTROL 900: AIT-211 (DWG. P-7) AND AIT-208 (DWG. P-16).

REVISIONS			METROPOLITAN WATER RECLAMATION DISTRICT OF GREATER CHICAGO				Correct Engineer of Process Design	
NO	DATE	BY	PROCESS FLOW DIAGRAM CHLORINATION / DECHLORINATION REPLACEMENT OF PLANT PROCESS CONTROL SYSTEM JOHN E. EGAN WATER RECLAMATION PLANT CONTRACT 98-465-2P				Approved Assistant Chief Engineer	
			DESIGNED: AJP DRAWN: AB CHECKED: AJP REVIEWED: AJP DATE: MARCH 2001				Approved Chief Engineer	
			SHEET NO. P-15					



NOTES:
 1. THE CONTRACTOR SHALL DRILL 6" HOLE IN THE CONCRETE FLOOR AND INSTALL THE ULTRASONIC TRANSDUCER INSIDE THE HOLE. STAINLESS STEEL COVER SHALL ALSO BE PROVIDED TO PROTECT THE TRANSDUCER.

EQUIPMENT IDENTIFICATION TABLE

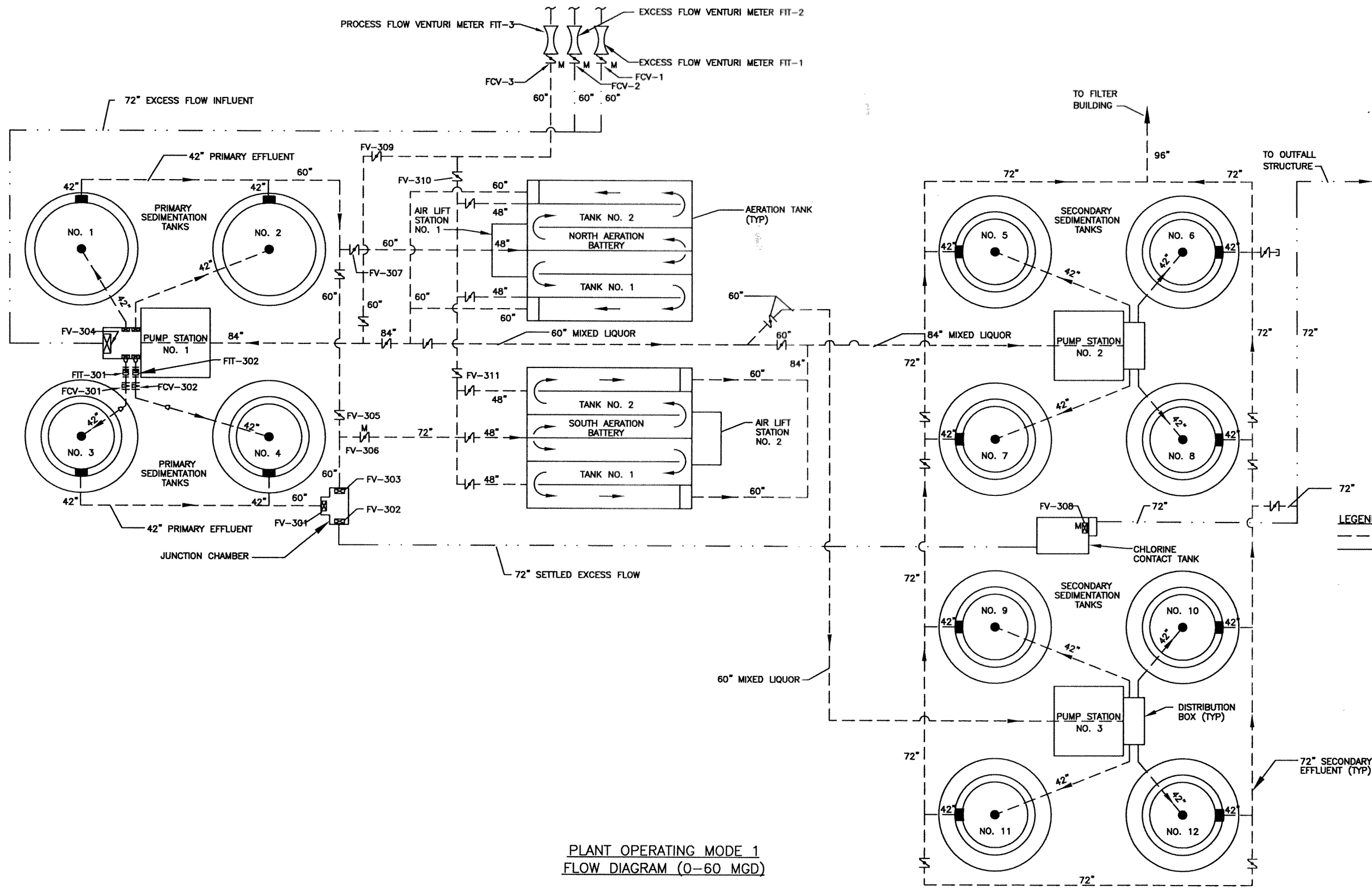
- T - 113 CLEARWELL
 - J - 112A PROCESS WATER PUMP
 - J - 112B PROCESS WATER PUMP
 - J - 112C PROCESS WATER PUMP
 - J - 112D PROCESS WATER PUMP
 - J - 113A BACKWASH PUMP
 - J - 113B BACKWASH PUMP
 - J - 114B CLEARWELL SAMPLE PUMP
 - J - 114C OUT FALL SAMPLE PUMP
 - M- 110 FLASH MIXER
- * VARIABLE SPEED

REVISIONS			METROPOLITAN WATER RECLAMATION DISTRICT OF GREATER CHICAGO	
NO	DATE	BY		
			PROCESS FLOW DIAGRAM CLEARWELL AND OUTFALL REPLACEMENT OF PLANT PROCESS CONTROL SYSTEM JOHN E. EGAN WATER RECLAMATION PLANT CONTRACT 98-465-2P	
DESIGNED: AJP			DRAWN: AB	CHECKED: AJP
REVIEWED: AJP			DATE: MARCH 2001	SHEET NO. P-16

Correct _____
 Engineer of Process Design

Approved _____
 Assistant Chief Engineer

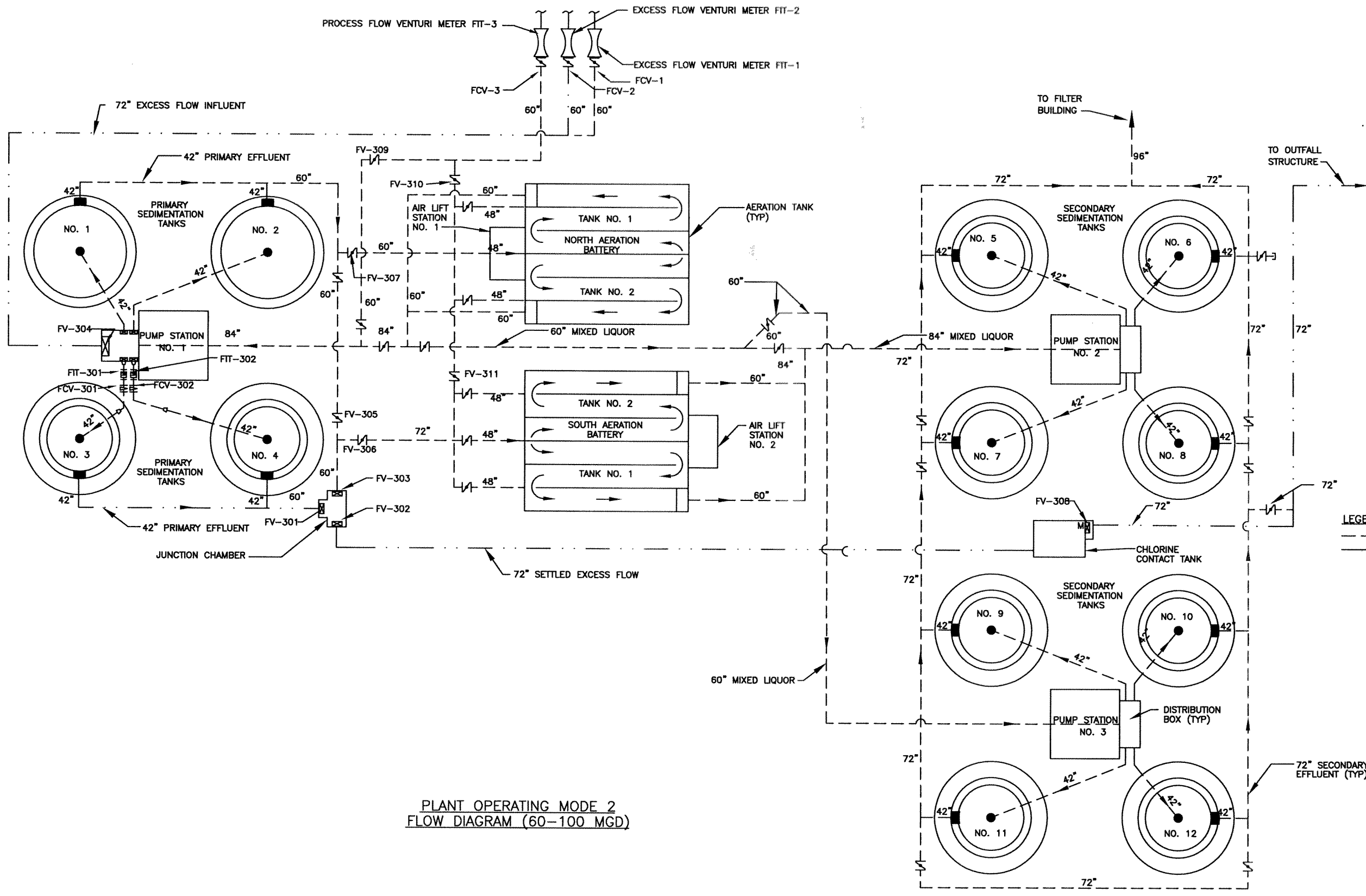
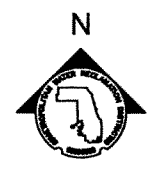
Approved _____
 Chief Engineer



PLANT OPERATING MODE 1
FLOW DIAGRAM (0-60 MGD)

LEGEND:
 - - - WASTEWATER
 ——— EXCESS FLOW

REVISIONS			METROPOLITAN WATER RECLAMATION DISTRICT OF GREATER CHICAGO					
NO	DATE	BY	PROCESS FLOW PLANT OPERATING MODE 1 - FLOW DIAGRAM REPLACEMENT OF PLANT PROCESS CONTROL SYSTEM JOHN E. EGAN WATER RECLAMATION PLANT CONTRACT 98-465-2P				Correct	
							Approved	Assistant Chief Engineer
							Approved	Chief Engineer
			DESIGNED: AJP	DRAWN: AB	CHECKED: AJP	REVIEWED: AJP	DATE: MARCH 2001	SHEET NO. P-17



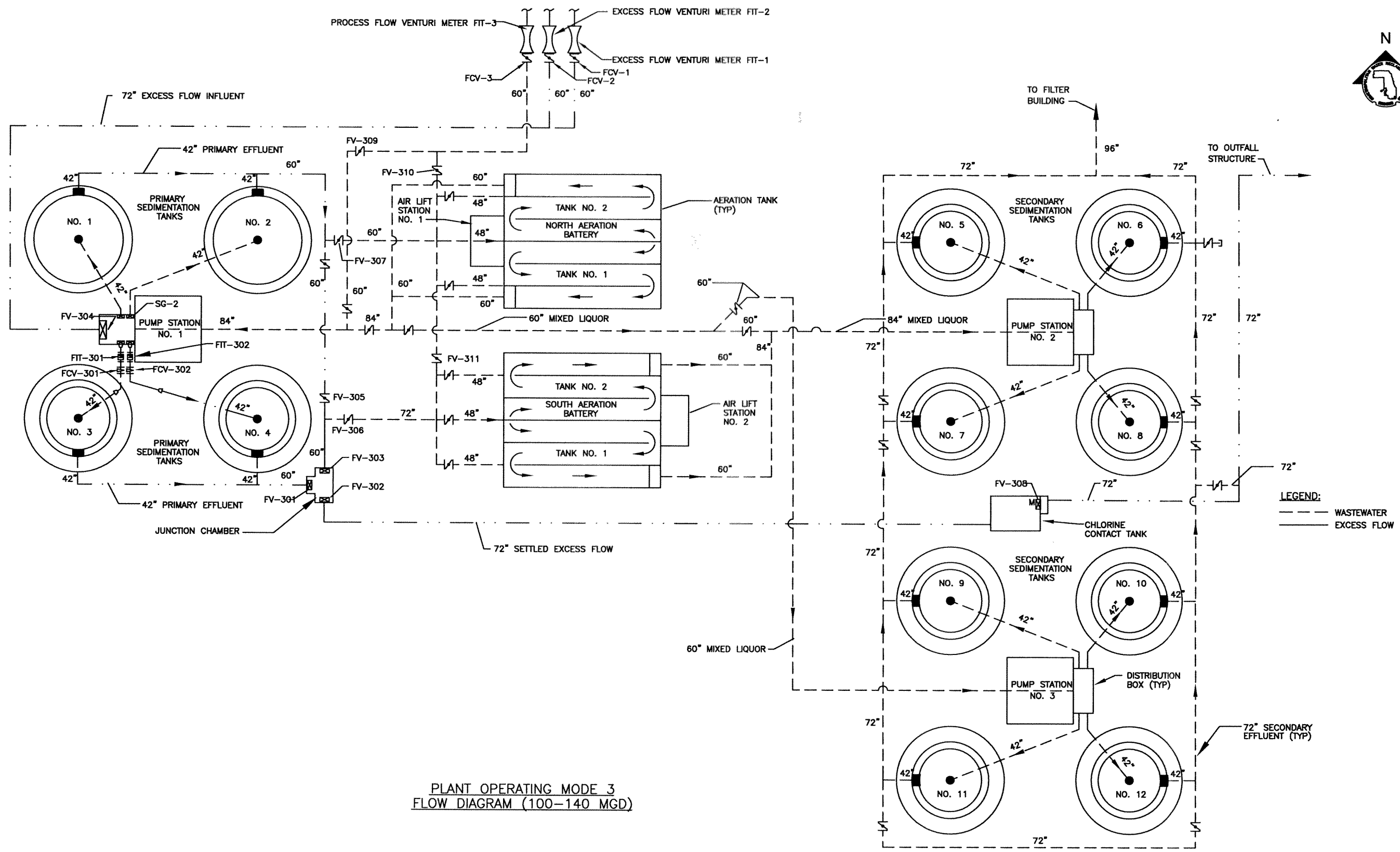
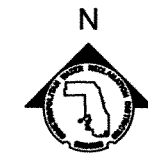
PLANT OPERATING MODE 2
FLOW DIAGRAM (60-100 MGD)

REVISIONS			METROPOLITAN WATER RECLAMATION DISTRICT OF GREATER CHICAGO	
NO	DATE	BY		
			PROCESS FLOW PLANT OPERATING MODE 2 - FLOW DIAGRAM REPLACEMENT OF PLANT PROCESS CONTROL SYSTEM JOHN E. EGAN WATER RECLAMATION PLANT CONTRACT 98-465-2P	
DESIGNED: AJP			DRAWN: AB	CHECKED: AJP
REVIEWED: AJP			DATE: MARCH 2001	SHEET NO. P-18

Correct _____
 Engineer of Process Design

Approved _____
 Assistant Chief Engineer

Approved _____
 Chief Engineer



PLANT OPERATING MODE 3
FLOW DIAGRAM (100-140 MGD)

REVISIONS			METROPOLITAN WATER RECLAMATION DISTRICT OF GREATER CHICAGO	
NO	DATE	BY		
			PROCESS FLOW PLANT OPERATING MODE 3 - FLOW DIAGRAM REPLACEMENT OF PLANT PROCESS CONTROL SYSTEM JOHN E. EGAN WATER RECLAMATION PLANT CONTRACT 98-465-2P	
DESIGNED: AJP			DRAWN: AB	CHECKED: AJP
REVIEWED: AJP			DATE: MARCH 2001	SHEET NO. P-19

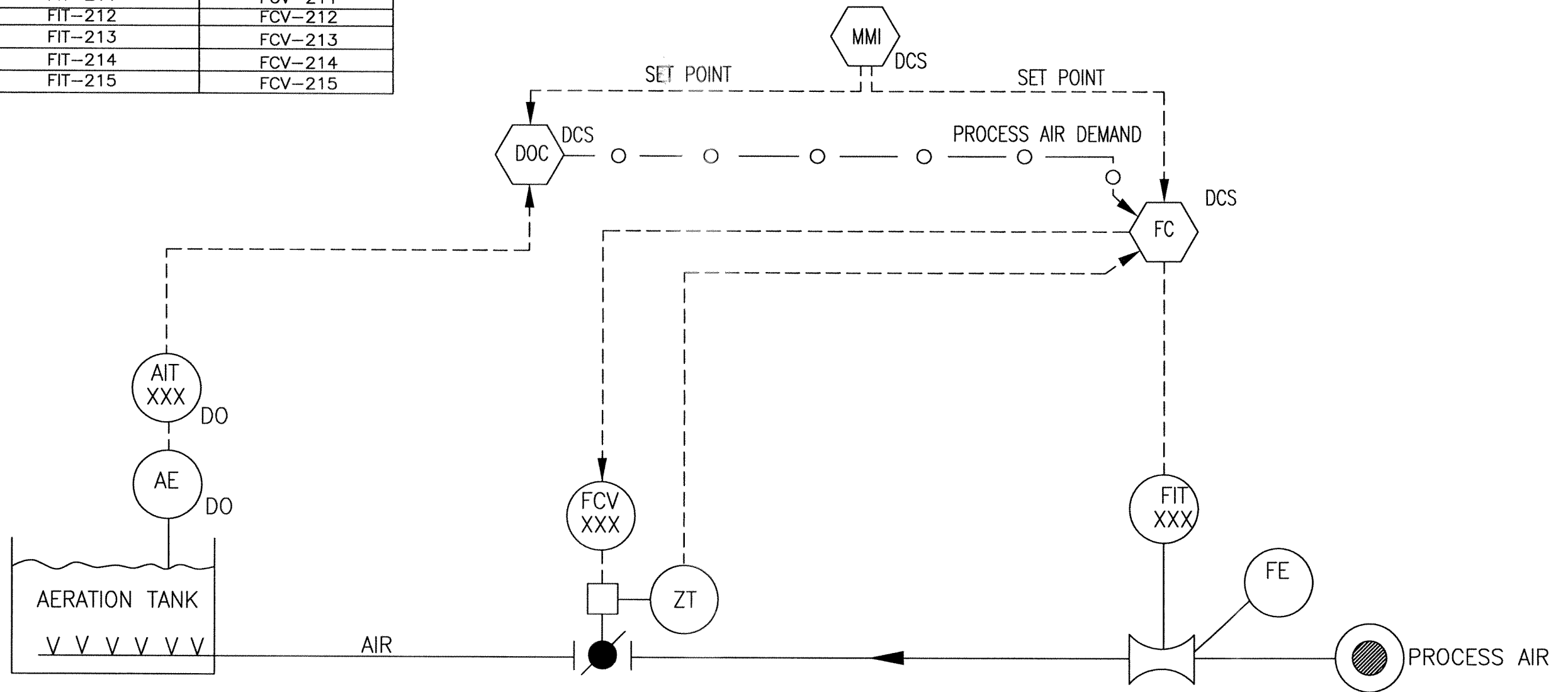
Correct
Engineer of Process Design

Approved
Assistant Chief Engineer

Approved
Chief Engineer

DISSOLVED OXYGEN LOOPS

PROBE	FLOW TRANSMITTER	VALVE
AIT-202	FIT-202	FCV-202
AIT-203	FIT-203	FCV-203
AIT-204	FIT-204	FCV-204
AIT-206	FIT-205	FCV-205
AIT-208	FIT-206	FCV-206
AIT-209	FIT-207	FCV-207
AIT-217	FIT-210	FCV-210
AIT-218	FIT-211	FCV-211
AIT-220	FIT-212	FCV-212
AIT-221	FIT-213	FCV-213
AIT-223	FIT-214	FCV-214
AIT-224	FIT-215	FCV-215

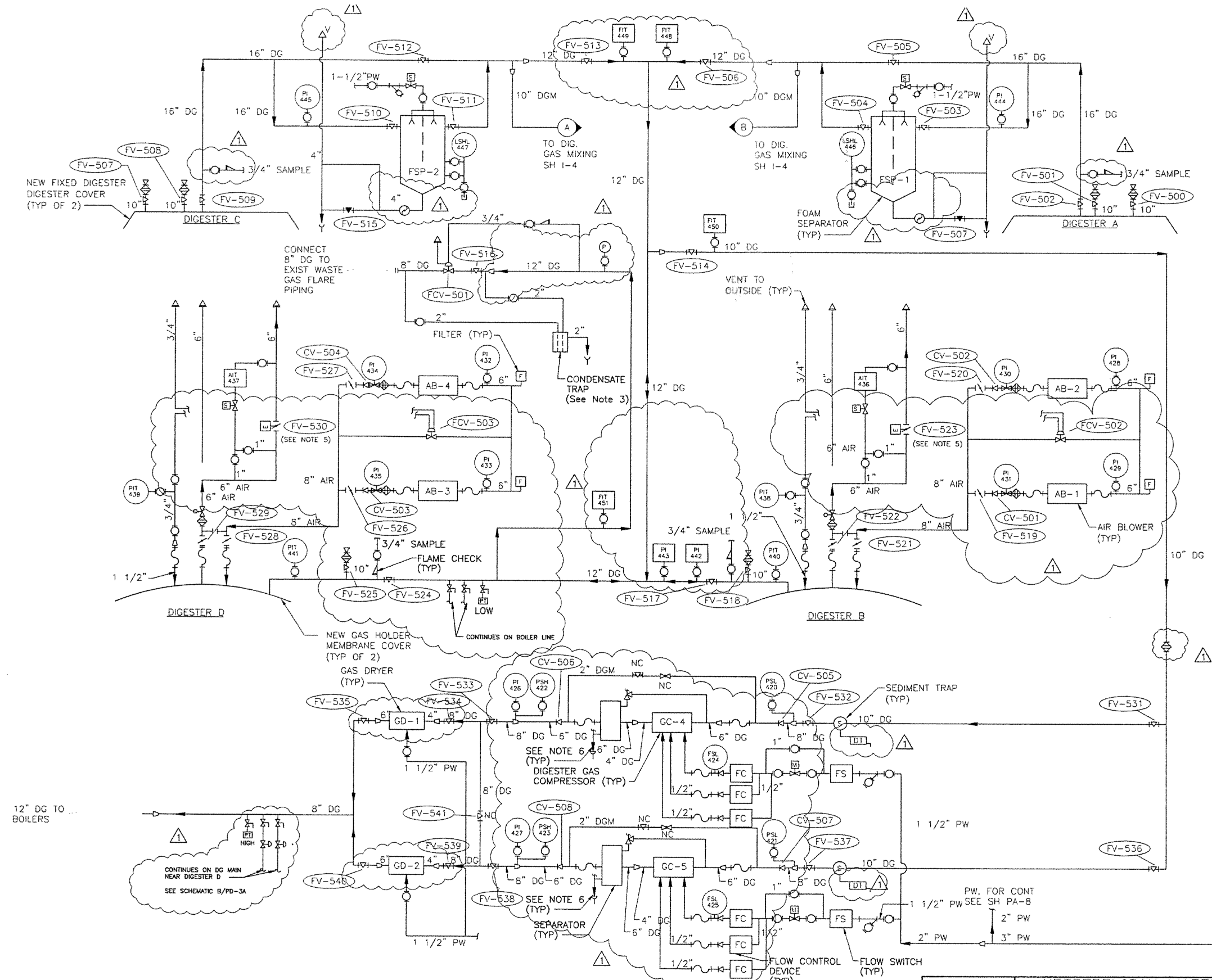


LEGEND

- o-o- SOFTWARE LINK
 - - - NEW CONTROL SIGNALS
 - — — EXISTING PIPES, STRUCTURES, ETC.
 - ◇ DISTRIBUTED CONTROL SYSTEM
 - ◇(DOC) DISSOLVED OXYGEN CONTROLLER (PART OF DCS)
 - ◇(FC) FLOW CONTROLLER (PART OF DCS)
 - ZT VALVE POSITION TRANSMITTER
 - FCV FLOW CONTROL VALVE
 - AE DISSOLVED OXYGEN PROBE
 - AIT DISSOLVED OXYGEN TRANSMITTER
 - FIT FLOW INDICATOR TRANSMITTER
 - MMI MAIN MACHINE INTERFACE
 - FE FLOW ELEMENT
- REFER ALSO TO P-1 FOR SYMBOLS

TYPICAL CASCADE CONTROL LOOP FOR DISSOLVED OXYGEN CONTROL

REVISIONS			METROPOLITAN WATER RECLAMATION DISTRICT OF GREATER CHICAGO						
NO	DATE	BY	CONTROL LOOP DIAGRAM						
			DISSOLVED OXYGEN				Correct Engineer of Process Design		
			REPLACEMENT OF PLANT PROCESS CONTROL SYSTEM				Approved Assistant Chief Engineer		
			JOHN E. EGAN WATER RECLAMATION PLANT				Approved Chief Engineer		
			CONTRACT 98-465-2P						
DESIGNED: AJP		DRAWN: AB		CHECKED: AJP		REVIEWED: AJP		DATE: MARCH 2001	SHEET NO. P-20



- Notes:
1. Drip traps shall be provided at all low points of the digester gas piping.
 2. All exterior digester gas piping to be insulated. Refer to specification for thickness and type.
 3. See Detail A sh PD-10 for condensate trap.
 4. For Plant Water system, see sh PD-10.
 5. FV-523 and FV-530 are covered in Section 2-6 of specification 15100.
 6. Hardpipe drain and seal to FD, install vent to roof.

**BUILT AS SHOWN
EXCEPT AS NOTED**

Robert Walker 8/25/05
Contractor

Kurt Spalletto 8/25/05
M.W.R.D. Resident Engineer



REVISIONS		
NO	DATE	BY
1	5/12/04	PDN

METROPOLITAN WATER RECLAMATION DISTRICT
OF GREATER CHICAGO

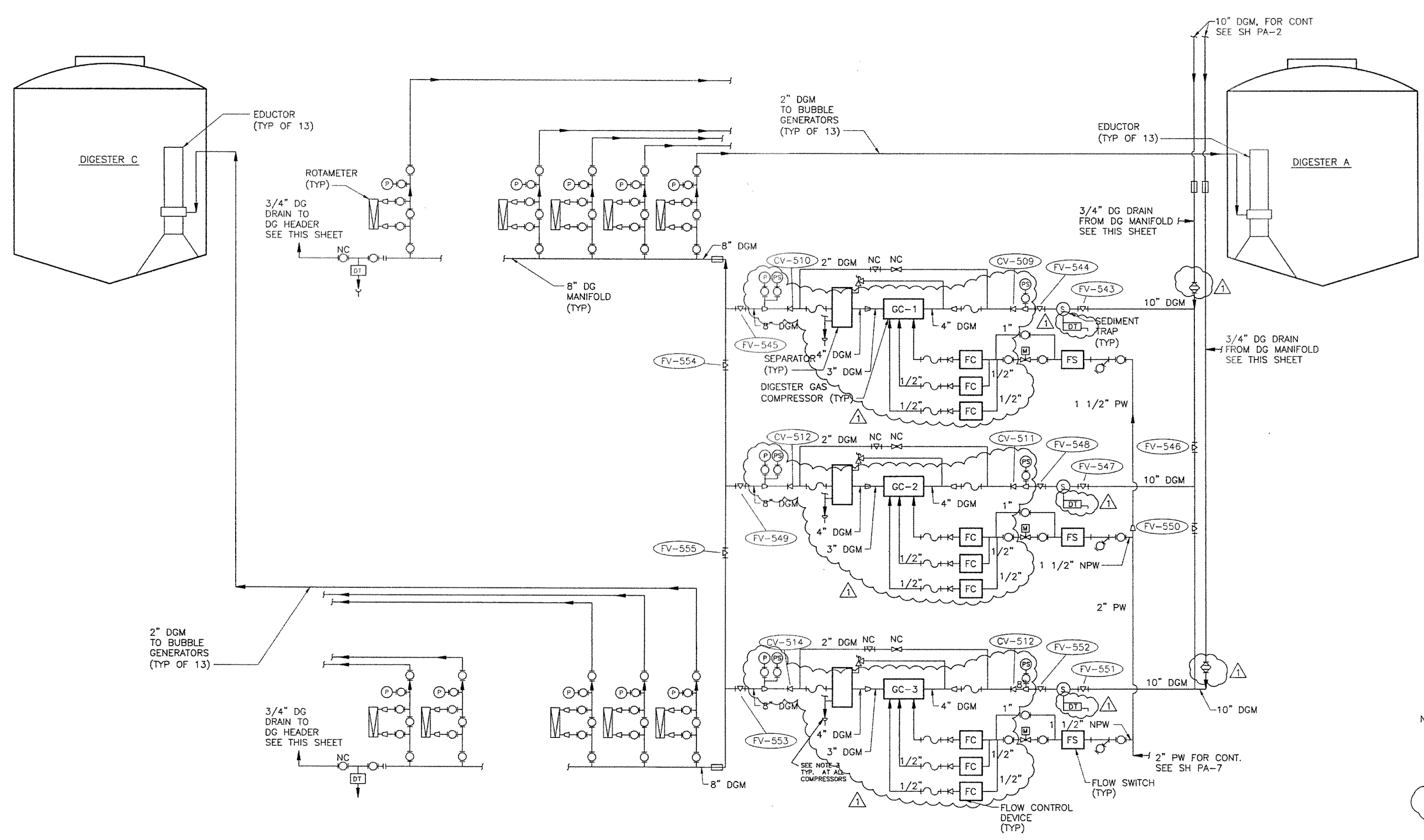
**GENERAL
GAS SCHEMATIC**

DIGESTER FACILITY IMPROVEMENTS
JOHN E. EGAN WATER RECLAMATION PLANT
CONTRACT 94-453-2P

Correct _____
Engineer of Process Design

Approved _____
Assistant Chief Engineer

Approved _____
Chief Engineer



- NOTES:
1. Drip traps shall be provided at all low points of the digester gas piping.
 2. For Plant Water system see sh PD-10.
 3. Hardpipe drain and seal to FD install vent to roof

**BUILT AS SHOWN
EXCEPT AS NOTED**

Kent A. Paletto 8/25/05
Contractor

Kent A. Paletto 8/25/05
M.W.R.D. Resident Engineer



REVISIONS		
NO	DATE	BY
1	4/12/04	PDN

METROPOLITAN WATER RECLAMATION DISTRICT
OF GREATER CHICAGO

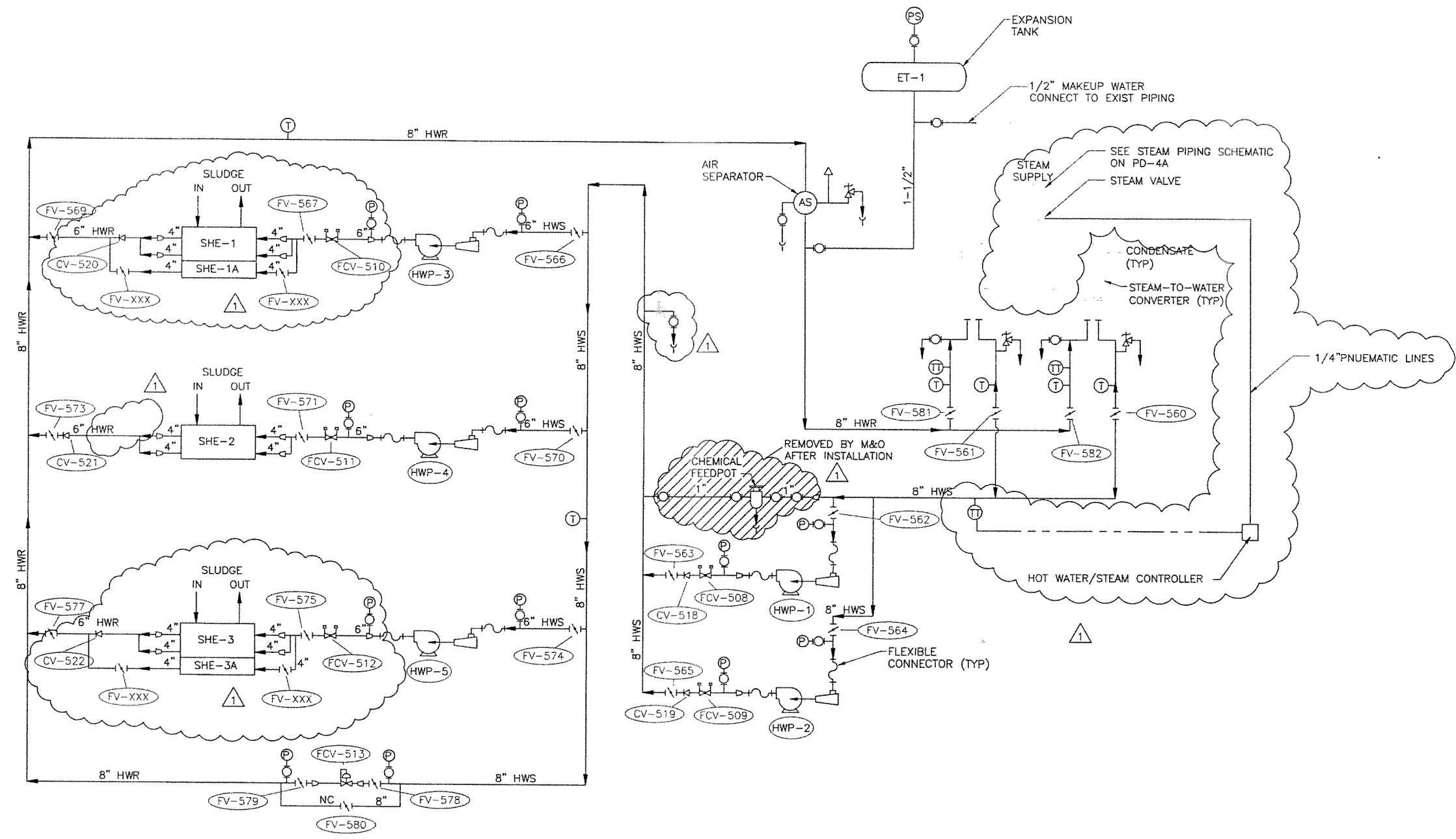
**GENERAL
GAS MIXING SCHEMATIC**

DIGESTER FACILITY IMPROVEMENTS
JOHN E. EGAN WATER RECLAMATION PLANT
CONTRACT 94-453-2P

Correct
Engineer of Process Design

Approved
Assistant Chief Engineer

Approved
Chief Engineer



- General Notes:
1. Unless otherwise indicated, all drain valves shall be 3/4" with hose connection.
 2. All relief valves shall be piped to floor drains. Pipe size to match valve discharge size.
 3. Provide all low points in piping system with a 3/4" drain valves and all high points with a 3/4" manual air vent.
 4. All hangers, brackets, or braces for heating water piping may not be indicated on the drawings. Refer to the specifications for support requirements.
 5. All heating water piping shall be insulated. Refer to specifications for thickness.

**BUILT AS SHOWN
EXCEPT AS NOTED**

Patricia Huber 8/25/05
Contractor

Kurt Appaletto 8/25/05
M.W.R.D. Resident Engineer

REVISIONS		
NO	DATE	BY
1	4/12/04	PDN

METROPOLITAN WATER RECLAMATION DISTRICT
OF GREATER CHICAGO

**GENERAL
HEATING WATER SCHEMATIC**

DIGESTER FACILITY IMPROVEMENTS
JOHN E. EGAN WATER RECLAMATION PLANT
CONTRACT 94-453-2P

DESIGNED: DWL DRAWN: JRC CHECKED: RML REVIEWED: PRR DATE: September 1999

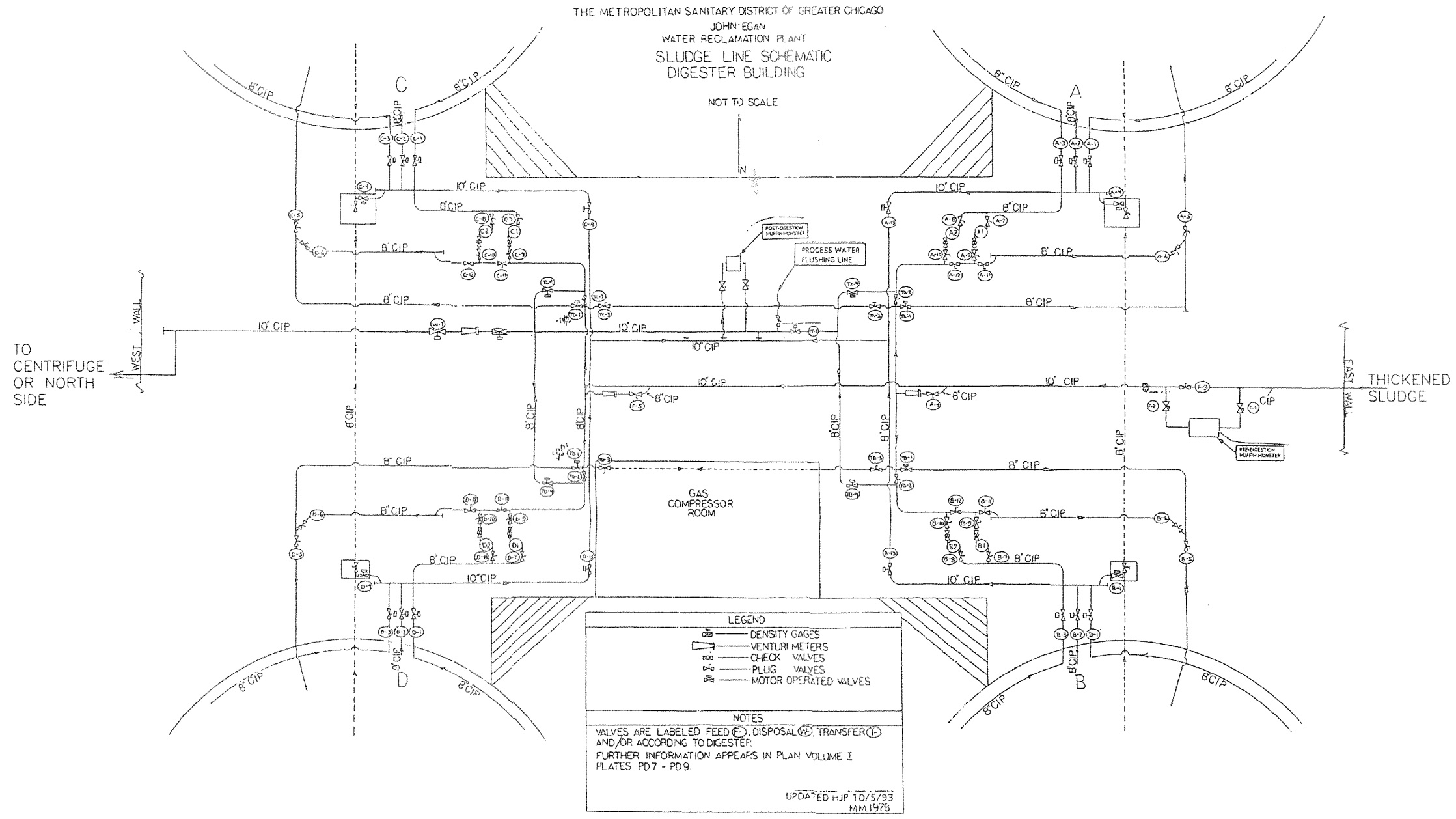
Correct
Engineer of Process Design

Approved
Assistant Chief Engineer

Approved
Chief Engineer

SHEET NO. PA-9A



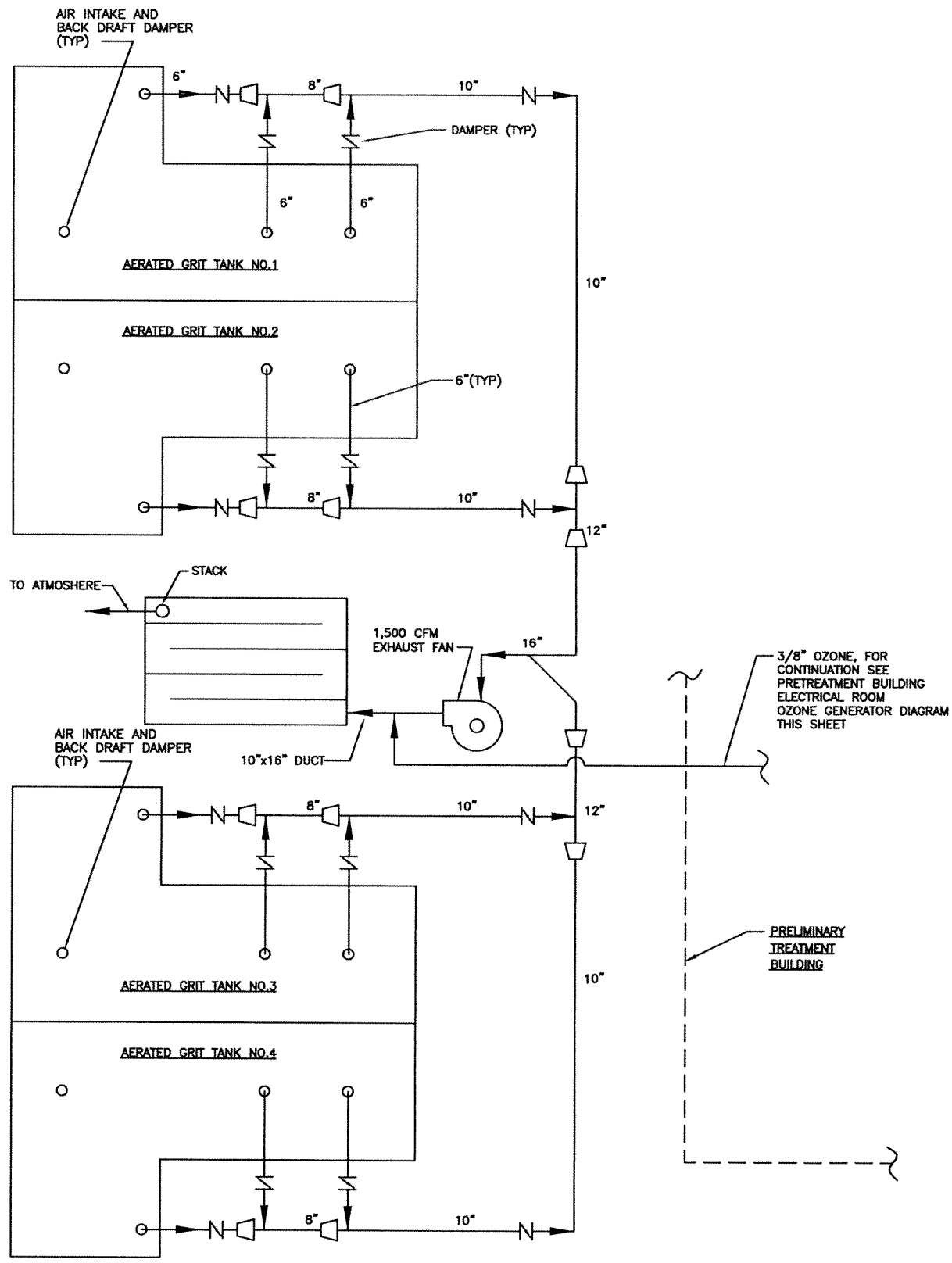


Note:
This drawing is a reproduction of a schematic located at the facility. Valve labels presented in this schematic are referred to in Specification Section 01043. Contractor shall verify in the field as necessary.

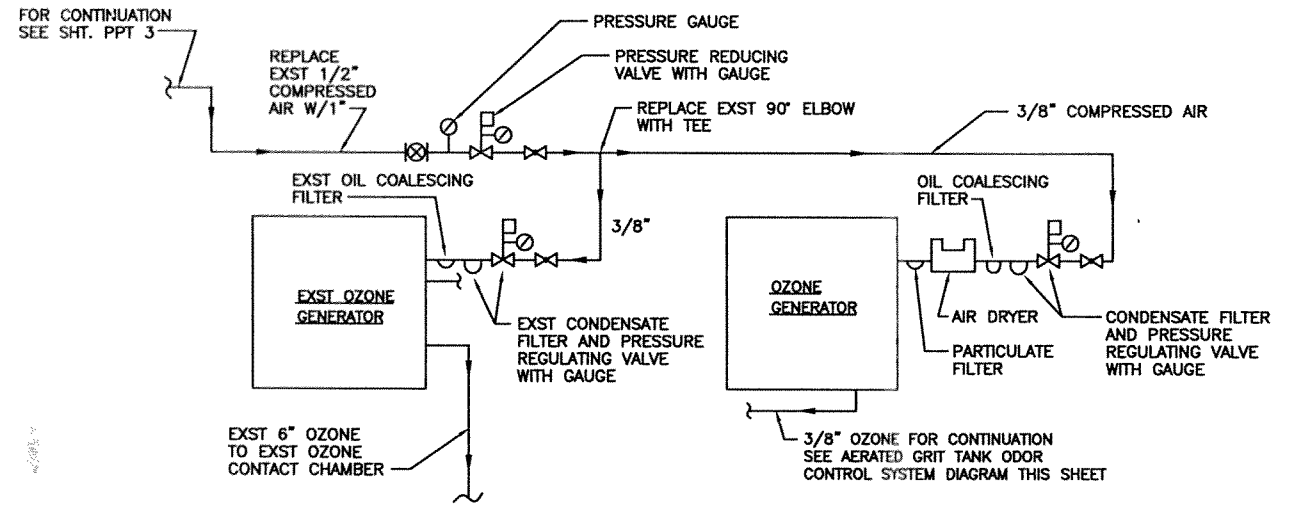
Paul R. ...
11/30/99
11/30/99



REVISIONS			METROPOLITAN WATER RECLAMATION DISTRICT OF GREATER CHICAGO		GENERAL EXISTING SLUDGE LINE SCHEMATIC	
NO	DATE	BY				
			DIGESTER FACILITY IMPROVEMENTS JOHN E. EGAN WATER RECLAMATION PLANT CONTRACT 94-453-2P		Correct <i>Thomas E. ...</i> Engineer of Process/Design	
					Approved <i>John T. ...</i> Assistant Chief Engineer	
			DESIGNED: DRAWN: CMM CHECKED: RML REVIEWED: PRR DATE: September 1999		Approved <i>John P. ...</i> Chief Engineer	
					SHEET NO. PA-10	



AERATED GRIT TANK ODOR CONTROL SYSTEM DIAGRAM
NOT TO SCALE



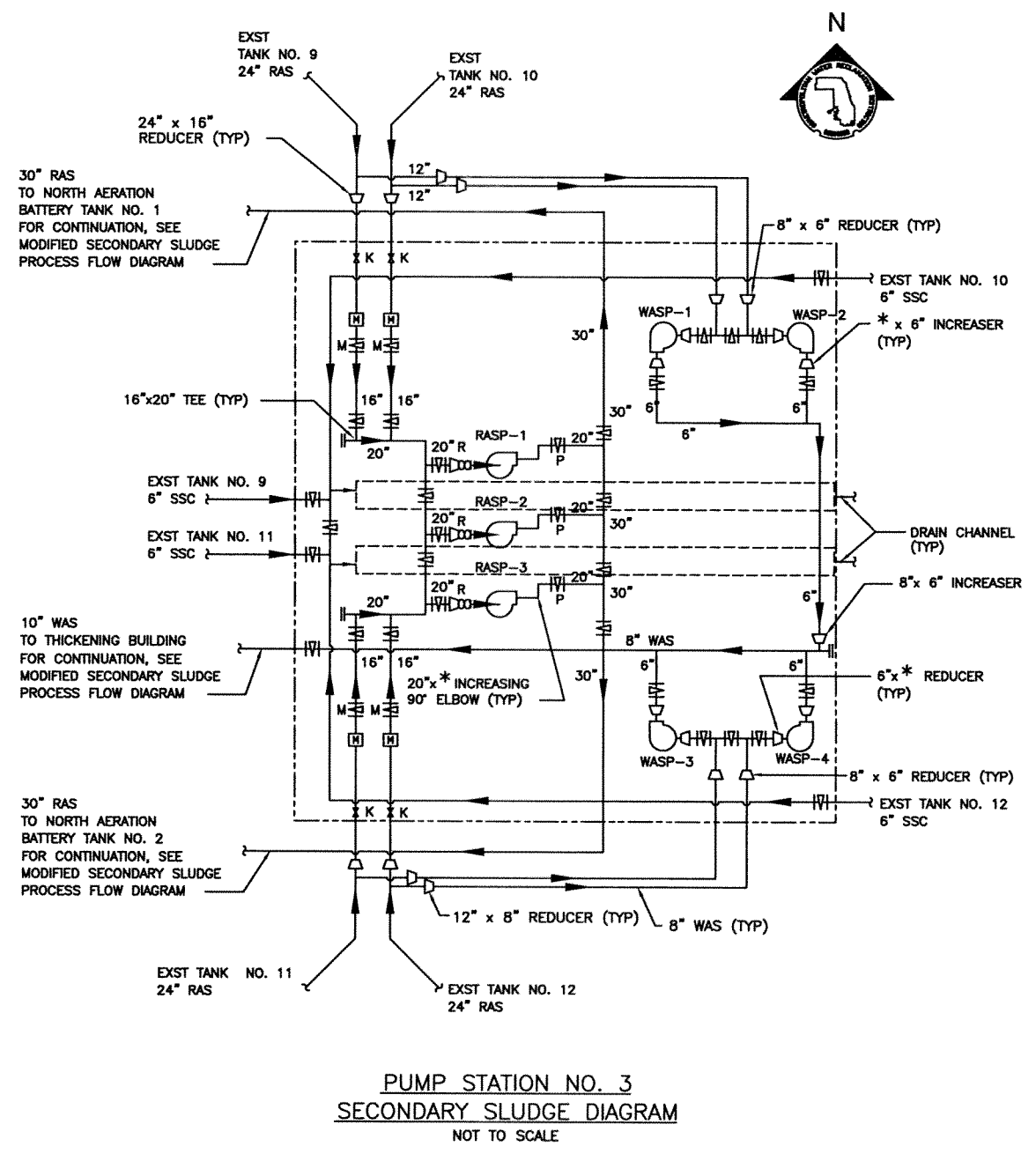
**PRETREATMENT BUILDING
ELECTRICAL ROOM OZONE
GENERATOR DIAGRAM**
NOT TO SCALE

NOTE:
PARTICULATE FILTER, AIR DRYER,
OIL COALESCING FILTER AND CONDENSATE
FILTER WITH PRESSURE REGULATING
VALVE INTEGRAL TO OZONE GENERATOR.

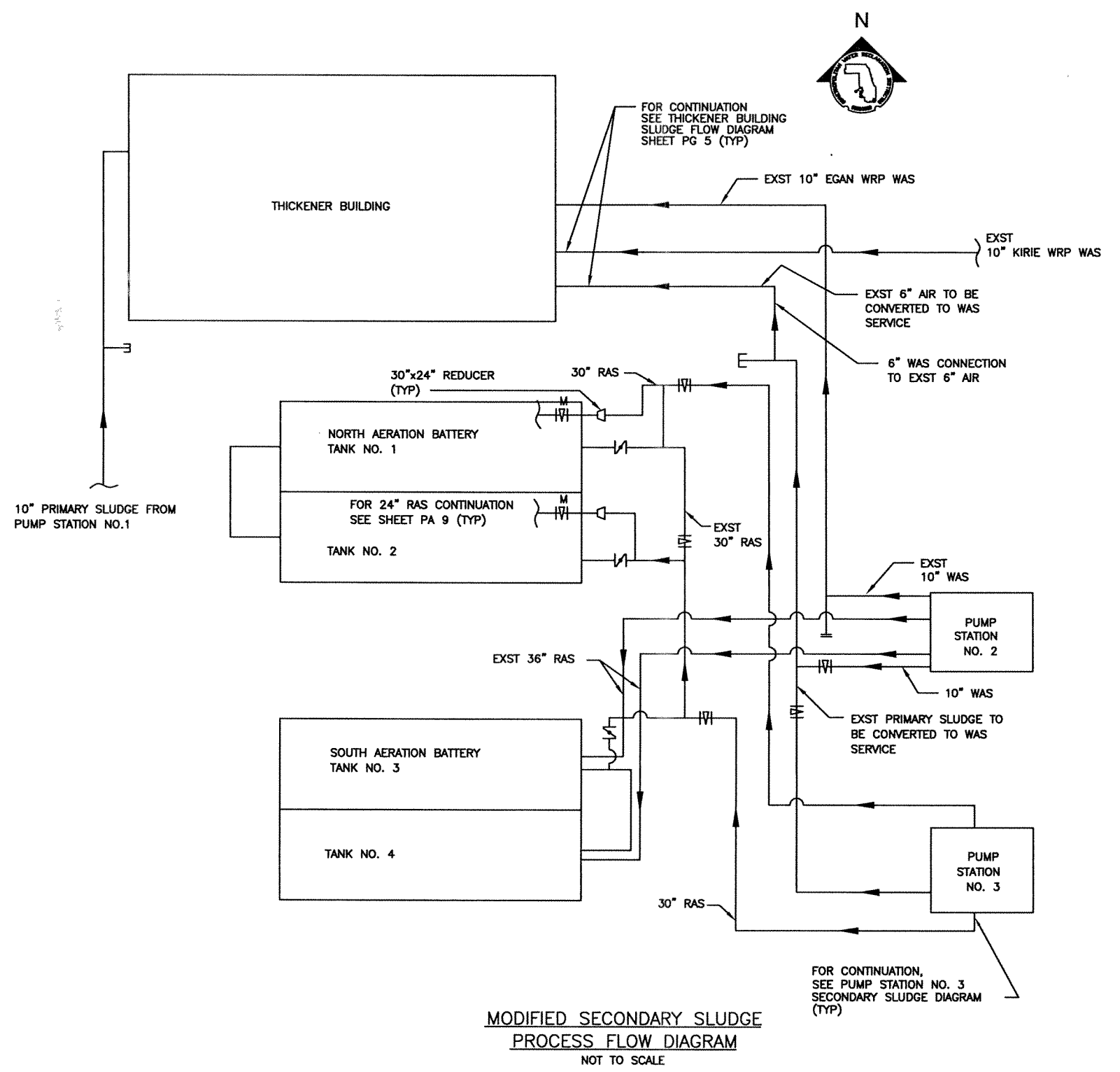
FILE: EDNR003 1:1 10/01/99 14:40 KH-A

LICENSE EXPIRES 11/30/99
SIGNED IN CHICAGO, IL 10/4/99
GREELEY AND HANSEN
ENGINEERS
100 SOUTH WACKER DRIVE
CHICAGO, ILLINOIS 60606

REVISIONS			METROPOLITAN WATER RECLAMATION DISTRICT OF GREATER CHICAGO		Correct _____ Engineer of Process Design Approved _____ Assistant Chief Engineer Approved _____ Chief Engineer		
NO	DATE	BY	GENERAL MISCELLANEOUS DIAGRAMS PLANT IMPROVEMENTS JOHN E. EGAN WATER RECLAMATION PLANT SCHAUMBURG, ILLINOIS CONTRACT 95-455-2P				
DESIGNED: KMF			DRAWN: JVT	CHECKED: JMG	REVIEWED: KJV		
DATE: JUNE 1999			SHEET NO. PG 3				



**PUMP STATION NO. 3
SECONDARY SLUDGE DIAGRAM**
NOT TO SCALE

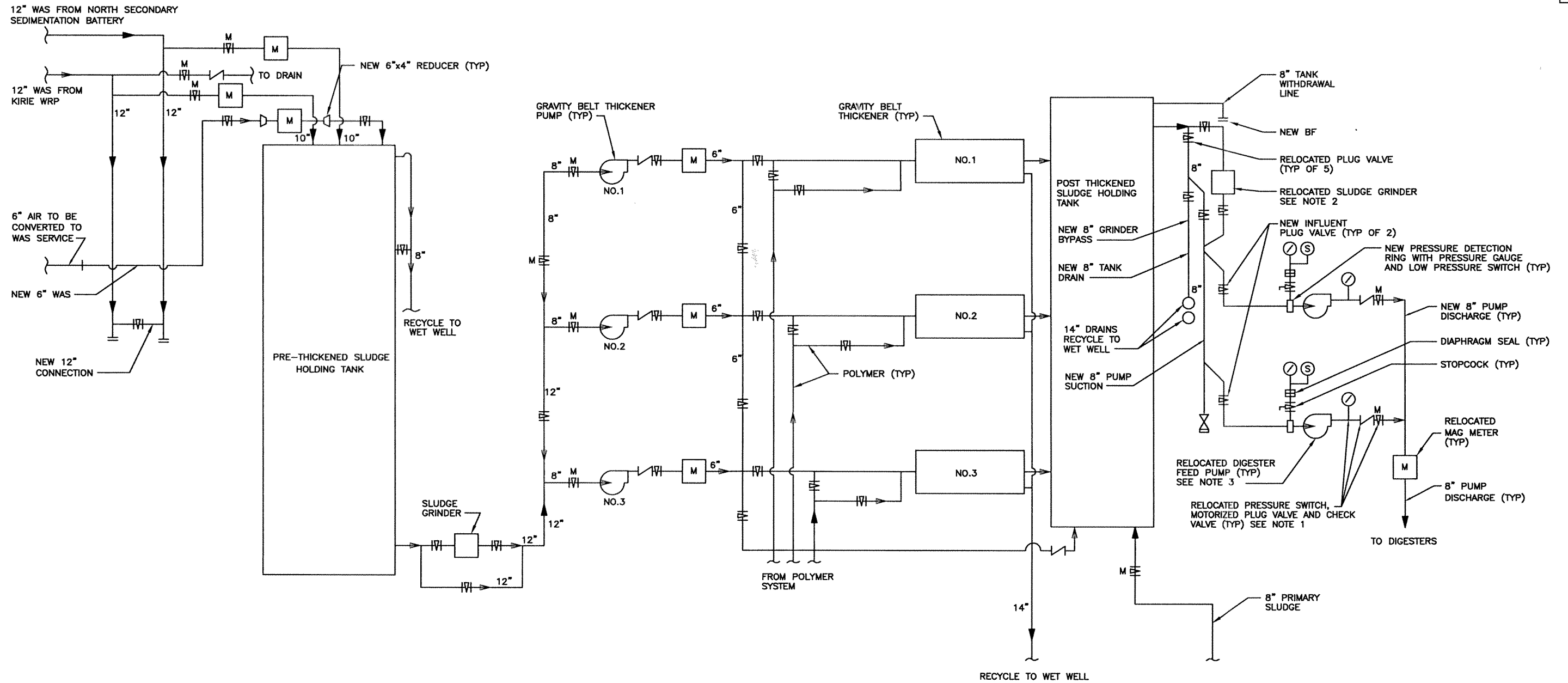


**MODIFIED SECONDARY SLUDGE
PROCESS FLOW DIAGRAM**
NOT TO SCALE

LICENSE EXPIRES 11/30/99
SIGNED IN CHICAGO, IL 10/4/99
Greeley and Hansen
Engineers
100 South Wacker Drive
Chicago, Illinois 60606

REVISIONS			METROPOLITAN WATER RECLAMATION DISTRICT OF GREATER CHICAGO		Correct Engineer of Process Design
NO	DATE	BY	GENERAL MISCELLANEOUS DIAGRAMS PLANT IMPROVEMENTS JOHN E. EGAN WATER RECLAMATION PLANT SCHAUMBURG, ILLINOIS CONTRACT 95-455-2P		
					Approved Assistant Chief Engineer
					Approved Chief Engineer
DESIGNED: JMG			DRAWN: RO		DATE: JUNE 1999
CHECKED: JMG			REVIEWED: KJV		SHEET NO. PG 4

FILE: EDNAP004 1:1 10/01/99 14:41 KRH-A



ACTIVATED SLUDGE FLOW DIAGRAM - THICKENER BUILDING
NOT TO SCALE

NOTES:

1. REUSE EXISTING PLUG VALVES, PROVIDE NEW GASKETS AND CONNECTION HARDWARE CONSISTING OF BOLTS, NUTS AND WASHERS.
2. RELOCATE EXISTING SLUDGE GRINDER.
3. RELOCATE EXISTING DIGESTER FEED PUMPS.

LICENSE EXPIRES 11/30/99
SIGNED IN CHICAGO, IL 10/4/99

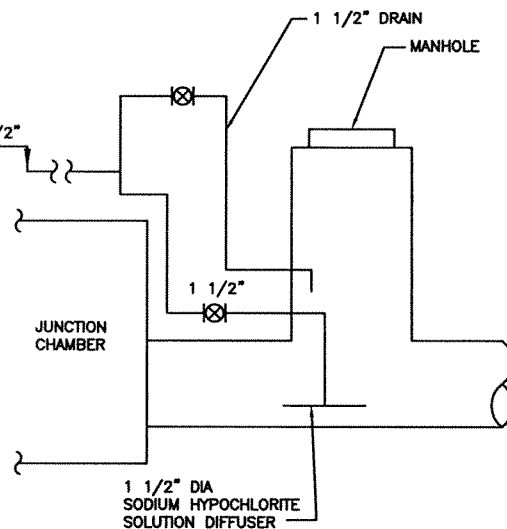
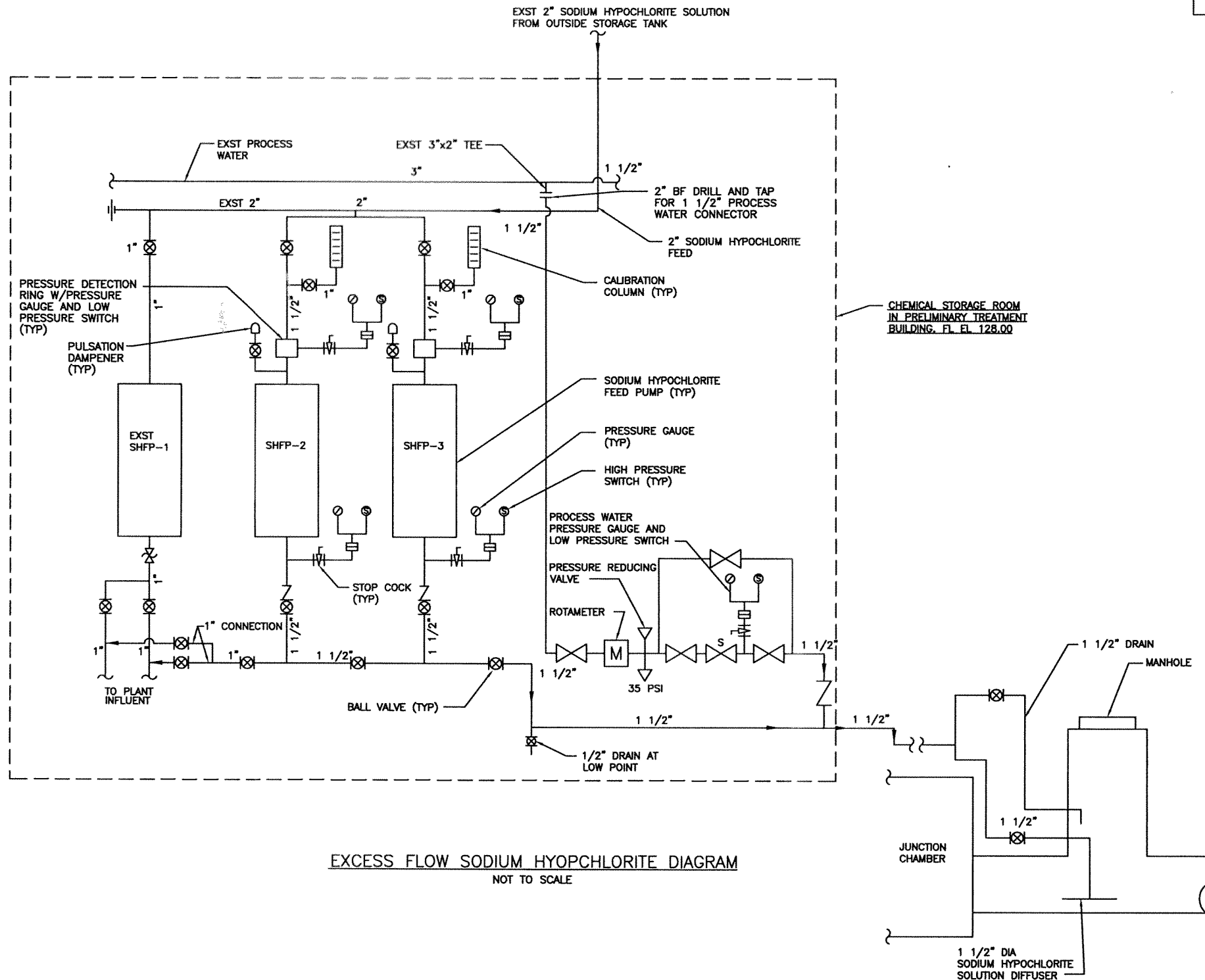
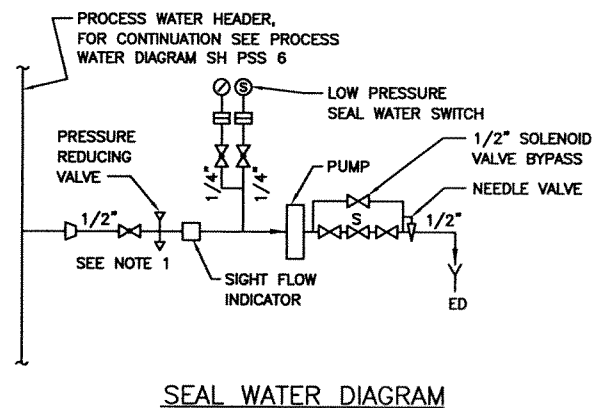
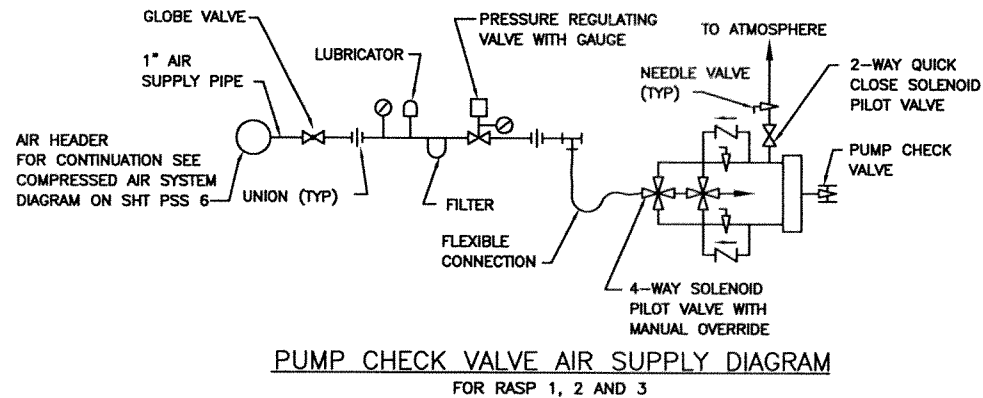
GREELEY AND HANSEN
ENGINEERS
100 SOUTH WACKER DRIVE
CHICAGO, ILLINOIS 60606

REVISIONS			METROPOLITAN WATER RECLAMATION DISTRICT OF GREATER CHICAGO	
NO	DATE	BY		
			GENERAL MISCELLANEOUS DIAGRAMS PLANT IMPROVEMENTS JOHN E. EGAN WATER RECLAMATION PLANT SCHAUMBURG, ILLINOIS CONTRACT 95-455-2P	
DESIGNED: AJM			DRAWN: AMG	
CHECKED: JMG			REVIEWED: KWJ	
DATE: JUNE 1999			SHEET NO. PG 5	

Correct
Engineer of Process Design

Approved
Assistant Chief Engineer

Approved
Chief Engineer



NOTE:
1. SET VALVE PRESSURE 5 PSI GREATER THAN SHUT OFF HEAD OF PUMP.

LICENSE DPRES 11/30/99
SIGNED IN CHICAGO, IL 10/4/99

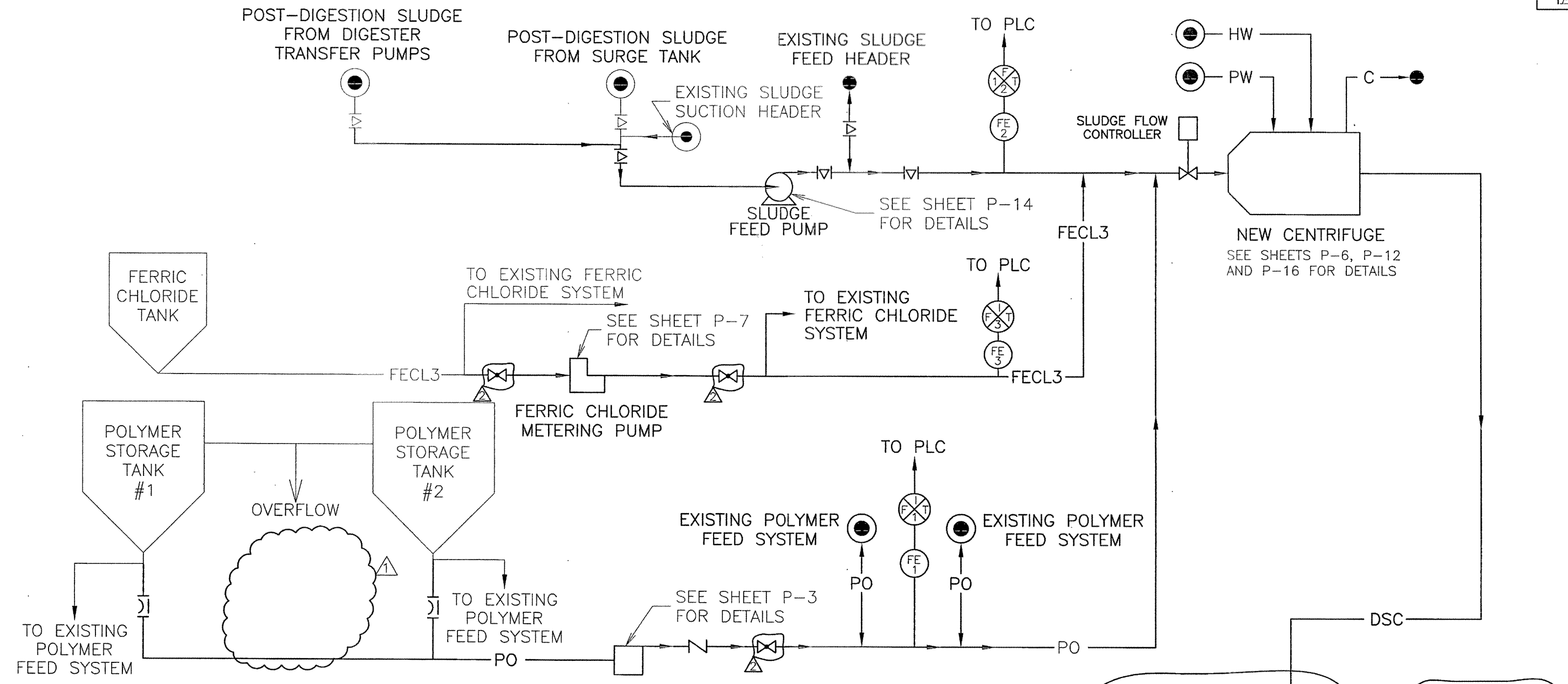
GREELEY AND HANSEN
ENGINEERS
100 SOUTH WACKER DRIVE
CHICAGO, ILLINOIS 60606

REVISIONS			METROPOLITAN WATER RECLAMATION DISTRICT OF GREATER CHICAGO	
NO	DATE	BY		
			PIPING MISCELLANEOUS DIAGRAMS PLANT IMPROVEMENTS JOHN E. EGAN WATER RECLAMATION PLANT SCHAUMBURG, ILLINOIS CONTRACT 95-455-2P	
DESIGNED: JMG			DRAWN: ADR	CHECKED: JMG
REVIEWED: KJV			DATE: JUNE 1999	SHEET NO. PG 6

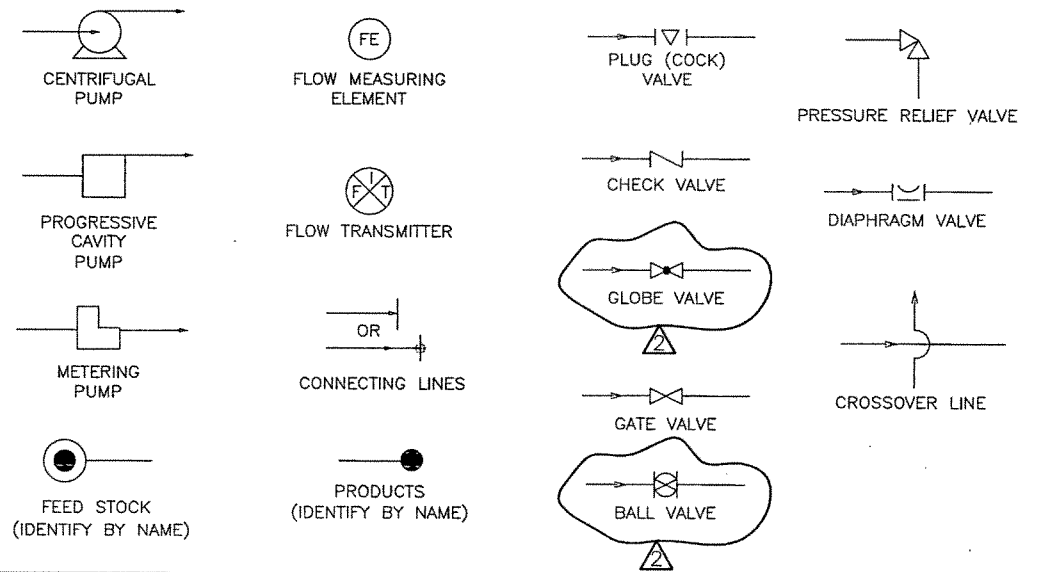
Correct _____
Engineer of Process Design

Approved _____
Assistant Chief Engineer

Approved _____
Chief Engineer



LEGEND



LINE NOMENCLATURE CODE

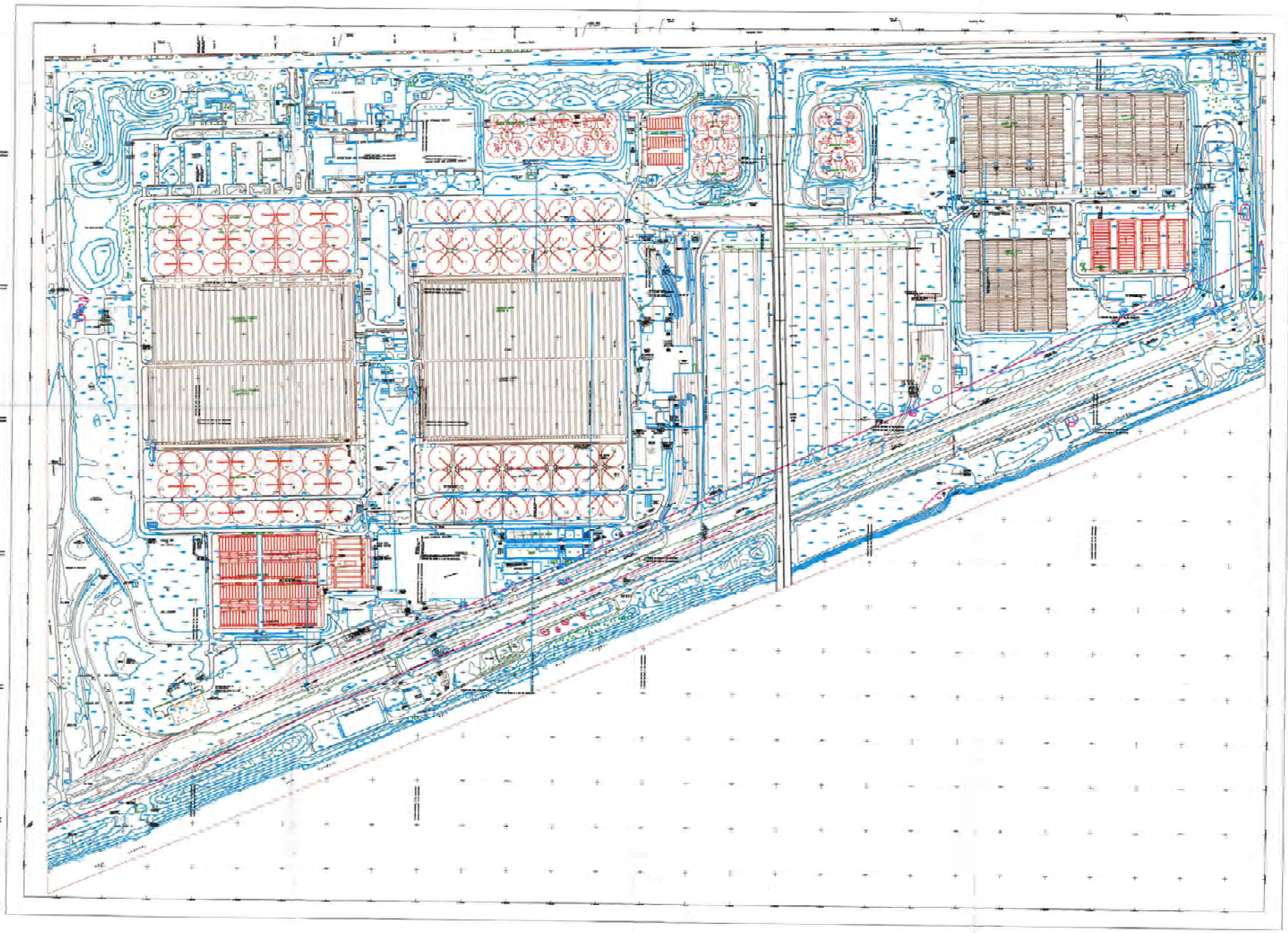
- C - CENTRATE
- DSC - DEWATERED SLUDGE CAKE
- FECL3 - FERRIC CHLORIDE
- PO - POLYMER
- PW - PROCESS WATER
- SLD - SLUDGE DIGESTED
- HW - HOT WATER
- A - AIR

**BUILT AS SHOWN
EXCEPT AS NOTED**
Macom Ind Inc. G.M.D. Toole
 Contractor
Zaid Ayala Jr. 10-27-03
 M.W.R.D. Resident Engineer

REVISIONS		
NO	DATE	BY
1	11/5/98	RFJ
2	2/28/03	MFG

METROPOLITAN WATER RECLAMATION DISTRICT
 OF GREATER CHICAGO
PROCESS FLOW DIAGRAM AND PROCESS SYMBOLS
ADDITIONAL 25 DT/D POST-DIGESTION
SLUDGE DEWATERING UNIT
JOHN E. EGAN WATER RECLAMATION PLANT
CONTRACT 96-456-2P

Correct _____
 Engineer of Process Design
 Approved _____
 Assistant Chief Engineer
 Approved _____
 Chief Engineer



STICKNEY WATER RECLAMATION PLANT

ComEd (EDISON SWITCHYARD)

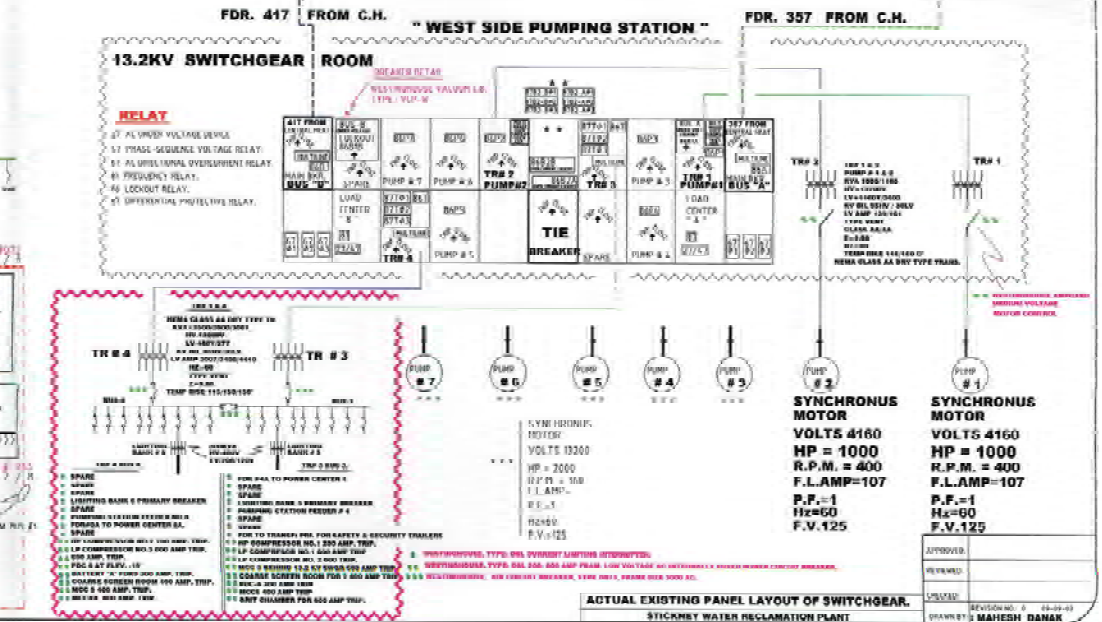
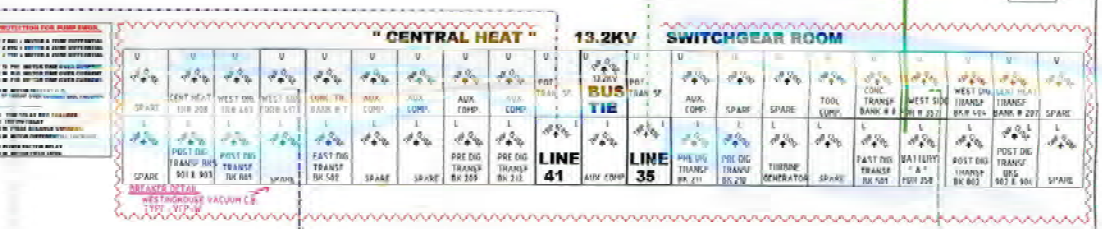
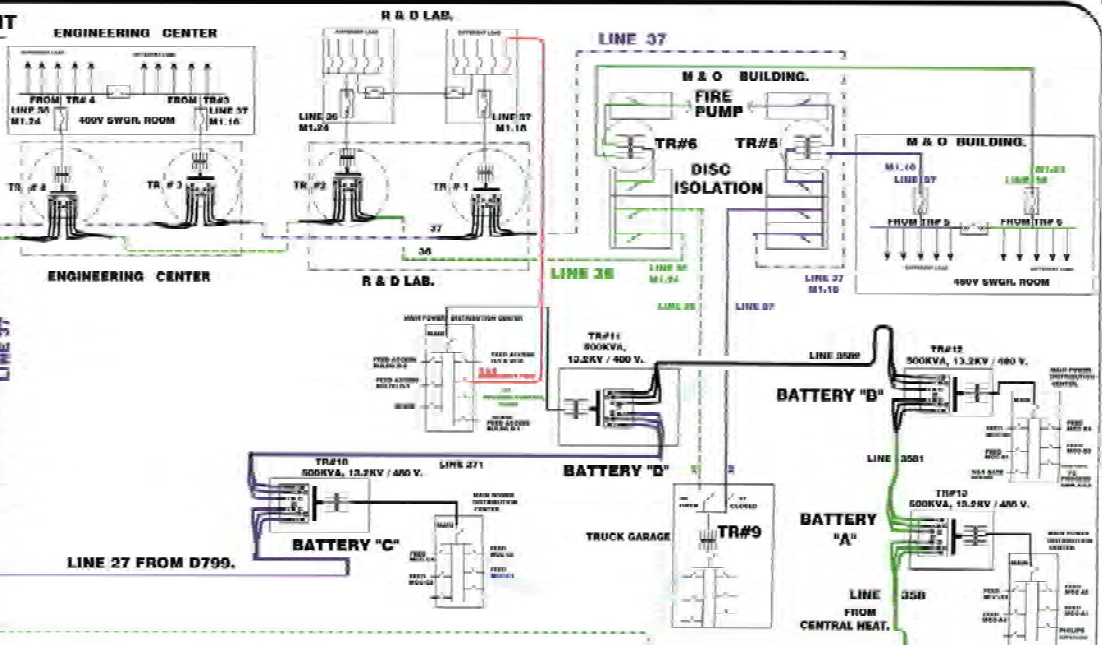
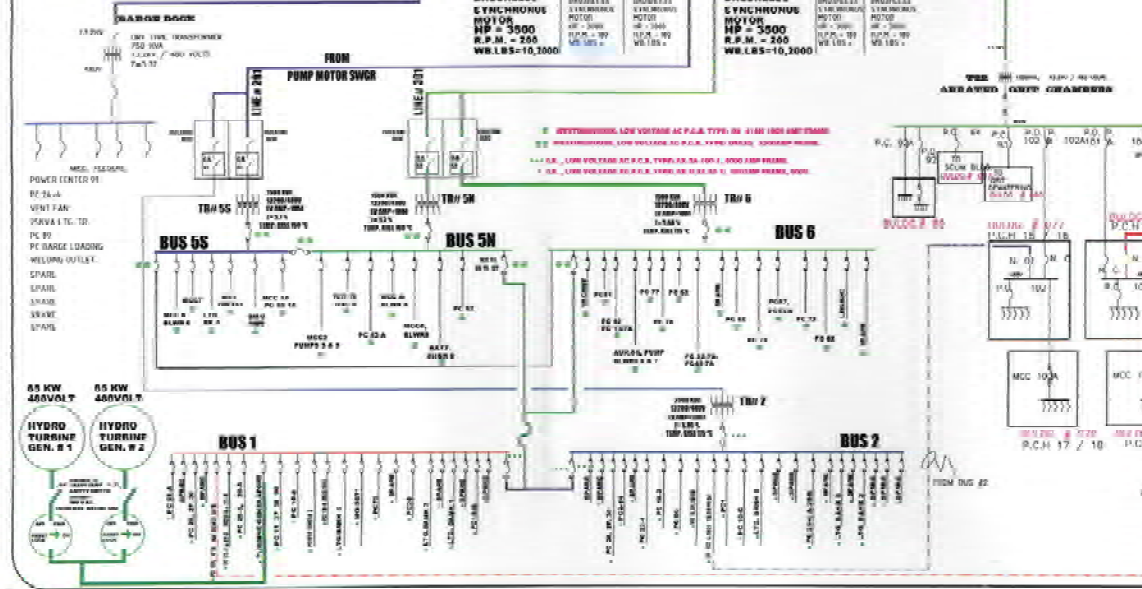
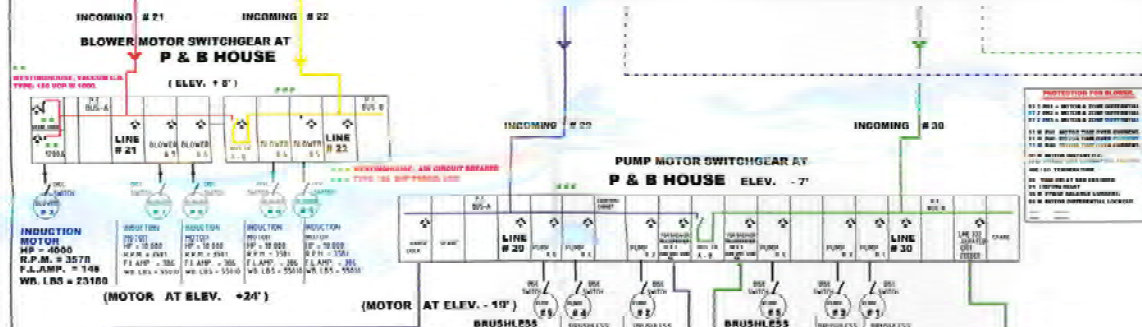
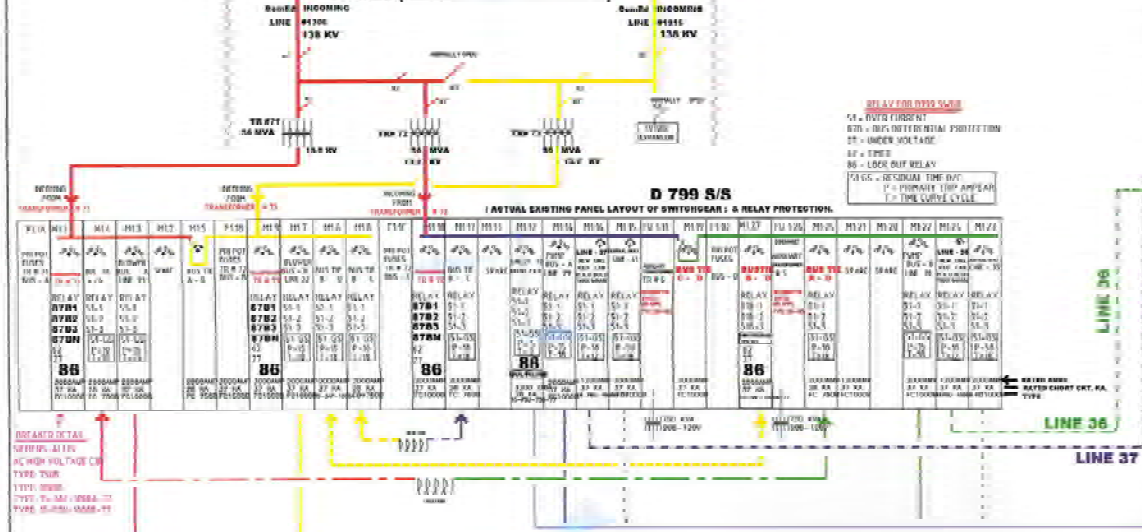


Table with columns for relay type (e.g., 88, 89, 87), settings, and descriptions. Includes a legend for relay protection symbols.

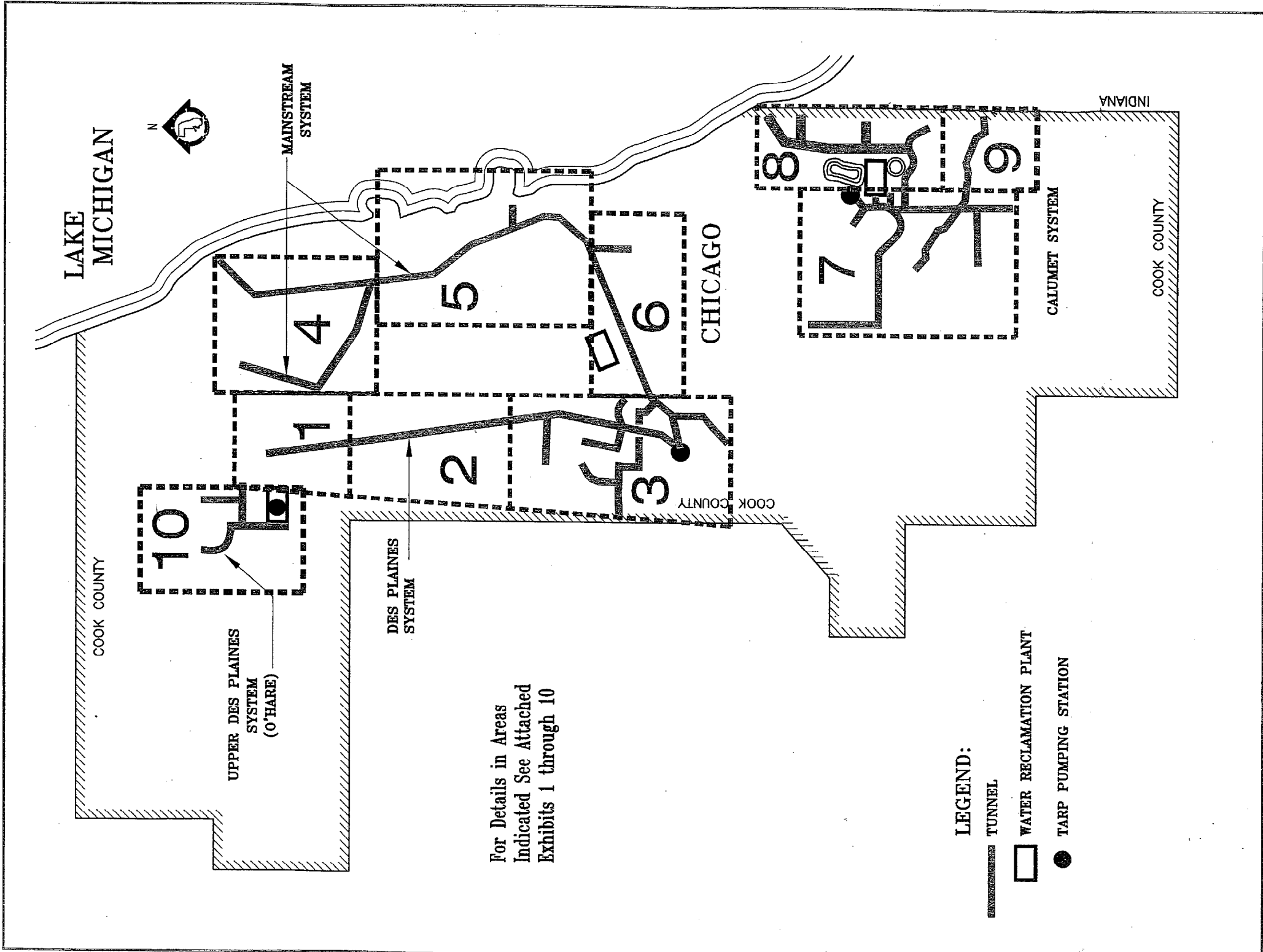
Table with columns for equipment type (e.g., TR, BATTERY), specifications, and descriptions.

Table with columns for busbar and motor specifications, including ratings and descriptions.

Table with columns for pump and motor specifications, including ratings and descriptions.

Attachment - Form 2A, Part G.6

Stickney WRP NPDES Permit Renewal
Form 2A, Parts G1 & G2



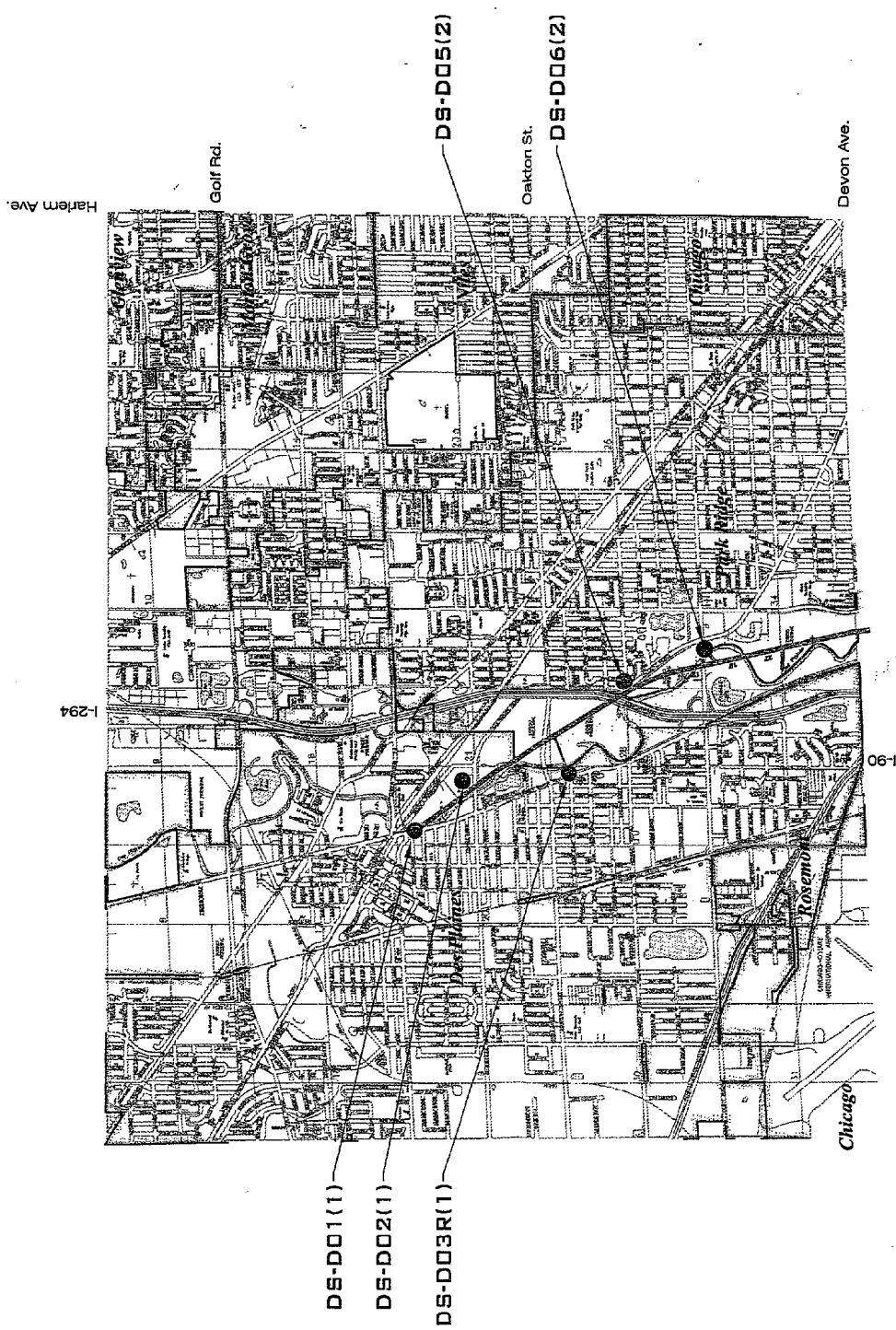
For Details in Areas
Indicated See Attached
Exhibits 1 through 10

- LEGEND:**
- TUNNEL
 - WATER RECLAMATION PLANT
 - TARP PUMPING STATION

**TARP TUNNEL SYSTEMS-KEY PLAN
FOR COMBINED SEWER OUTFALLS**

METROPOLITAN WATER RECLAMATION
DISTRICT OF GREATER CHICAGO
ENGINEERING DEPARTMENT
MVL:LS/JJK
7-05

EXHIBIT 1



DES PLAINES-NORTH MONITORED CSOs

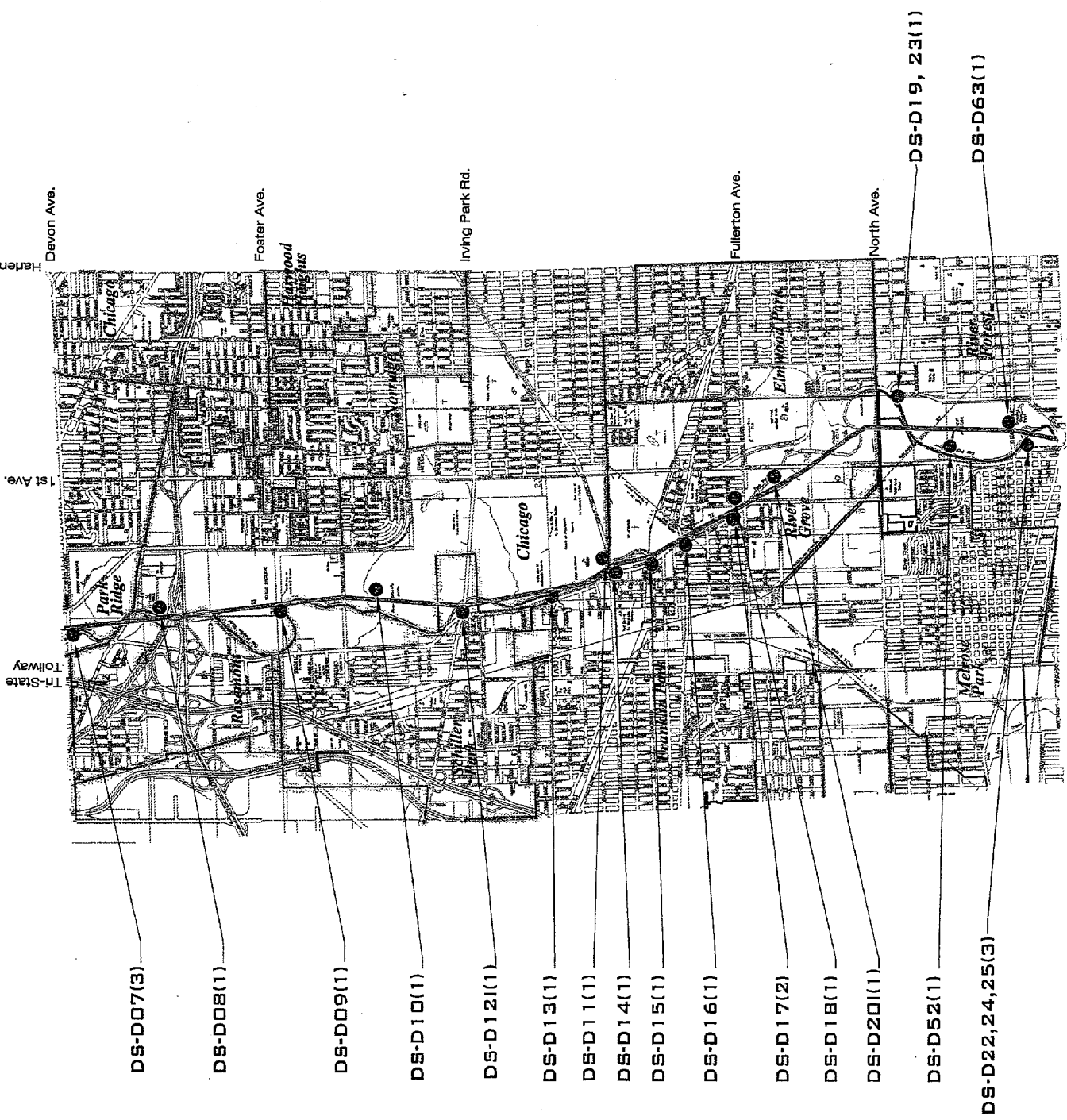
METROPOLITAN WATER RECLAMATION
DISTRICT OF GREATER CHICAGO
ENGINEERING DEPARTMENT

7-05

MVL:LS/JJK

PLANS: MRES/WRP - FILE: E:\DWG\100\FOR0111304 - 0000\100\MARSHALL\MARSHALL.dwg, 01/21/05 at 14:22

EXHIBIT 2



● DROP SHAFT (NUMBER OF MONITORED CSOs IN PARENTHESIS)

DES PLAINES - NORTH & MIDDLE MONITORED CSOs

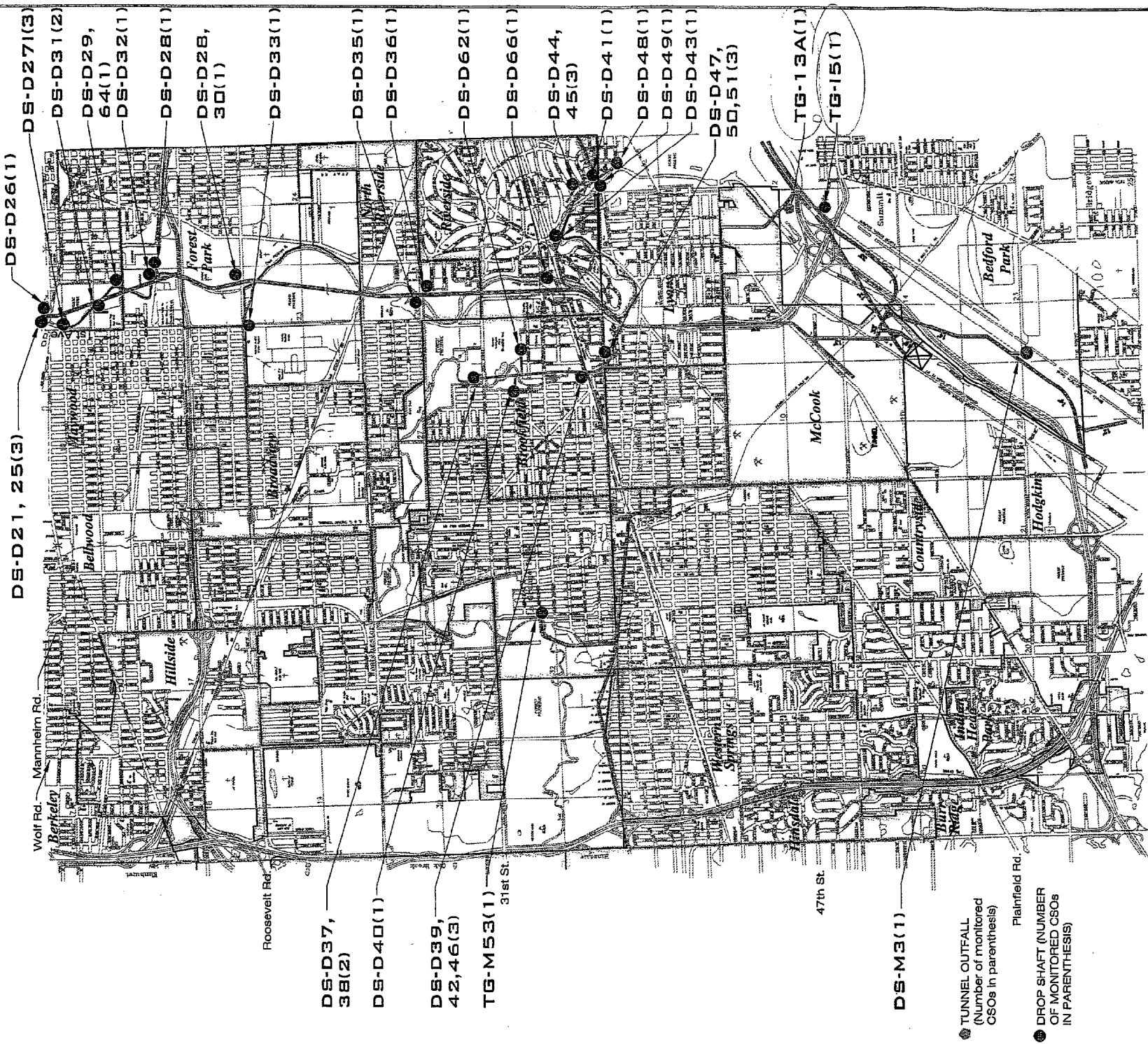
METROPOLITAN WATER RECLAMATION DISTRICT OF GREATER CHICAGO
ENGINEERING DEPARTMENT

7-05

MVL:LS/JJK

Ans el/14

EXHIBIT 3

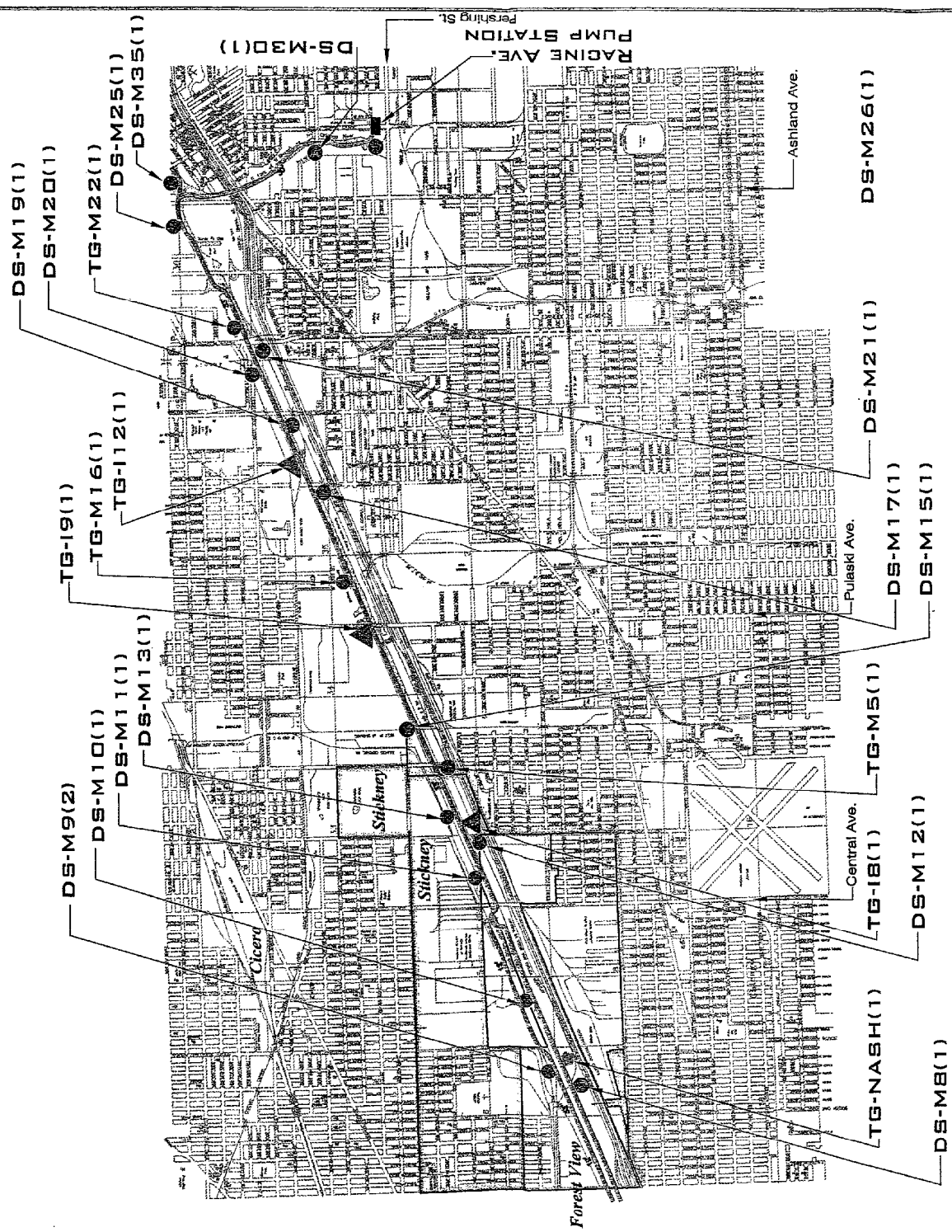


- TUNNEL OUTFALL
(Number of monitored CSOs in parenthesis)
- DROP SHAFT (NUMBER OF MONITORED CSOs IN PARENTHESIS)

MAINSTREAM - 73RD ST. TUNNEL DES PLAINES - SOUTH & MIDDLE MONITORED CSOs

METROPOLITAN WATER RECLAMATION
DISTRICT OF GREATER CHICAGO
ENGINEERING DEPARTMENT
7-05 MVL:LS/JJK

EXHIBIT 6



- DROP SHAFT (NUMBER OF MONITORED CSOs IN PARENTHESIS)
- ▲ INTERCEPTOR CONNECTION (Number of monitored CSOs in parenthesis)
- ◆ TUNNEL OUTFALL (Number of monitored CSOs in parenthesis)
- PUMPING STATION (1 monitored CSO)

METROPOLITAN WATER RECLAMATION
 DISTRICT OF GREATER CHICAGO
 ENGINEERING DEPARTMENT
 7-05 MVL:LS/JJK

MAINSTREAM - SOUTH MONITORED CSOs

REVISE DATE: 5/98; AUCG ENGINEER: MONITORED CSOs; SPECIALIST: GORDON; DATE: 07/17/05 at 1:57

1/3
 JJK